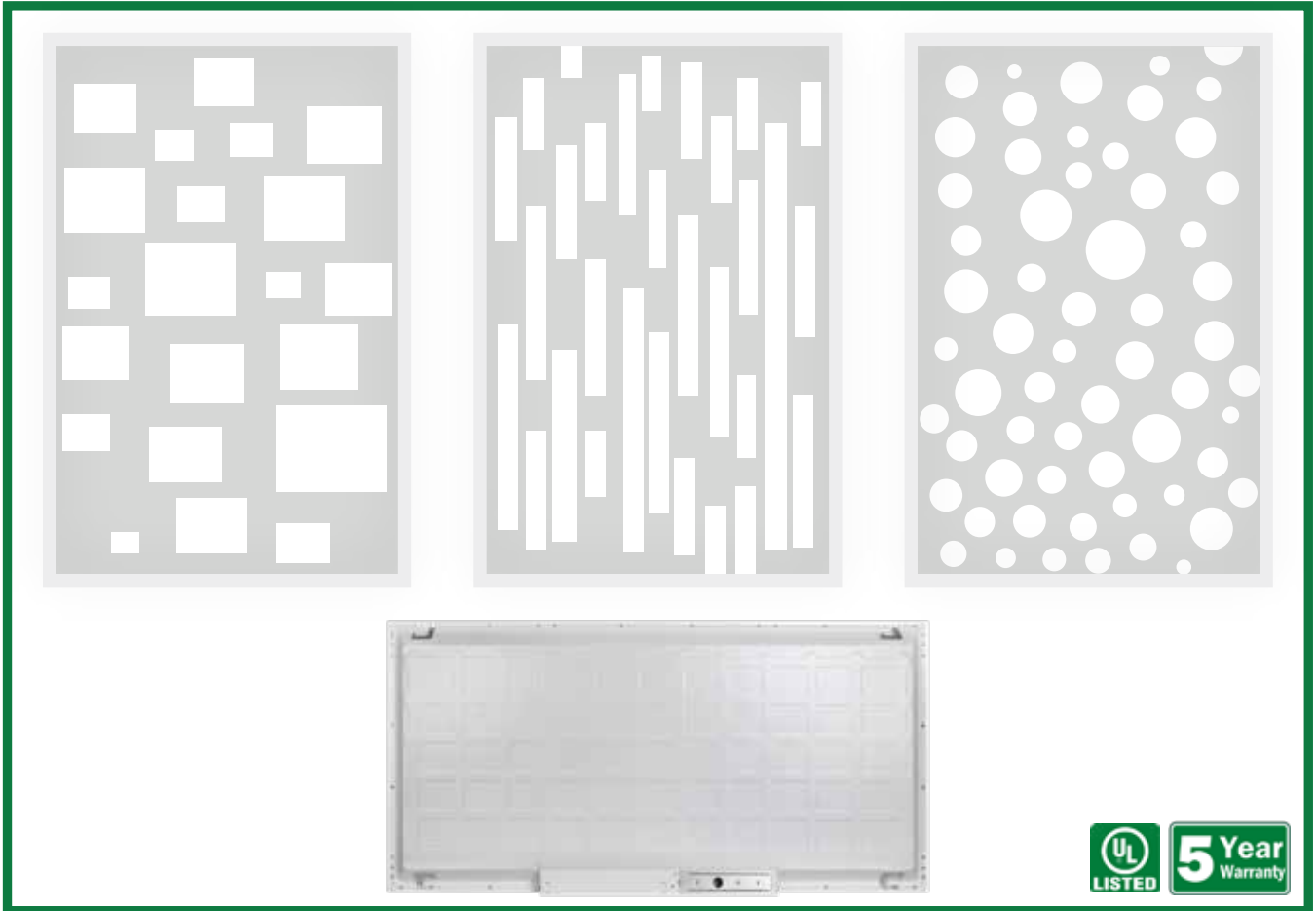


THE LASER PANEL™



Our new 2022 Laser panels offer uniform illumination and excellent energy savings when you replace traditionally T5, T8, or T12 fluorescent troffers. Our Laser Panel with diffusing Laser cut lens for direct lighting is also CCT adjustable & offers multiple Wattage options. A clever choice for illuminating spaces with a lighting fixture that blends with the architectural design of your ceiling, simultaneously creating an elegantly stunning light effect. Perfect for corporate offices, medical/health, educational facilities, and more.

- Lumens varies with design
- Wattage Adjustable 29/34/39/49W
- CCT Adjustable 3500/4000/5000K
- 0-10V Dimming capabilities
- Glare free lighting with remarkable light uniformity
- Super slim design with durable construction
- Optional hanging or surface mounting accessories available
- Built-in standard earthquake clips
- UL Certified and 5 year warranty
- Universal 120-277 AC voltage (50-60Hz)

THE LASER PANEL™

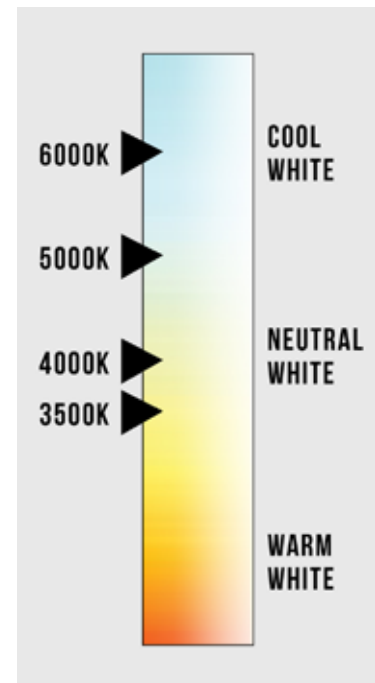


SKU #	Model #	Watts	Lumens	CCT	Length	Cover Design	Input Voltage	Certifications
154220-1	BLT-BPLED-2x4-29/34/39/49/ D10/U/35-40-50/HL	Adj. 29W/34W/ 39W/49W	Varies	Adj CCT 3500K- 4000K-5000K	2X4'	Round	100-277Vac	UL
154221-1	BLT-BPLED-2x4-29/34/39/49/ D10/U/35-40-50/HL	Adj. 29W/34W/ 39W/49W	Varies	Adj. CCT 3500K- 4000K-5000K	2X4'	Square	100-277Vac	UL
154222-1	BLT-BPLED-2x4-29/34/39/49/ D10/U/35-40-50/HL	Adj. 29W/34W/ 39W/49W	Varies	Adj. CCT 3500K- 4000K-5000K	2X4'	Striped	100-277Vac	UL

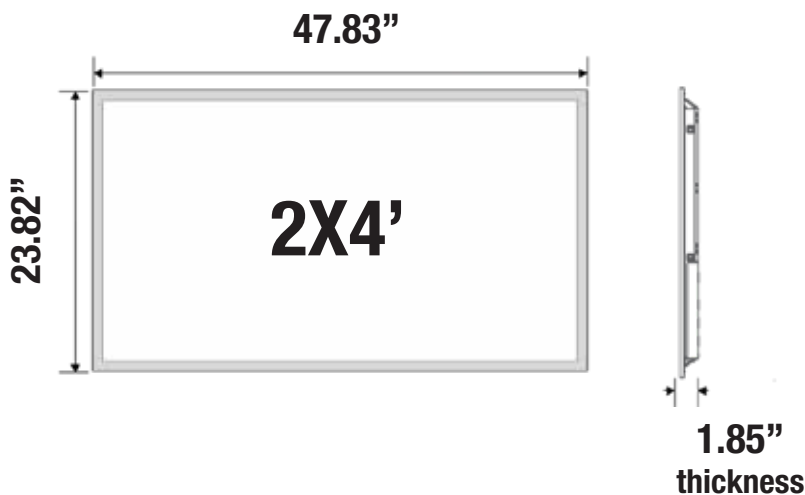
Specifications

Voltage	100-277 AC voltage (50-60Hz)
Dimming	0-10V Dimming capabilities
Operating Temperature Range	-4°F to 104°F
Ceiling Type	Exposed T-bar ceiling
Light Source	Non-replaceable LED
CRI	>80
L70 / L90	>75,000h / >40,000h

CORRELATED COLOR TEMPERATURE (CCT)



Dimensions

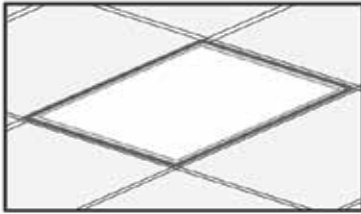


THE LASER PANEL™

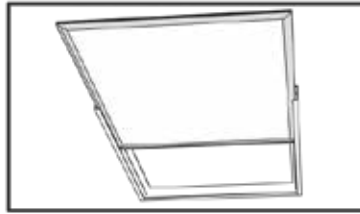
Pre-Installation

Mounting Options

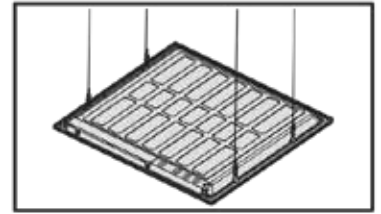
Recessed



Surface
(requires Mounting Kit)



Pendant/Suspension
(requires Mounting Kit)



Mounting Kit Description

Mounting Kit Description

4-Cable Suspension Kit

Mounting Kit Description

2x4 Surface

Tools Required



Safety goggles



Drill



Ladder



Electrical tape



Phillips screwdriver



Flathead screwdriver



Wire cutters



Wire strippers



Hammer

Hardware Included



AA - Wire nuts x5

Before You Begin

1. Turn off the electricity at the circuit breaker or fuse box.
2. Choose your installation option:
 - Installation Option 1 - Flush Mount
 - Installation Option 2 - Surface Mount (Sold Separately)
 - Installation Option 3 - Pendant/Suspension Mount (Sold Separately)

(866) 786-1117 • www.BeyondLEDTechnology.com

Due to continuous product improvement, information in this document is subject to change.



Installation Options

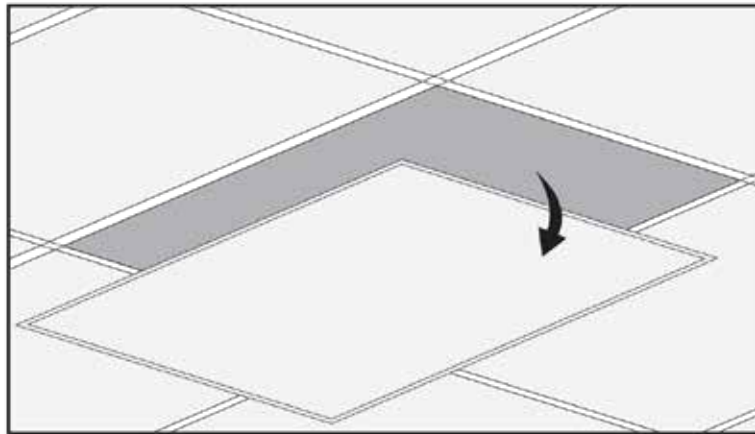
FLUSH MOUNT INSTALLATION



WARNING: Before you begin, turn the power off at the circuit breaker or fuse box to avoid electric shock.

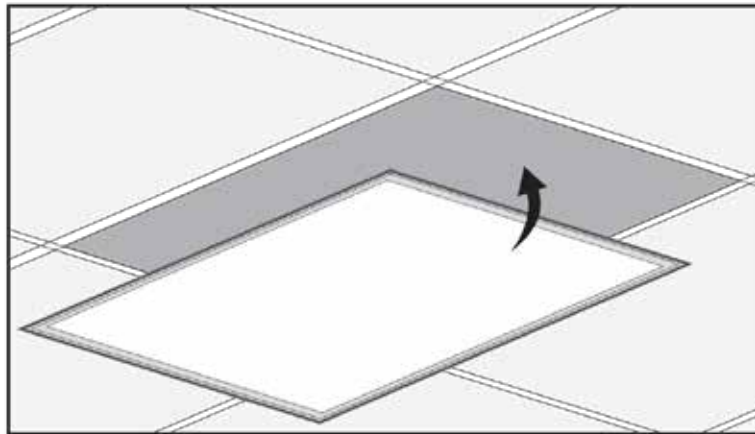
1 Removing the ceiling panel

- a. Remove the plasterboard panel from the ceiling.



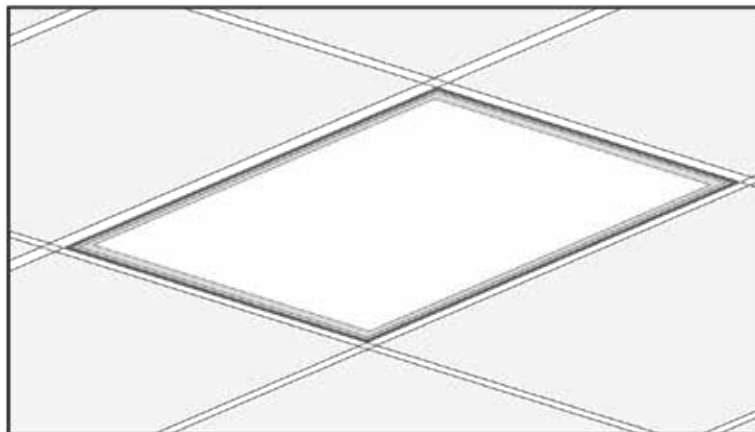
2 Connecting the wires

- a. Lift the fixture to the ceiling.
- b. Follow the steps in the **Making the Electrical Connections** section of this manual.



3 Completing the installation

- a. Slide the fixture into place in the ceiling.
- b. Restore power to the fixture.





THE LASER PANEL™

Mounting & Accessory Kits

RECESSED INSTALLATION



1. Pull up the earthquake hook until it is perpendicular to the panel backing. (See picture 1)
2. Bend the hook arm until it is perpendicular to the hook body. (See picture 2)
3. Hook the panel to the T-Bar until it is full supported. (See picture 3)



Earthquake hook



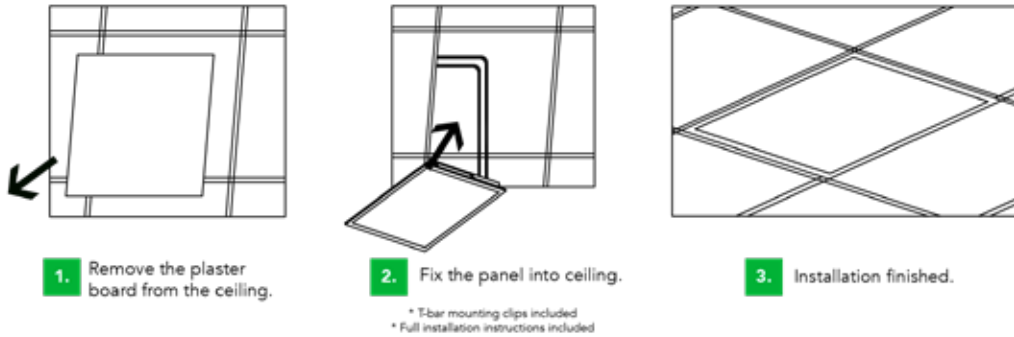
THE LASER PANEL™



Mounting & Accessory Kits

T-BAR MOUNTING

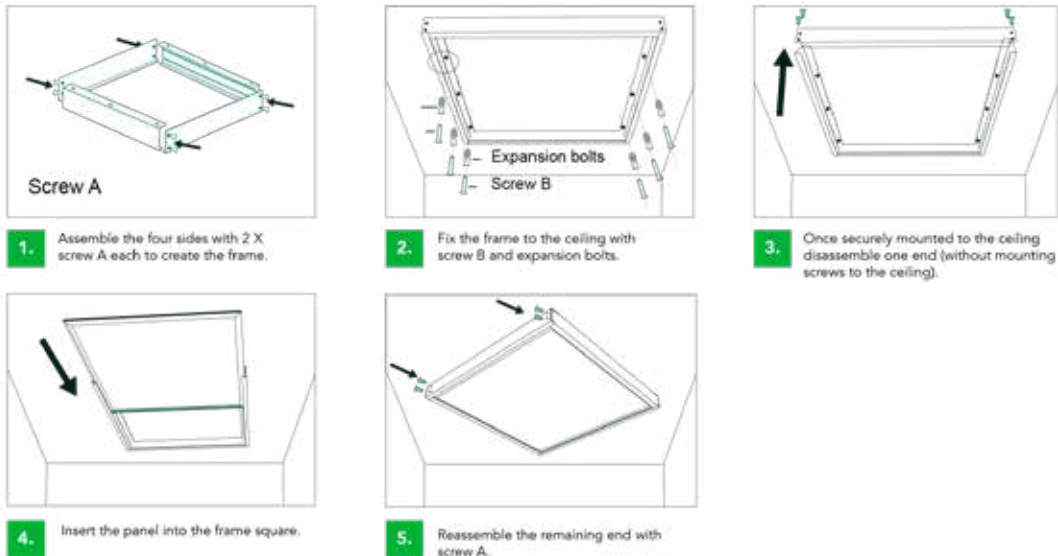
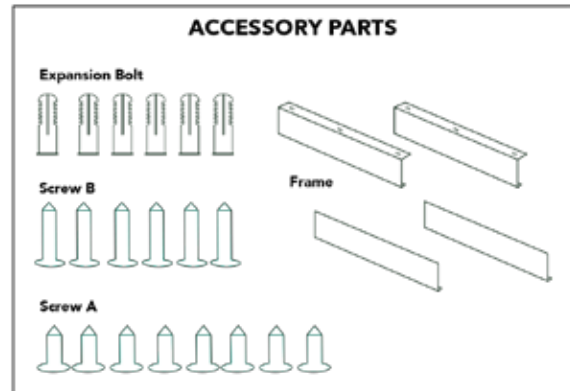
Available for 2x4 versions only



SURFACE MOUNTING KIT (OPTIONAL)

Available for 2x4 versions only

Accessory Parts List	Quantity	Size	Material
Screw A (KS 1X10)	8	0.04 inches diameter, 0.40 inches length	Zinc Coated Iron
Screw B (KA 4X25)	6	0.16 inches diameter, 0.98 inches length	Zinc Coated Iron
Expansion Bolt	6	0.24 inches diameter, 1.18 inches length	PVC
Frame	4	24.17 inches length, 2.44 inches height	Aluminum





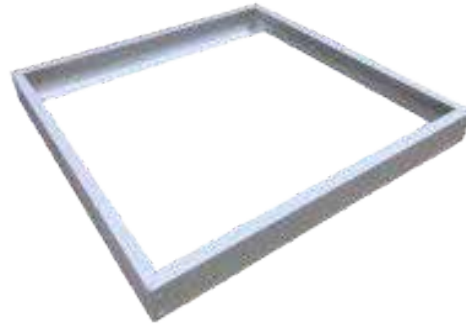
THE LASER PANEL™

Mounting Kits

Optional Accessories



**Hanging Wire
Suspension Mounting Kit**



**SKU# 151729:
2X4 Surface Mounting Kit**



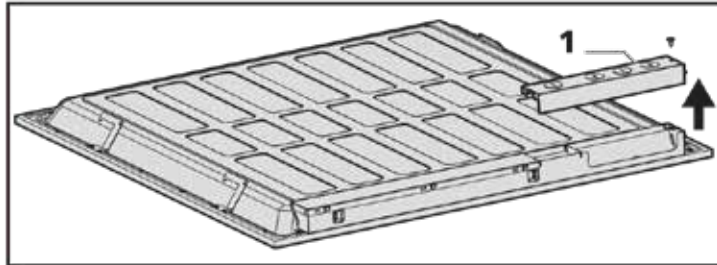


Making the Electrical Connections

WARNING: Before you begin, turn the power off at the circuit breaker or fuse box to avoid electric shock.

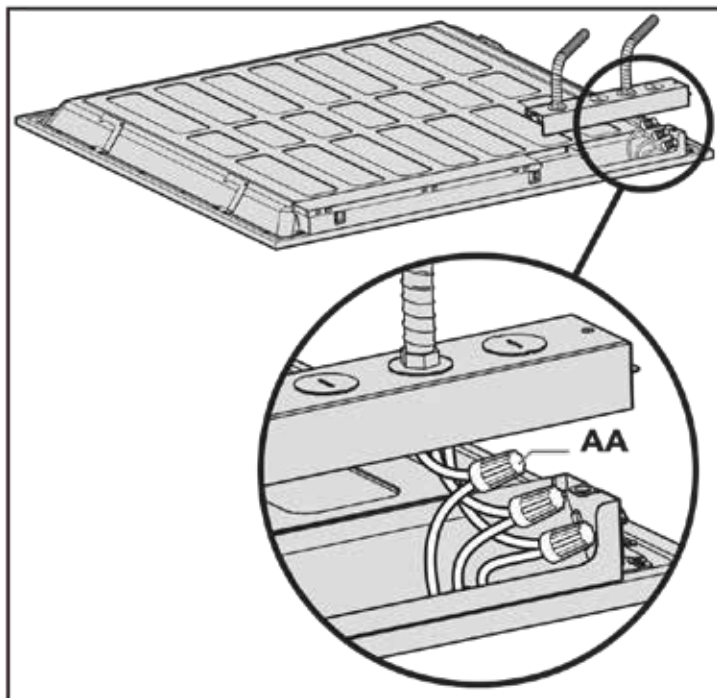
1 Open the junction box

- a. Unscrew and remove the junction box cover (1) from the fixture.



2 Connect the supply wires

- a. Connect the green ground wire from the fixture to the supply ground wire.
- b. Connect the white wire from the fixture to the supply white wire (neutral wire).
- c. Connect the black wire from the fixture to the supply black wire (live wire).
- d. Secure the three connections using three wire nuts (AA).
- e. Wrap the three wire connections with electrical tape for a more secure connection.



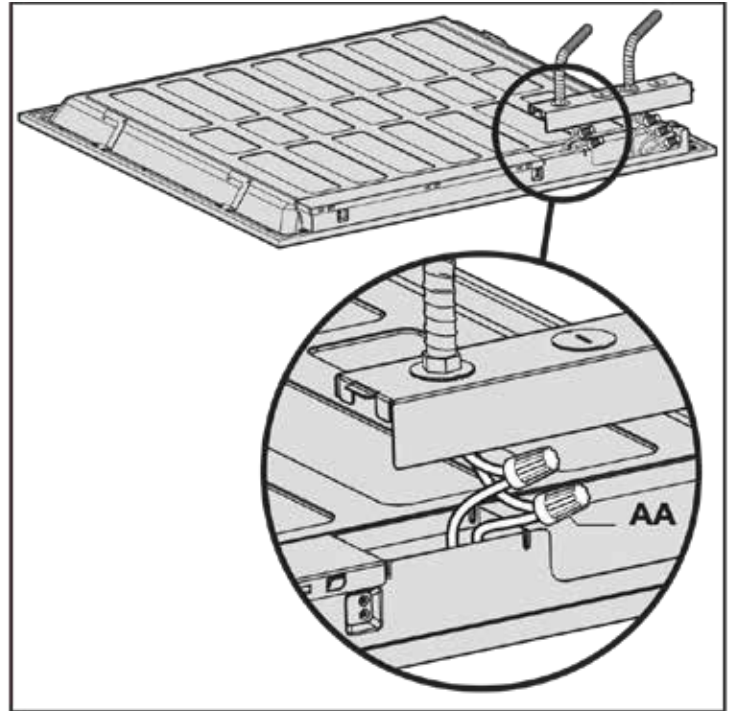


THE LASER PANEL™

Making the Electrical Connections (continued)

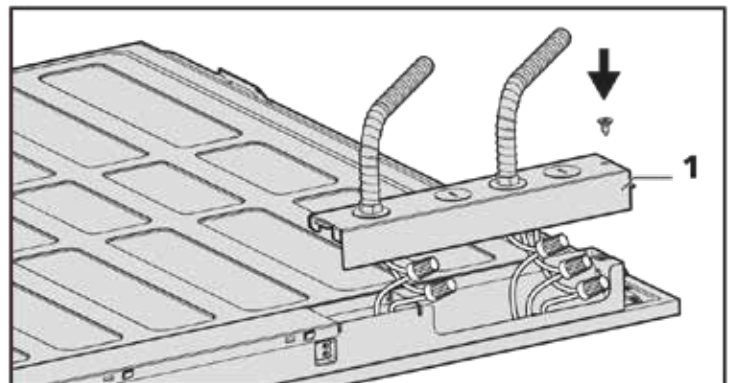
3 Connect the dimming wires

- Connect the purple wire from the fixture to the purple (DIM+) supply wire.
- Connect the gray wire from the fixture to the gray (DIM-) supply wire.
- Secure the two connections using two wire nuts (AA).
- Wrap the two wire connections with electrical tape for a more secure connection.



4 Reinstall the junction box cover

- Position the wires back inside the junction box.
- Reinstall the junction box cover (1).



THE LASER PANEL™



Safety Information



IMPORTANT: THIS PRODUCT MUST BE INSTALLED IN ACCORDANCE WITH THE APPLICABLE NATIONAL ELECTRICAL CODE AND LOCAL BUILDING CODES BY A PERSON FAMILIAR WITH THE CONSTRUCTION AND OPERATION OF THE PRODUCT AND THE HAZARDS INVOLVED.

SAVE THESE INSTRUCTIONS.



WARNING: Before installation or servicing, turn the power OFF at the circuit breaker or fuse. Place tape over the circuit breaker switch and verify power is OFF at the light fixture.



WARNING: Ground the fixture to avoid potential electric shock.



WARNING: Wear gloves when handling the fixture as edges are sharp.



CAUTION: Connect the fixture to a 120/277 Volt, 60 Hz power source. Any other connection voids the warranty.

NOTICE: FCC Regulations state that any unauthorized changes or modifications to this equipment not expressly approved by the manufacturer could void the user's authorization to operate this equipment.



IMPORTANT: The device is tested and found to comply with Part 15 of the FCC Rules. Operation is subject to two conditions: (1) This device may not cause harmful interference and, (2) this device must accept any interference received, including any interference that may cause undesired operation.

This equipment has been tested and found to comply with the limits for a Class A digital device, pursuant to Part 15 of the FCC rules. These limits are designed to provide reasonable protection against harmful interference when the equipment is operated in a commercial environment.

The equipment generates, uses, and can radiate radio frequency energy and, if not installed and used in accordance with the instruction manual, may cause harmful interference to radio communications. However, there is no guarantee that interference will not occur in a particular installation. If this equipment does cause harmful interference to radio or television reception, which can be determined by turning the equipment off and on, the user is encouraged to try to correct the interference by one or more of the following measures:

- Reorient or relocate the receiving antenna.
- Increase the separation between the equipment and receiver.
- Connect the equipment into an outlet on a circuit different from that to which the receiver is connected.
- Consult the dealer or an experienced radio/TV technician for help.



THE LASER PANEL™

Packing

SKU #	Size	Pcs/Box	Dimensions	Weight	Pallet Quantity	Pallet Weight	Pallet Dimensions
154220-1	2X4	4	49"X26"X9"	41 Lbs.	60 Pcs	645 Lbs.	52"X50"X84"
154221-1	2X4	4	49"X26"X9"	41 Lbs.	60 Pcs	645 Lbs.	52"X50"X84"
154222-1	2X4	4	49"X26"X9"	41 Lbs.	60 Pcs	645 Lbs.	52"X50"X84"

