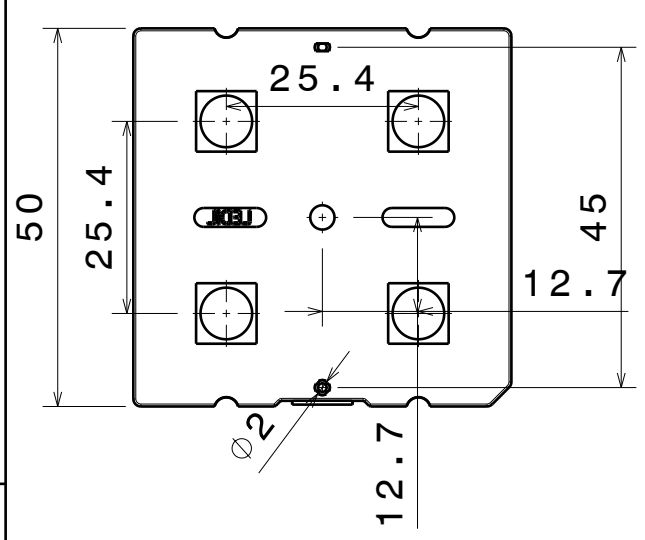
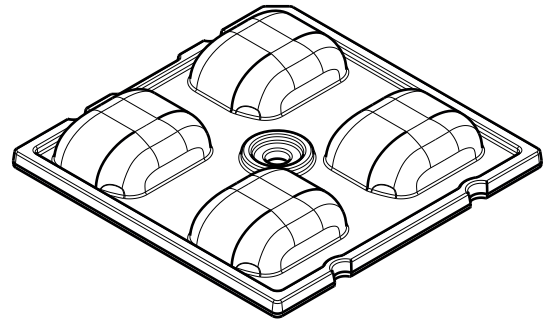


D C B A

4



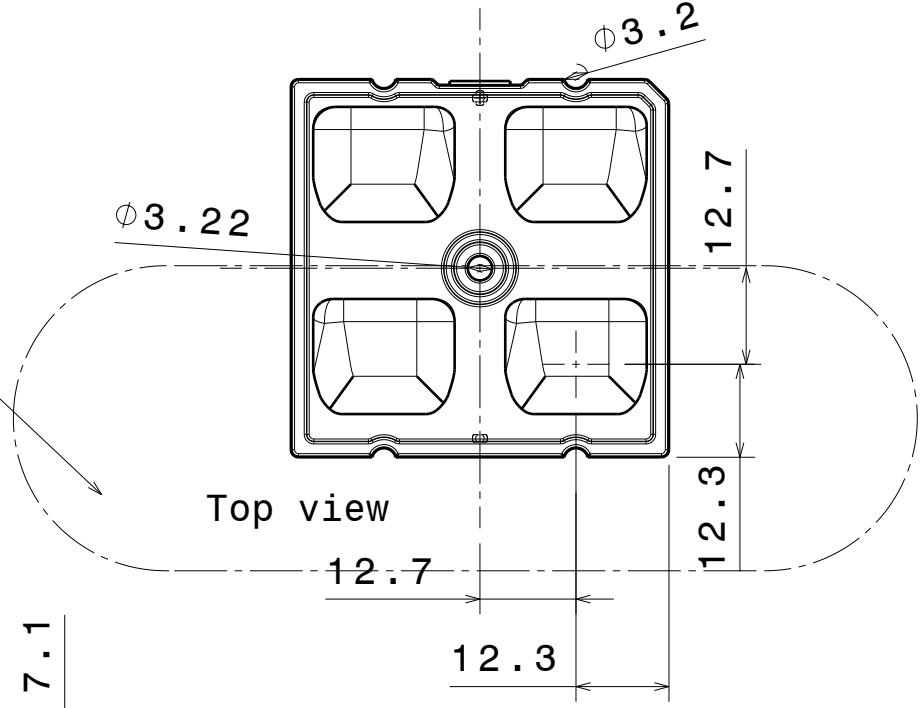
Bottom view



Isometric view

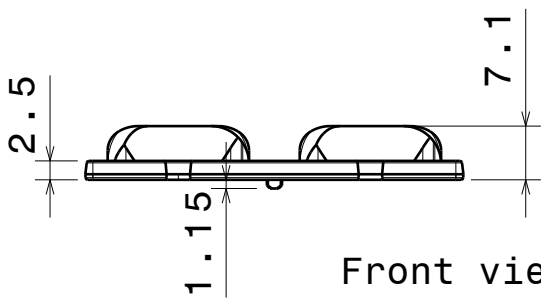
3

Beam Direction



Top view

2



Front view

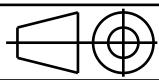
Note: Mechanically identical to C13299.

INDEX	PART NO	DESCRIPTION	MATERIAL	COLOUR
1	C14515	STRADA-2X2-ME	PC	clear

Plastic moulding general tolerances according to DIN 16901-130 and applies if not otherwise shown in the drawing. Silicone moulding general tolerances according to ISO 3302-1 Class M3 and applies if not otherwise shown in the drawing.

LEDiL LediL Oy
Salorankatu 10
FIN 24240 SALO
Finland

THIRD ANGLE PROJECTION:



DRAWING TITLE
C14515_STRADA-2X2-ME

This drawing is the property of LEDiL Oy. It may not be reproduced, copied or communicated without a written agreement with LEDiL Oy.

SIZE	PART NUMBER
A4	C14515

SCALE	1:1	WEIGHT	8,92 g	SHEET	1/1
-------	-----	--------	--------	-------	-----

1

1

D A