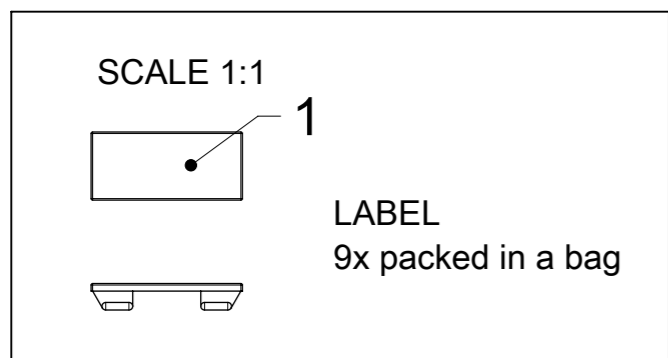
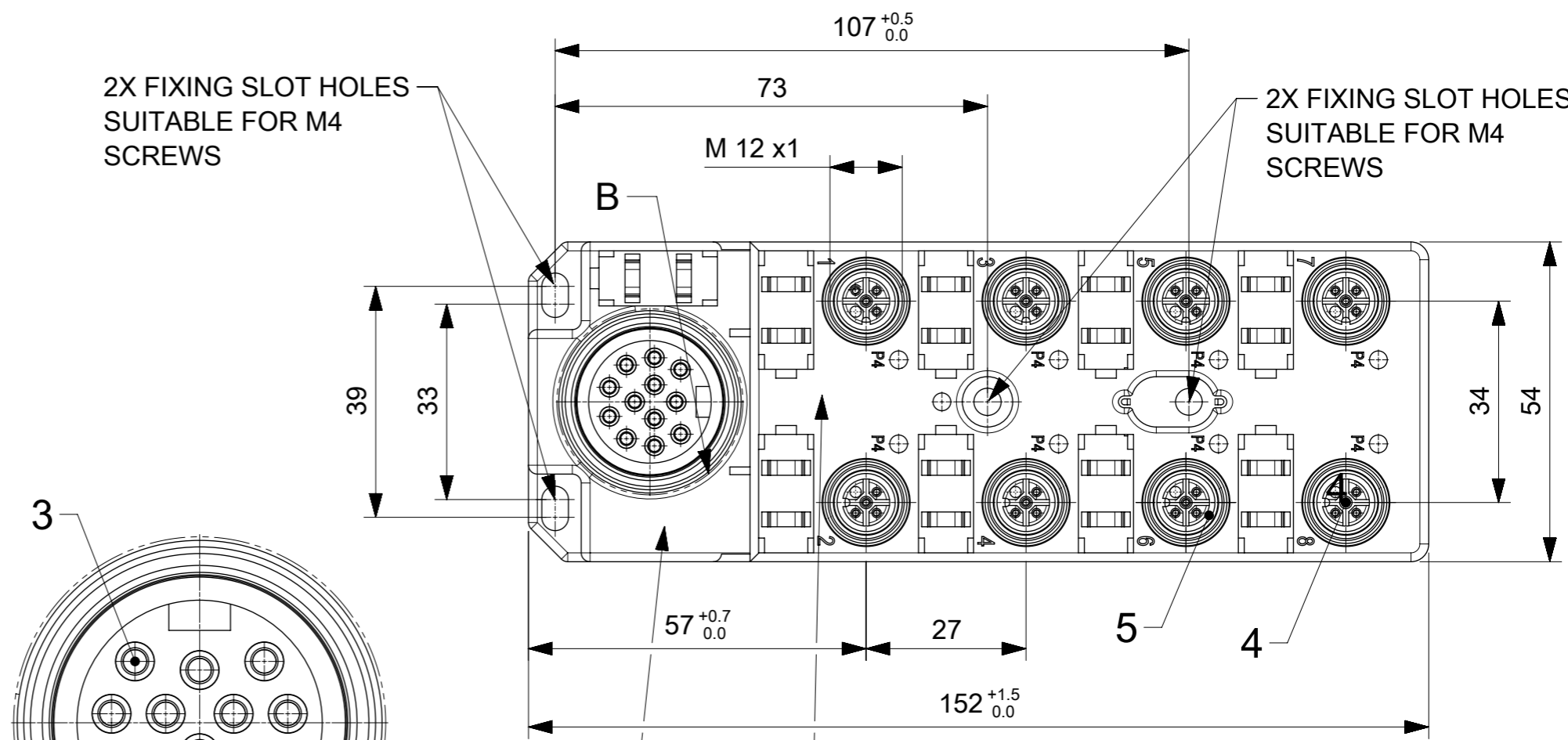


TABLE 1

MOLEX P/N	ENG. NO.	LED
1202480073	BTB8010-FBB	NO
1202480074	BTB801P-FBB	YES
1202480075	BTB801N-FBB	YES

TABLE 2 BILL OF MATERIAL

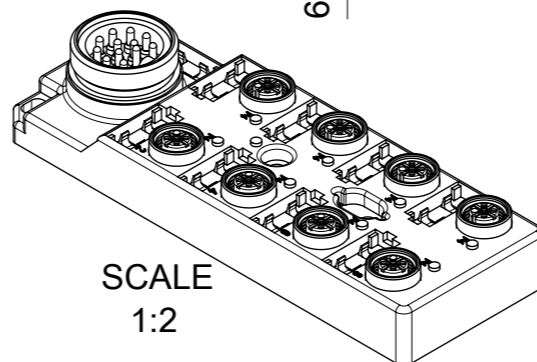
ITEM	DESCRIPTION	MATERIAL	FINISH
1	LABEL	ABS	WHITE
2	SHELL	BRASS	NICKEL PLATED
3	CONTACT	BRASS	GOLD OVER NICKEL
4	CONTACT	BRONZE	GOLD OVER NICKEL
5	O-RING	FPM	RED
6	LED	NO LED = PA	BLACK
		WITH LED = PA	TRANSPARENT
7	SHELL	BRASS	NICKEL PLATED
8	HOUSING	PBT	BLACK



GENERAL CHARACTERISTICS:

ELECTRICAL AND MECHANICAL DATA ACC. TO IEC 61076-2-101

NOMINAL VOLTAGE: 10-30 V DC
 AMPERE RATING: 4 A PER PORT / 12 A MAX
 AMPERE RATING WITH UL REGISTRATION: 3 A PER PORT / 9 A MAX
 IP DEGREE OF PROTECTION: IP 67
 TEMPERATURE RANGE: -25°C to + 85°C



SYMBOLS		THIS DRAWING CONTAINS INFORMATION THAT IS PROPRIETARY TO MOLEX ELECTRONIC TECHNOLOGIES, LLC AND SHOULD NOT BE USED WITHOUT WRITTEN PERMISSION	
DIMENSION UNITS	SCALE	CURRENT REV DESC:	LASER PRINT UPDATE
mm		EC NO:	606042
GENERAL TOLERANCES (UNLESS SPECIFIED)		DRWN:	SSM 2018/08/31
ANGULAR TOL ±	°	CHK'D:	RSILLER 2018/10/18
4 PLACES ±		APPR:	RSILLER 2018/10/18
3 PLACES ±		INITIAL REVISION:	
2 PLACES ±		DRWN:	AAHLERS 2015/04/07
1 PLACE ±		APPR:	RSILLER 2017/01/18
0 PLACES ±	0.25	THIRD ANGLE PROJECTION	DRAWING SERIES MATERIAL NUMBER CUSTOMER SHEET NUMBER
DRAFT WHERE APPLICABLE MUST REMAIN WITHIN DIMENSIONS			A3-SIZE 120248 SEE TABLE 1 GENERAL MARKET 1 OF 2

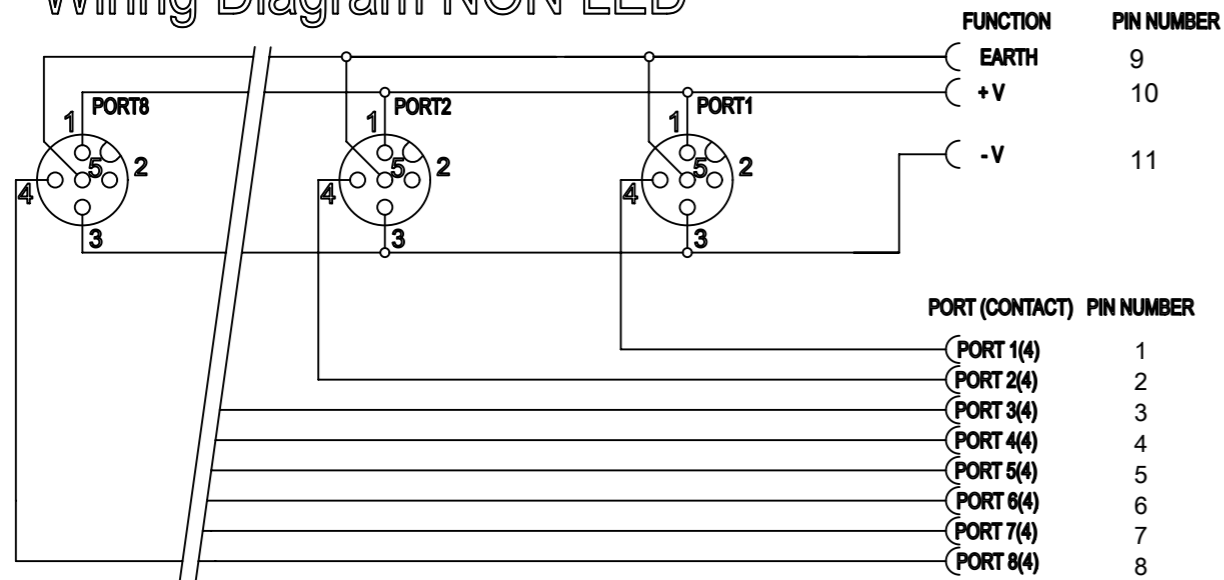
molex

MPIS M12 PNP NPN NOS 4P 8PT 12P MC BK STA SINGLE

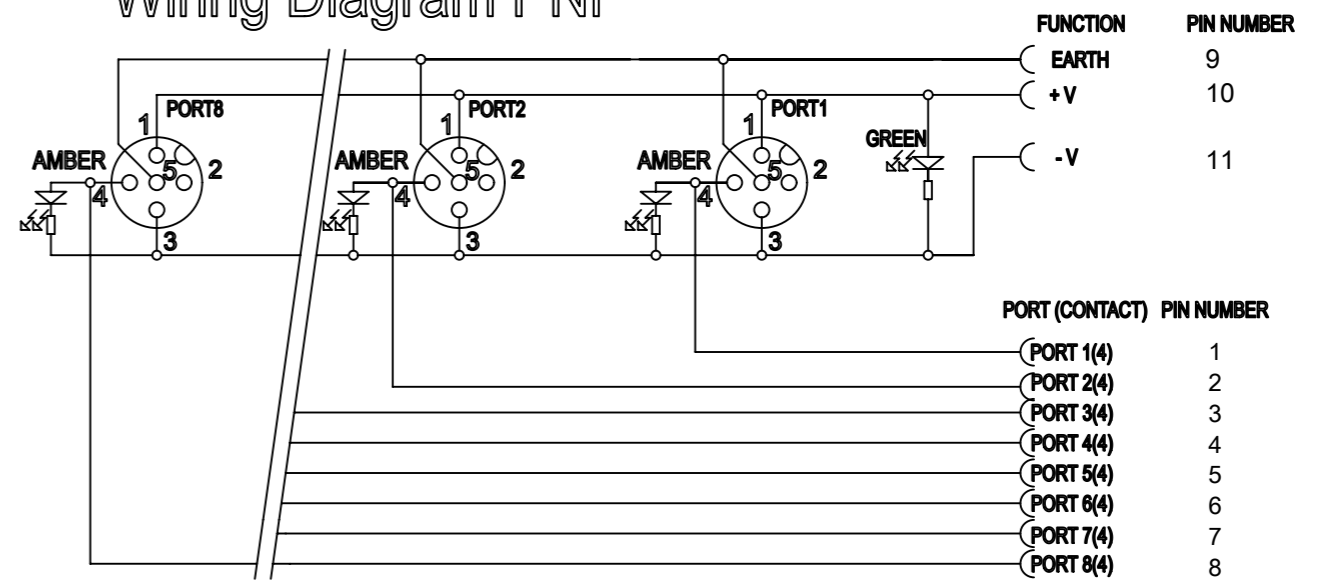
PRODUCT CUSTOMER DRAWING

DOCUMENT NUMBER: 1202480073
 DOC TYPE: PSD
 DOC PART: 000
 REVISION: B

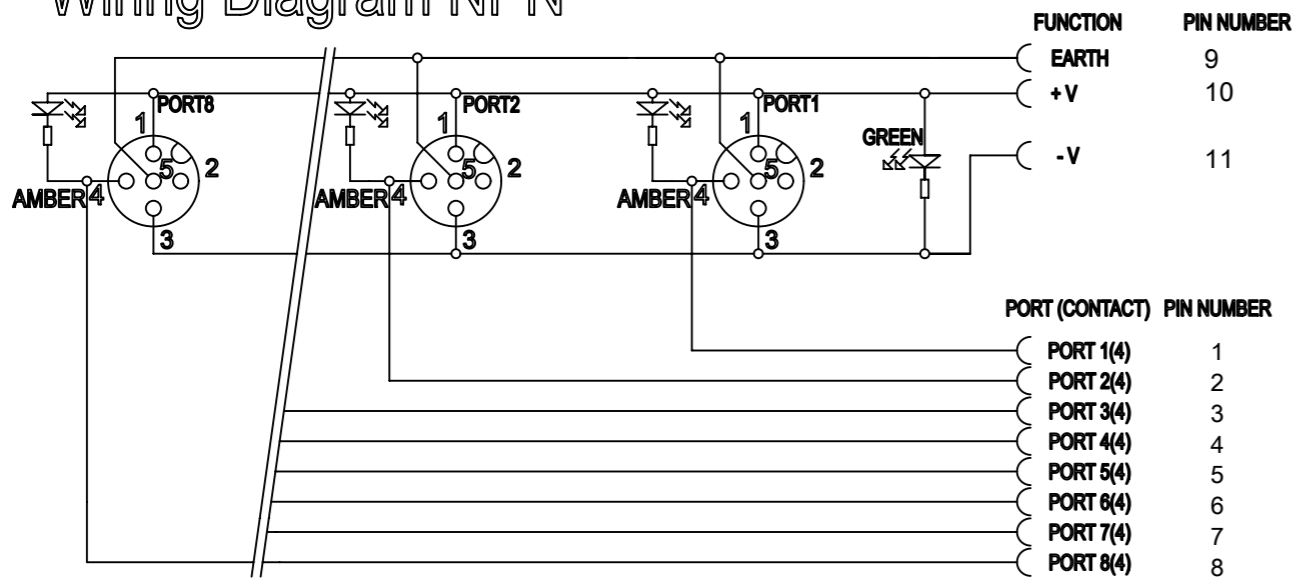
Wiring Diagram NON LED



Wiring Diagram PNP



Wiring Diagram NPN



SYMBOLS DIMENSION UNITS: mm SCALE: CURRENT REV DESC: LASER PRINT UPDATE GENERAL TOLERANCES (UNLESS SPECIFIED): ANGULAR TOL: ± ° 4 PLACES: ± 3 PLACES: ± 2 PLACES: ± 1 PLACE: ± 0 PLACES: ± 0.25 DRAFT WHERE APPLICABLE MUST REMAIN WITHIN DIMENSIONS THIRD ANGLE PROJECTION:	EC NO: 606042 DRWN: SSM 2018/08/31 CHK'D: RSILLER 2018/10/18 APPR: RSILLER 2018/10/18 INITIAL REVISION: DRWN: AAHLERS 2015/04/07 APPR: RSILLER 2017/01/18		 MPIS M12 PNP NPN NOS 4P 8PT 12P MC BK STA SINGLE PRODUCT CUSTOMER DRAWING	
	DOCUMENT NUMBER: 1202480073 DOC TYPE: PSD DOC PART: 000 REVISION: B			
DOCUMENT STATUS: P1 RELEASE DATE: 2018/10/18 10:41:21		MATERIAL NUMBER: SEE TABLE 1 CUSTOMER: GENERAL MARKET SHEET NUMBER: 2 OF 2		