

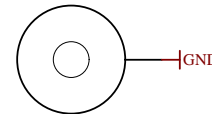
1

2

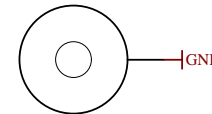
3

4

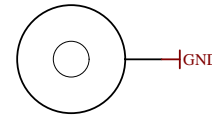
U_J1 J1.SchDoc	U_B_PS_GT B_PS_GT.SchDoc	U_DDR4-TERM DDR4-TERM.SchDoc
U_J2 J2.SchDoc	U_PS_DDR PS_DDR.SchDoc	U_ZU_POWER ZU_POWER.SchDoc
U_J3 J3.SchDoc	U_B_MIO B_MIO.SchDoc	U_ZU_PS_POWER ZU_PS_POWER.SchDoc
U_J4 J4.SchDoc	U_B_HD B_HD.SchDoc	U_POWER POWER.SchDoc
U_DDR4-TERM DDR4-TERM.SchDoc	U_Clock Clock.SchDoc	U_POWER_2 POWER_2.SchDoc
U_B64 B64.SchDoc	U_CONFIG CONFIG.SchDoc	
U_B65 B65.SchDoc	U_DDR4-RAM DDR4-RAM.SchDoc	U_POWER_4 POWER_4.SchDoc
U_B66 B66.SchDoc	U_DDR4-RAM_2 DDR4-RAM_2.SchDoc	U_REV_CH Revision_Changes.SchDoc
U_B_GT B_GT.SchDoc	U_DDR4-RAM_3 DDR4-RAM_3.SchDoc	
	U_DDR4-RAM_4 DDR4-RAM_4.SchDoc	



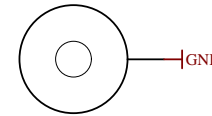
Mount.Hole 3.2mm für Unterlegscheibe



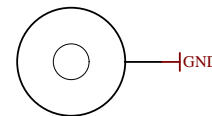
Mount.Hole 3.2mm für Unterlegscheibe



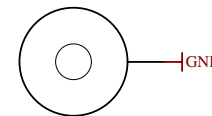
Mount.Hole 3.2mm für Unterlegscheibe



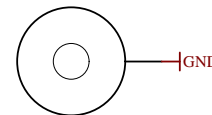
Mount.Hole 3.2mm für Unterlegscheibe



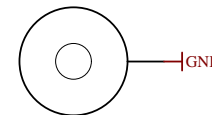
Mount.Hole 3.2mm für Unterlegscheibe



Mount.Hole 3.2mm für Unterlegscheibe



Mount.Hole 3.2mm für Unterlegscheibe



Mount.Hole 3.2mm für Unterlegscheibe

FIDU-DOT - small FIDU-DOT - small



PM1 PM2
FIDU-DOT - small FIDU-DOT - small



PM3 PM4
FIDU-DOT - small FIDU-DOT - small

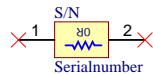


PM5 PM6

LOGO1

TE Logo PRINT Layer

LOGO PRINT



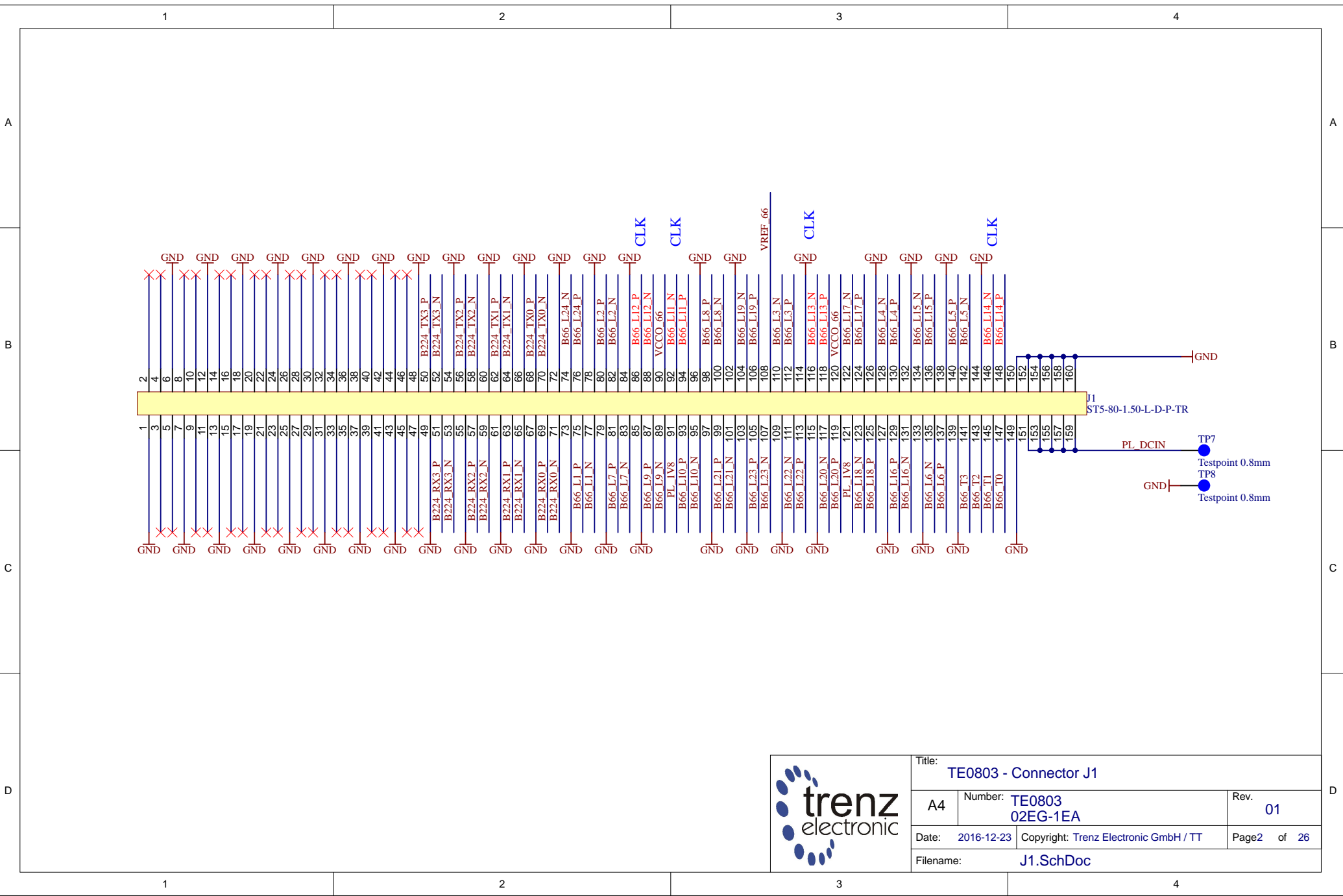
Title: TE0803		
A4	Number: TE0803 02EG-1EA	Rev. 01
Date: 2016-12-23	Copyright: Trenz Electronic GmbH / TT	Page1 of 26
Filename: TE0803.SchDoc		

1

2

3

4



Title: TE0803 - Connector J1		
A4	Number: TE0803 02EG-1EA	Rev. 01
Date: 2016-12-23	Copyright: Trenz Electronic GmbH / TT	Page2 of 26
Filename: J1.SchDoc		

1

2

3

4

A

A

B

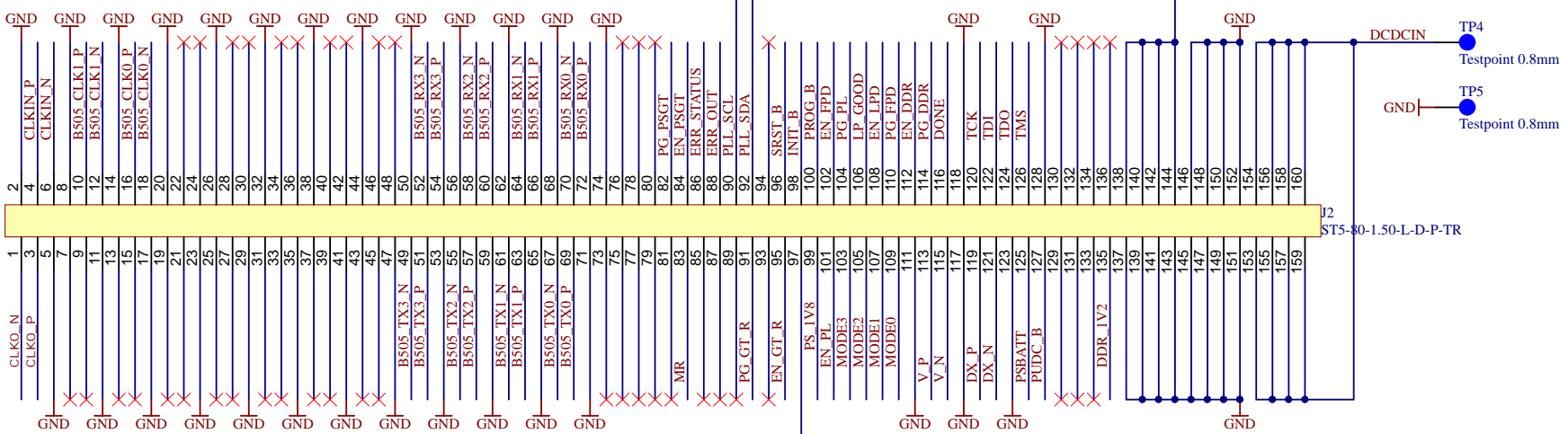
B

C

C

D

D



1

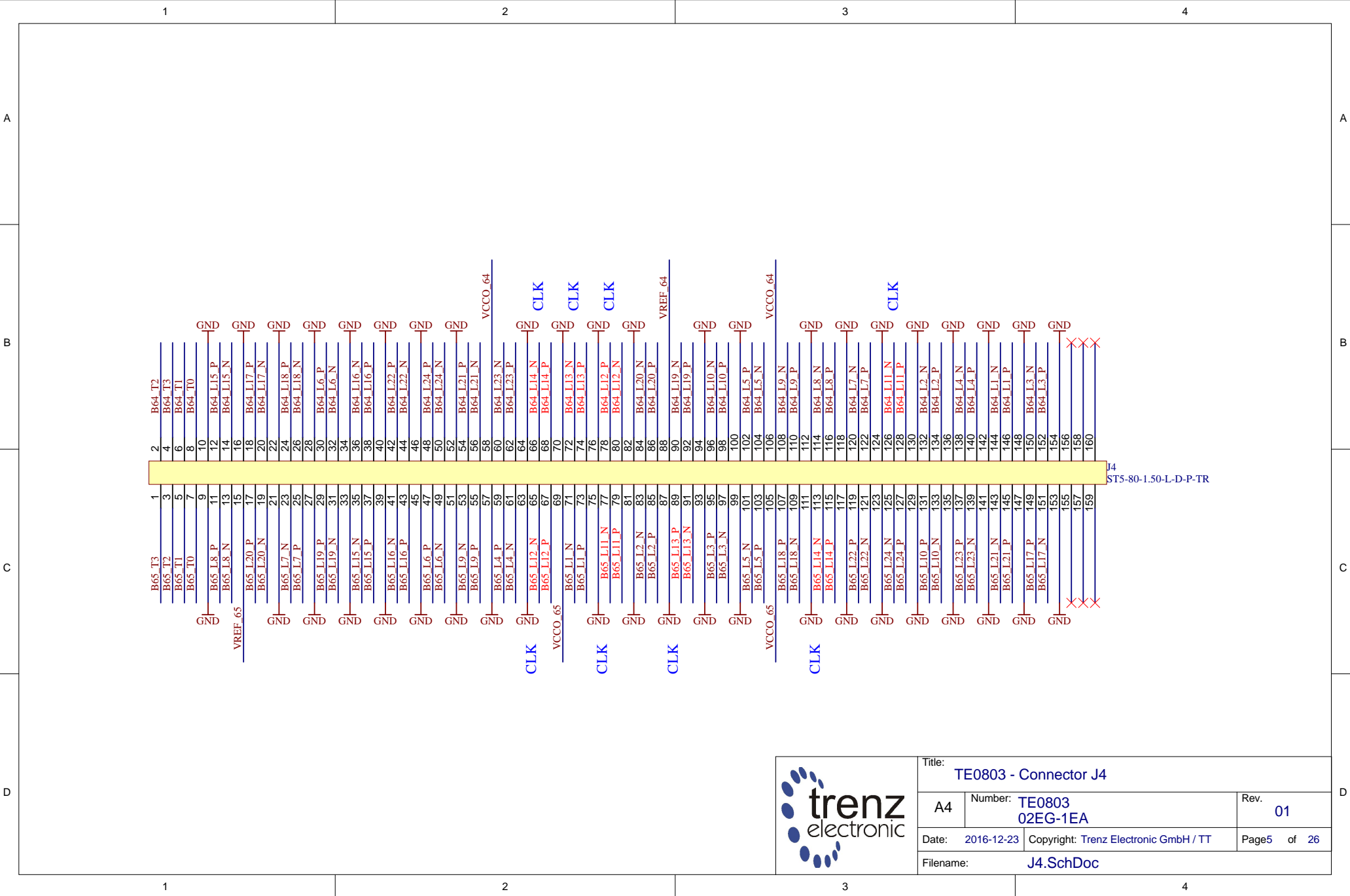
2

3

4



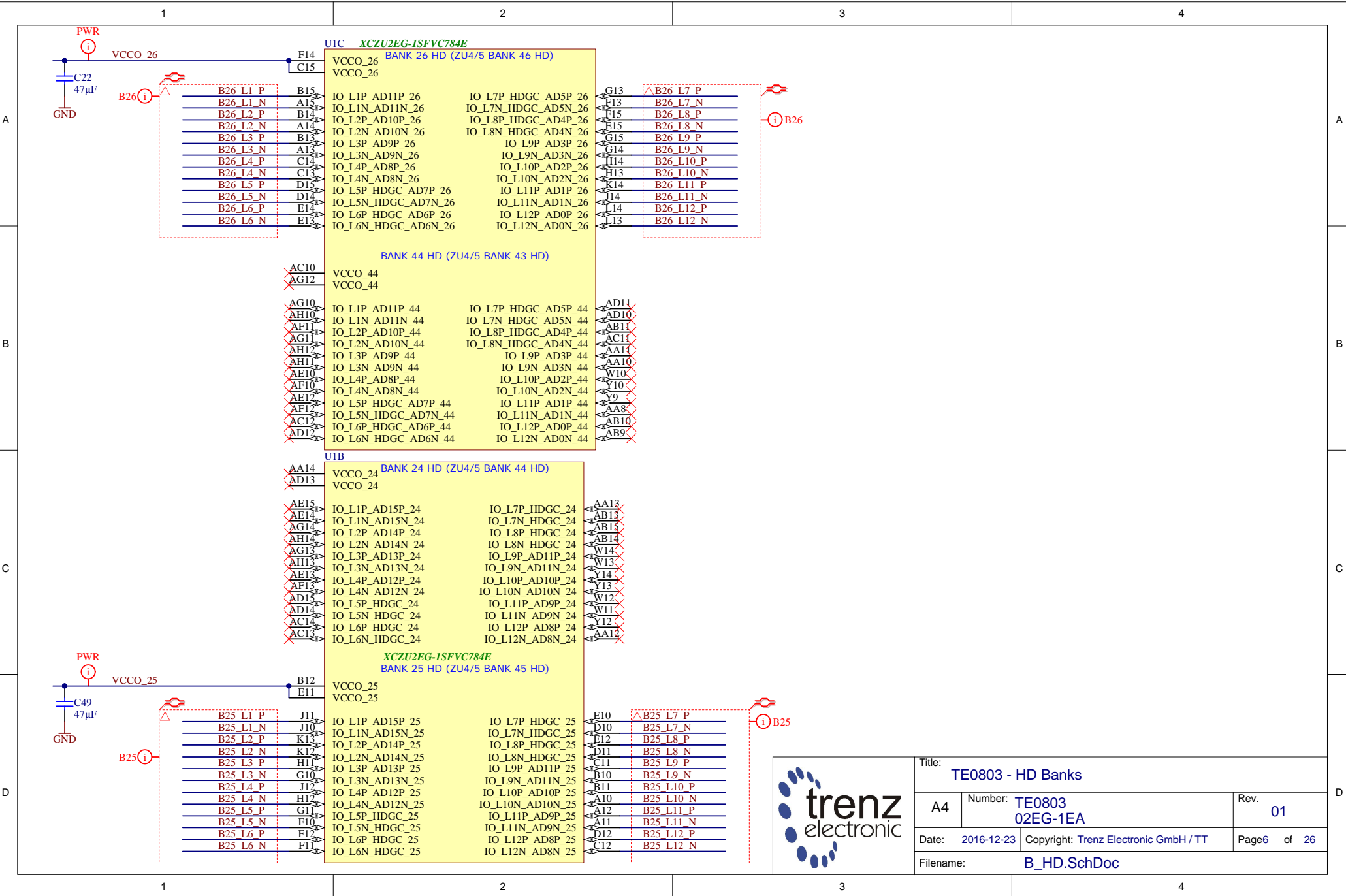
Title: TE0803 - Connector J2		
A4	Number: TE0803 02EG-1EA	Rev. 01
Date: 2016-12-23	Copyright: Trenz Electronic GmbH / TT	Page3 of 26
Filename: J2.SchDoc		



J4
ST5-80-1.50-L-D-P-TR



Title: TE0803 - Connector J4		
A4	Number: TE0803 02EG-1EA	Rev. 01
Date: 2016-12-23	Copyright: Trenz Electronic GmbH / TT	Page5 of 26
Filename: J4.SchDoc		



UIC XCZU2EG-1SFVC784E
BANK 26 HD (ZU4/5 BANK 46 HD)

VCCO_26	F14	VCCO_26	IO_L1P_AD11P_26	IO_L7P_HDGC_AD5P_26	G13	B26 L7 P
VCCO_26	C15	VCCO_26	IO_L1N_AD11N_26	IO_L7N_HDGC_AD5N_26	F13	B26 L7 N
			IO_L2P_AD10P_26	IO_L8P_HDGC_AD4P_26	F15	B26 L8 P
			IO_L2N_AD10N_26	IO_L8N_HDGC_AD4N_26	F15	B26 L8 N
			IO_L3P_AD9P_26	IO_L9P_AD3P_26	G15	B26 L9 P
			IO_L3N_AD9N_26	IO_L9N_AD3N_26	G14	B26 L9 N
			IO_L4P_AD8P_26	IO_L10P_AD2P_26	H14	B26 L10 P
			IO_L4N_AD8N_26	IO_L10N_AD2N_26	H13	B26 L10 N
			IO_L5P_HDGC_AD7P_26	IO_L11P_AD1P_26	K14	B26 L11 P
			IO_L5N_HDGC_AD7N_26	IO_L11N_AD1N_26	J14	B26 L11 N
			IO_L6P_HDGC_AD6P_26	IO_L12P_AD0P_26	L14	B26 L12 P
			IO_L6N_HDGC_AD6N_26	IO_L12N_AD0N_26	L13	B26 L12 N

BANK 44 HD (ZU4/5 BANK 43 HD)


VCCO_44	AC10	VCCO_44	IO_L1P_AD11P_44	IO_L7P_HDGC_AD5P_44	AD11	
VCCO_44	AG12	VCCO_44	IO_L1N_AD11N_44	IO_L7N_HDGC_AD5N_44	AD10	
			IO_L2P_AD10P_44	IO_L8P_HDGC_AD4P_44	AB11	
			IO_L2N_AD10N_44	IO_L8N_HDGC_AD4N_44	AC11	
			IO_L3P_AD9P_44	IO_L9P_AD3P_44	AA11	
			IO_L3N_AD9N_44	IO_L9N_AD3N_44	AA10	
			IO_L4P_AD8P_44	IO_L10P_AD2P_44	W10	
			IO_L4N_AD8N_44	IO_L10N_AD2N_44	Y10	
			IO_L5P_HDGC_AD7P_44	IO_L11P_AD1P_44	Y9	
			IO_L5N_HDGC_AD7N_44	IO_L11N_AD1N_44	AA8	
			IO_L6P_HDGC_AD6P_44	IO_L12P_AD0P_44	AB10	
			IO_L6N_HDGC_AD6N_44	IO_L12N_AD0N_44	AB9	

UIB
BANK 24 HD (ZU4/5 BANK 44 HD)

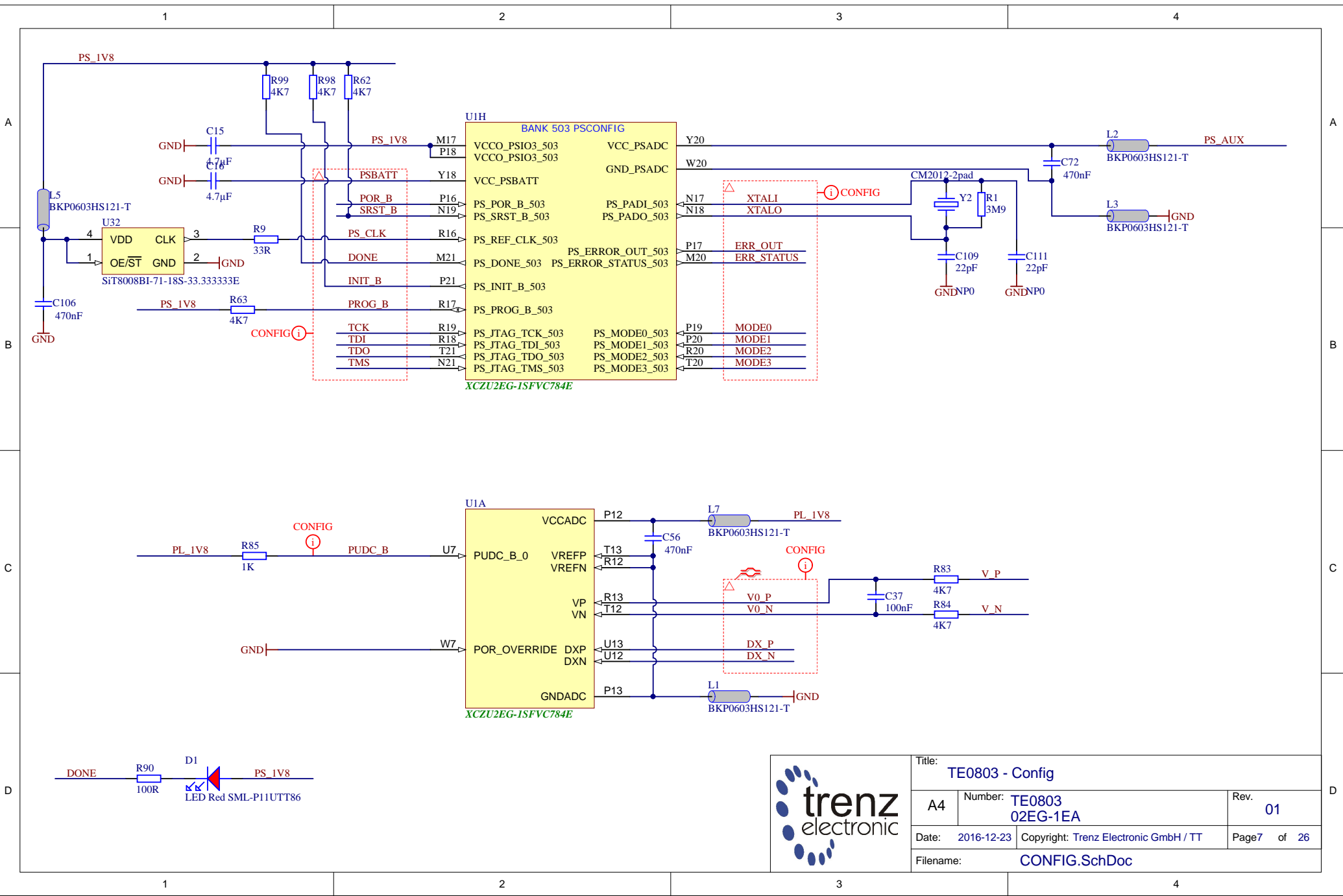
VCCO_24	AA14	VCCO_24	IO_L1P_AD15P_24	IO_L7P_HDGC_24	AA13	
VCCO_24	AD13	VCCO_24	IO_L1N_AD15N_24	IO_L7N_HDGC_24	AB13	
			IO_L2P_AD14P_24	IO_L8P_HDGC_24	AB15	
			IO_L2N_AD14N_24	IO_L8N_HDGC_24	AB14	
			IO_L3P_AD13P_24	IO_L9P_AD11P_24	W14	
			IO_L3N_AD13N_24	IO_L9N_AD11N_24	W13	
			IO_L4P_AD12P_24	IO_L10P_AD10P_24	Y14	
			IO_L4N_AD12N_24	IO_L10N_AD10N_24	Y13	
			IO_L5P_HDGC_24	IO_L11P_AD9P_24	W12	
			IO_L5N_HDGC_24	IO_L11N_AD9N_24	W11	
			IO_L6P_HDGC_24	IO_L12P_AD8P_24	Y12	
			IO_L6N_HDGC_24	IO_L12N_AD8N_24	AA12	

XCZU2EG-1SFVC784E
BANK 25 HD (ZU4/5 BANK 45 HD)

VCCO_25	B12	VCCO_25	IO_L1P_AD15P_25	IO_L7P_HDGC_25	E10	B25 L7 P
VCCO_25	E11	VCCO_25	IO_L1N_AD15N_25	IO_L7N_HDGC_25	D10	B25 L7 N
			IO_L2P_AD14P_25	IO_L8P_HDGC_25	E12	B25 L8 P
			IO_L2N_AD14N_25	IO_L8N_HDGC_25	D11	B25 L8 N
			IO_L3P_AD13P_25	IO_L9P_AD11P_25	C11	B25 L9 P
			IO_L3N_AD13N_25	IO_L9N_AD11N_25	B10	B25 L9 N
			IO_L4P_AD12P_25	IO_L10P_AD10P_25	B11	B25 L10 P
			IO_L4N_AD12N_25	IO_L10N_AD10N_25	A10	B25 L10 N
			IO_L5P_HDGC_25	IO_L11P_AD9P_25	A12	B25 L11 P
			IO_L5N_HDGC_25	IO_L11N_AD9N_25	A11	B25 L11 N
			IO_L6P_HDGC_25	IO_L12P_AD8P_25	D12	B25 L12 P
			IO_L6N_HDGC_25	IO_L12N_AD8N_25	C12	B25 L12 N



Title: TE0803 - HD Banks		
A4	Number: TE0803 02EG-1EA	Rev. 01
Date: 2016-12-23	Copyright: Trenz Electronic GmbH / TT	Page6 of 26
Filename: B_HD.SchDoc		



Title: TE0803 - Config		
A4	Number: TE0803 02EG-1EA	Rev. 01
Date: 2016-12-23	Copyright: Trenz Electronic GmbH / TT	Page7 of 26
Filename: CONFIG.SchDoc		

1

2

3

4

A

A

B

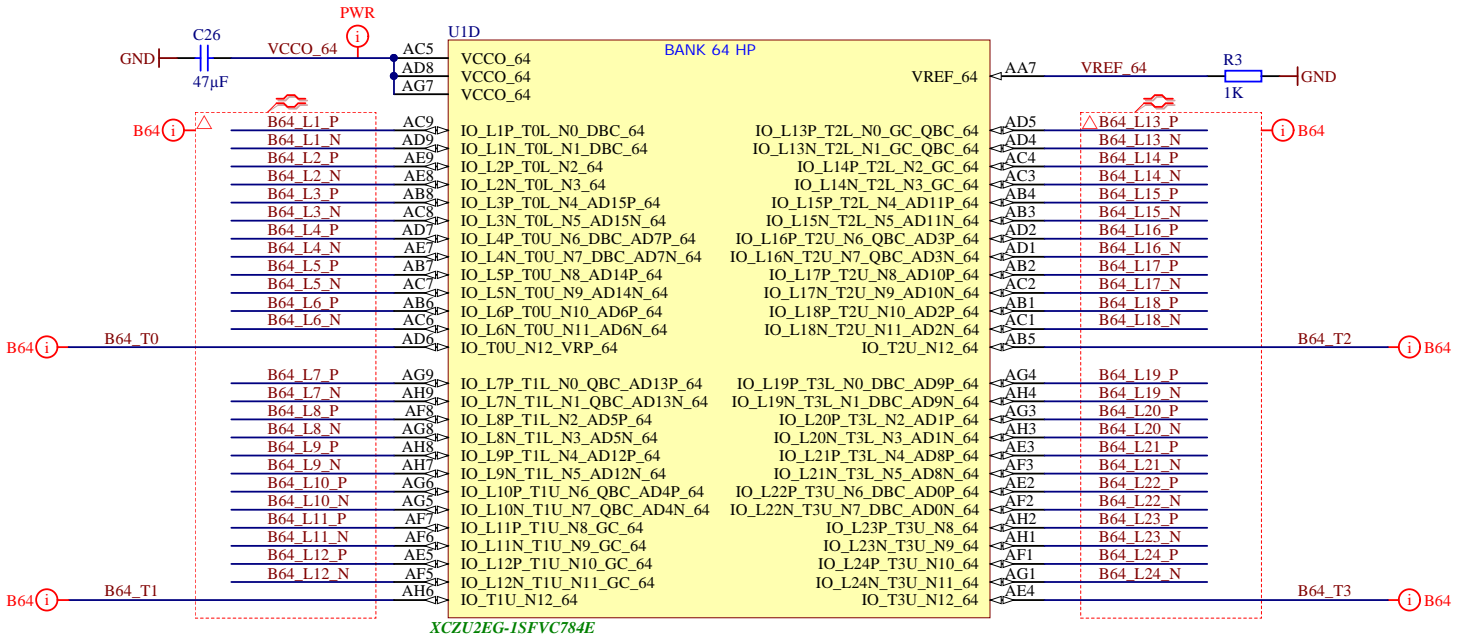
B

C

C

D

D



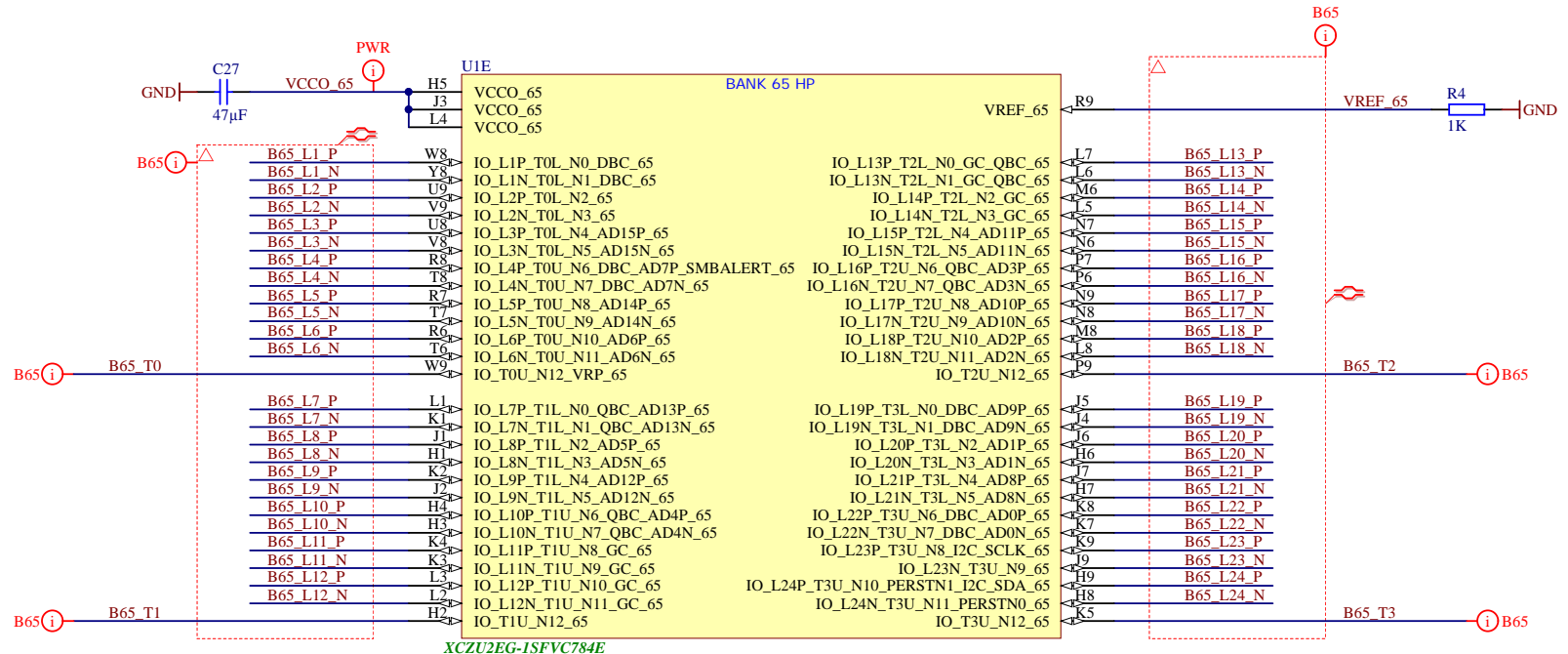
	Title: TE0803 - B64		
	A4	Number: TE0803 02EG-1EA	Rev. 01
	Date: 2016-12-23	Copyright: Trenz Electronic GmbH / TT	Page 8 of 26
	Filename: B64.SchDoc		

1

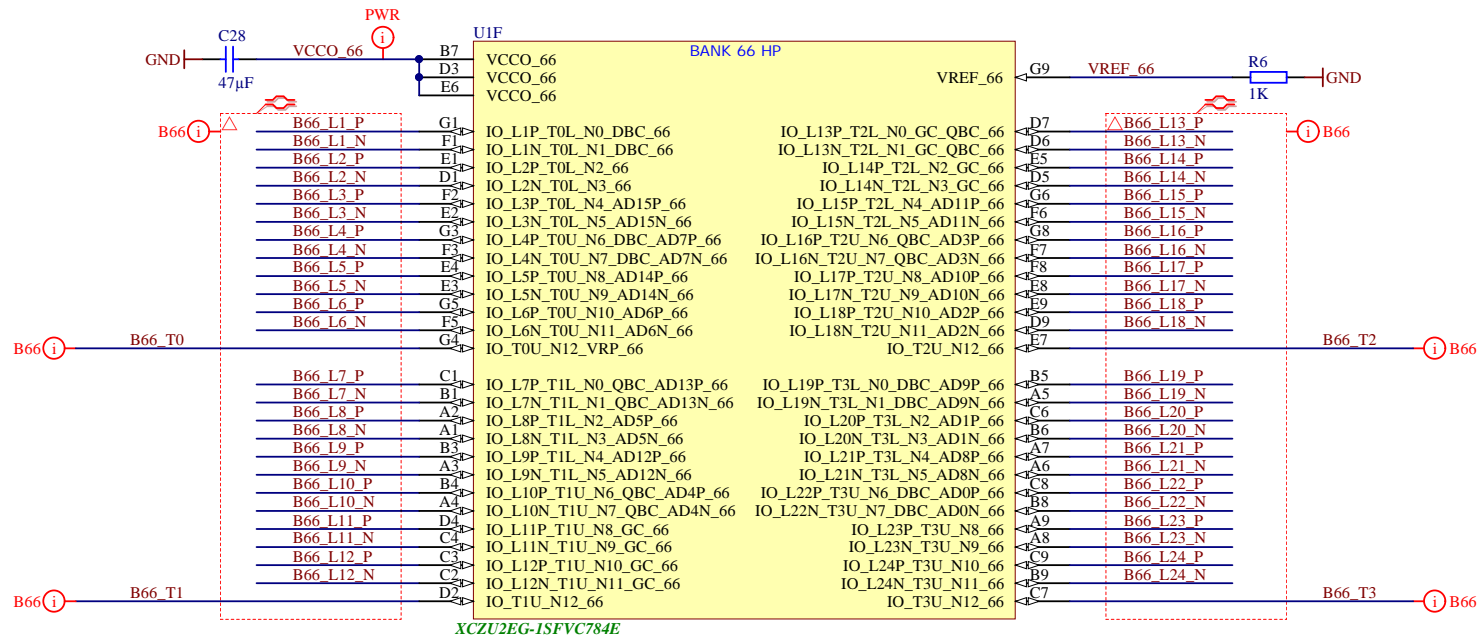
2

3

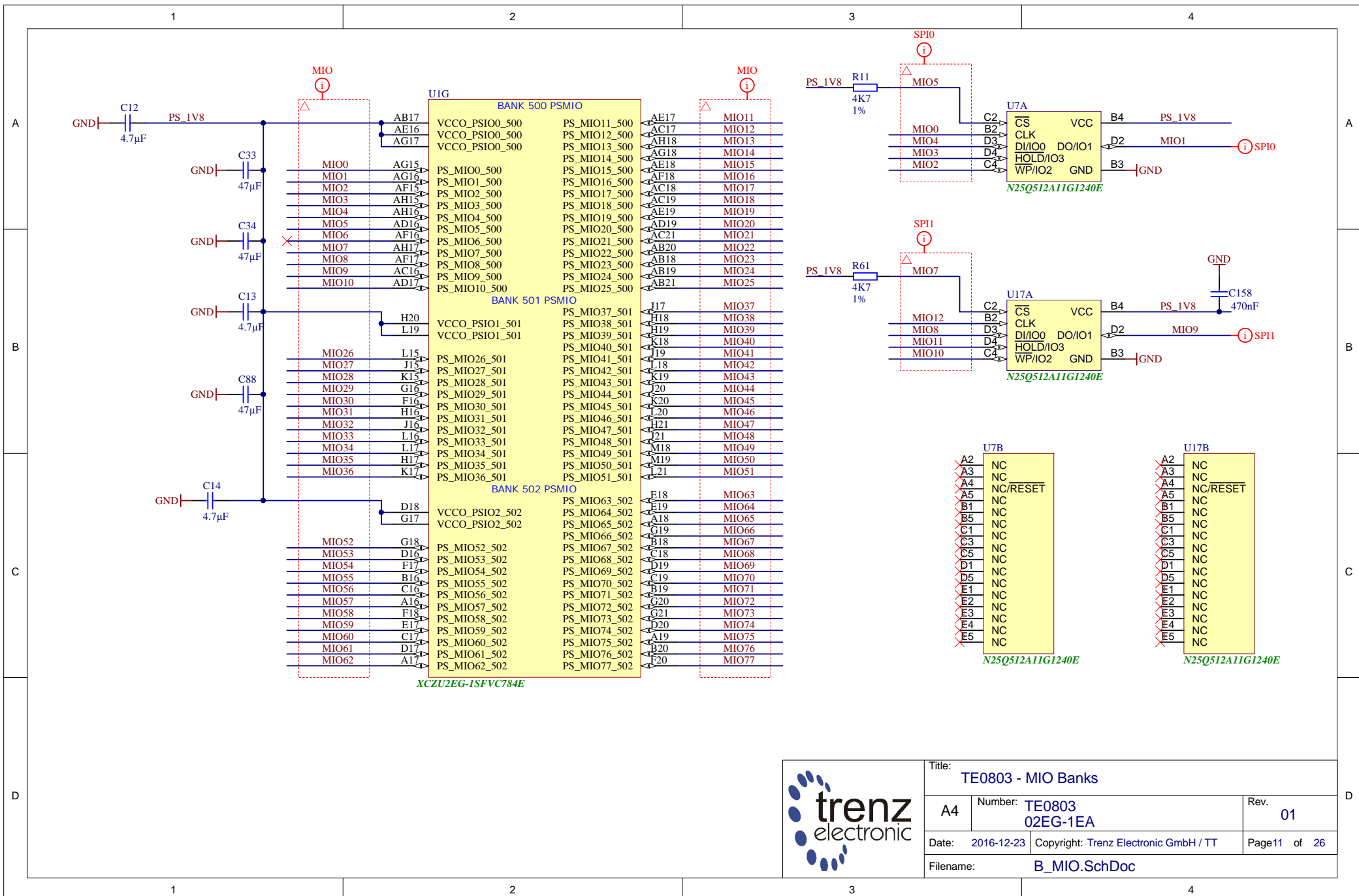
4



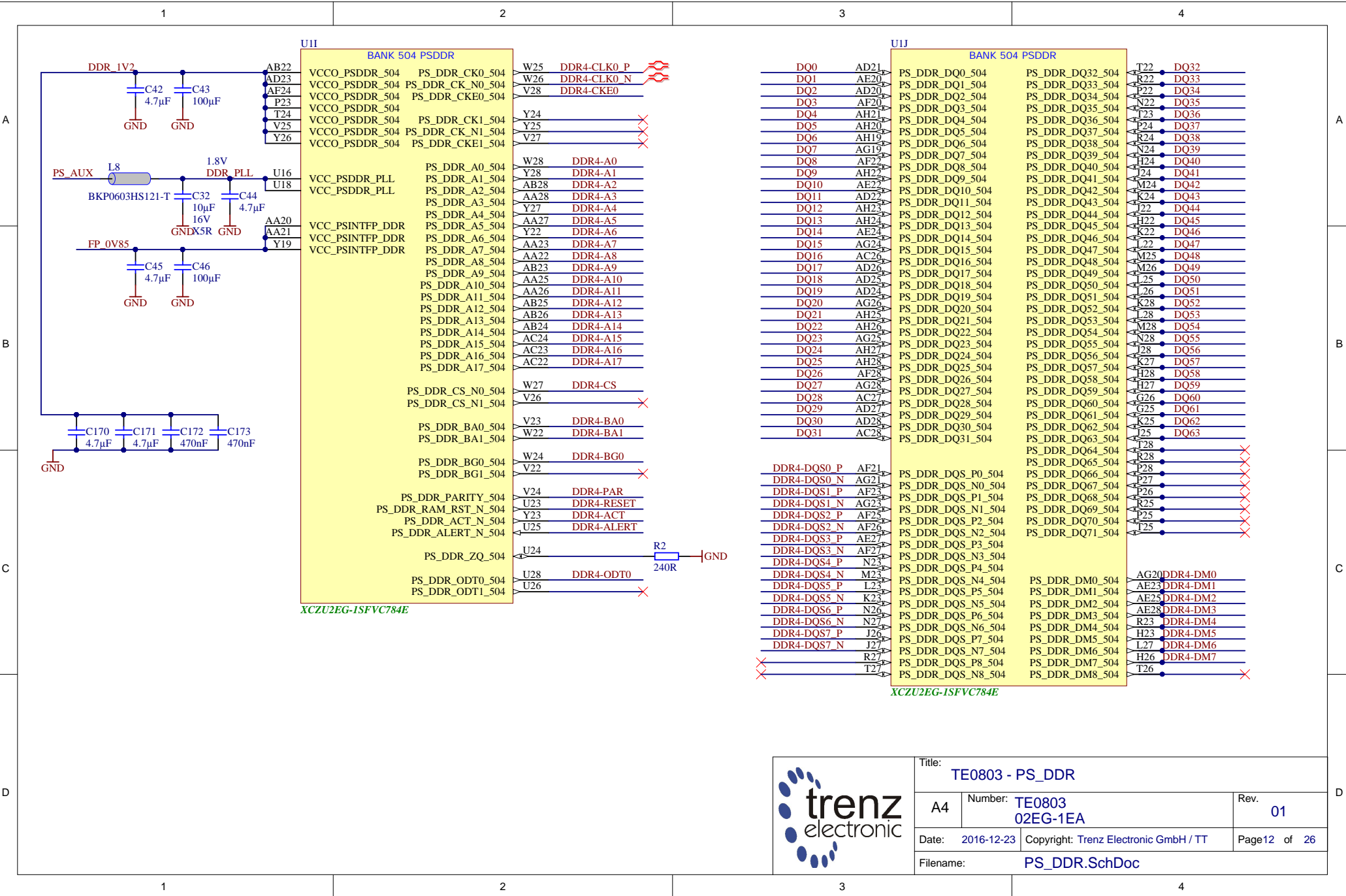
	Title: TE0803 - B65	
	A4	Number: TE0803 02EG-1EA
	Date: 2016-12-23	Copyright: Trenz Electronic GmbH / TT
	Rev. 01	Page9 of 26
Filename: B65.SchDoc		



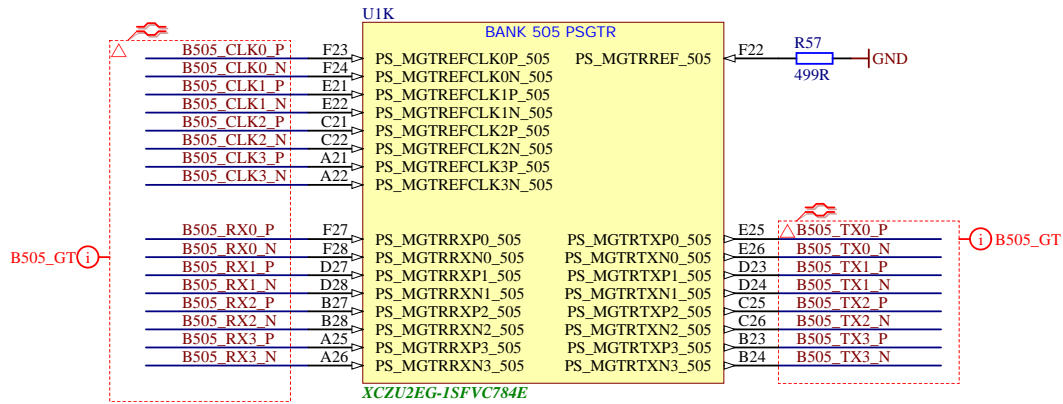
Title: TE0803 - B66		
A4	Number: TE0803 02EG-1EA	Rev. 01
Date: 2016-12-23	Copyright: Trenz Electronic GmbH / TT	Page10 of 26
Filename: B66.SchDoc		




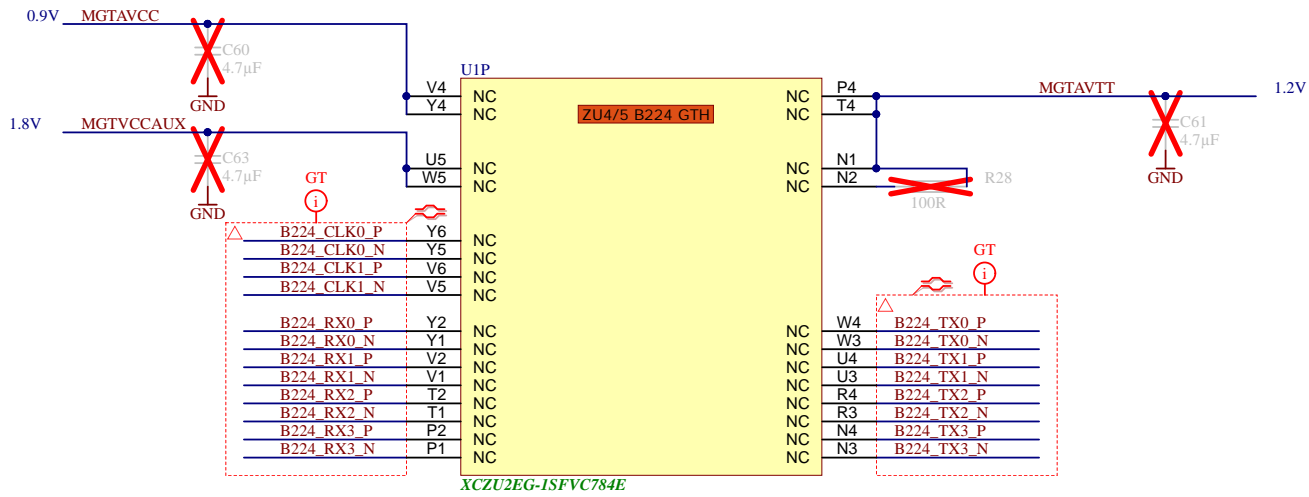
	Title: TE0803 - MIO Banks		
	A4	Number: TE0803 02EG-1EA	Rev. 01
	Date: 2016-12-23	Copyright: Trenz Electronic GmbH / TT	Page 11 of 26
	Filename: B_MIO.SchDoc		



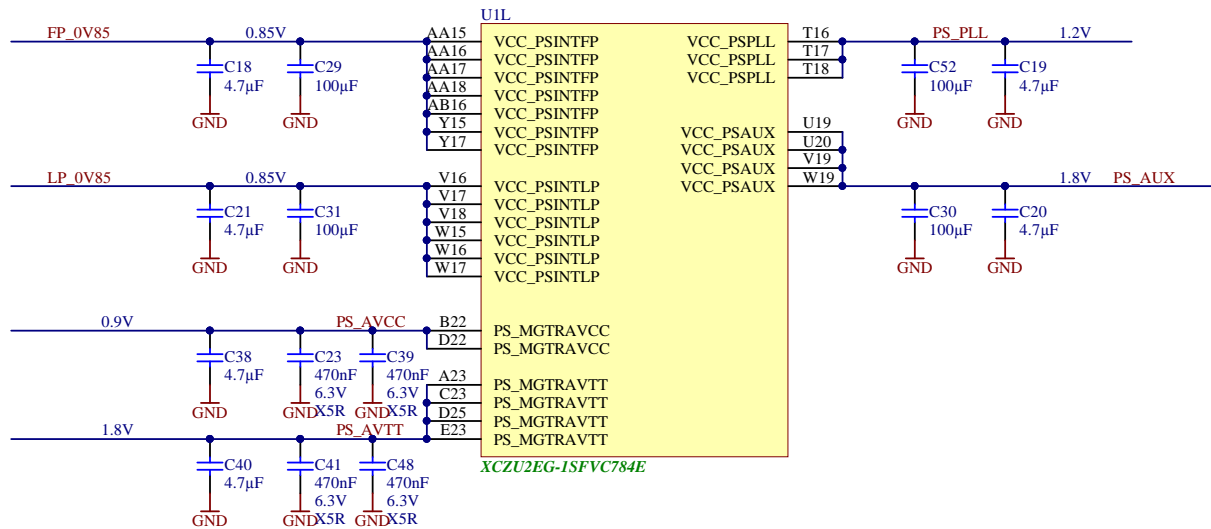
	Title: TE0803 - PS_DDR		
	A4	Number: TE0803 02EG-1EA	Rev. 01
	Date: 2016-12-23	Copyright: Trenz Electronic GmbH / TT	Page 12 of 26
	Filename: PS_DDR.SchDoc		



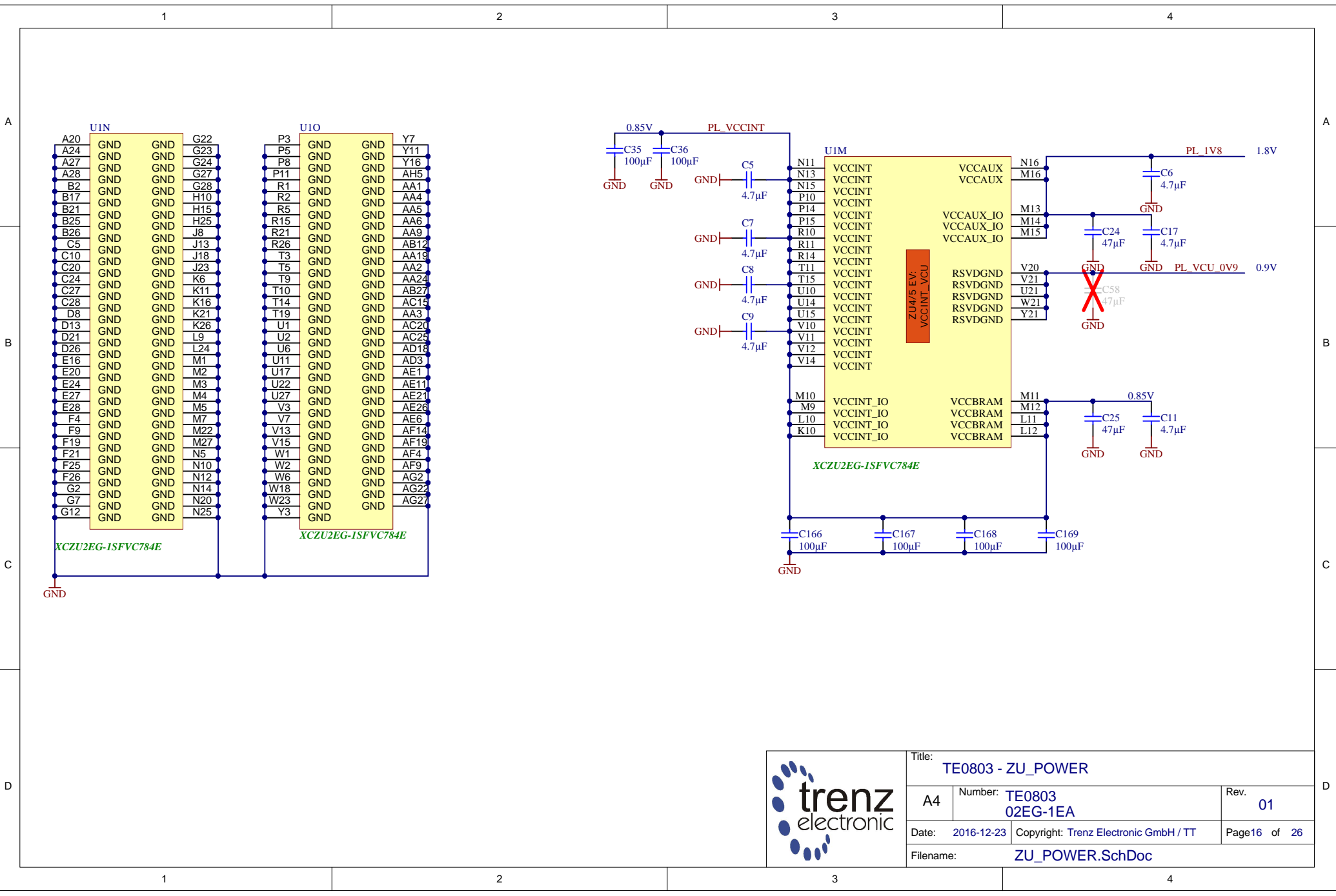
	Title: TE0803 - PS_GT		
	A4	Number: TE0803 02EG-1EA	Rev. 01
	Date: 2016-12-23	Copyright: Trenz Electronic GmbH / TT	Page 13 of 26
	Filename: B_PS_GT.SchDoc		




Title: TE0803 - B224GTH		
A4	Number: TE0803 02EG-1EA	Rev. 01
Date: 2016-12-23	Copyright: Trenz Electronic GmbH / TT	Page 14 of 26
Filename: B_GT.SchDoc		



Title: TE0803 - ZU_PS_POWER		
A4	Number: TE0803 02EG-1EA	Rev. 01
Date: 2016-12-23	Copyright: Trenz Electronic GmbH / TT	Page 15 of 26
Filename: ZU_PS_POWER.SchDoc		



			Title: TE0803 - ZU_POWER	
			A4	Number: TE0803 02EG-1EA
Date: 2016-12-23		Copyright: Trenz Electronic GmbH / TT		Page16 of 26
Filename: ZU_POWER.SchDoc				

1

2

3

4

A

A

B

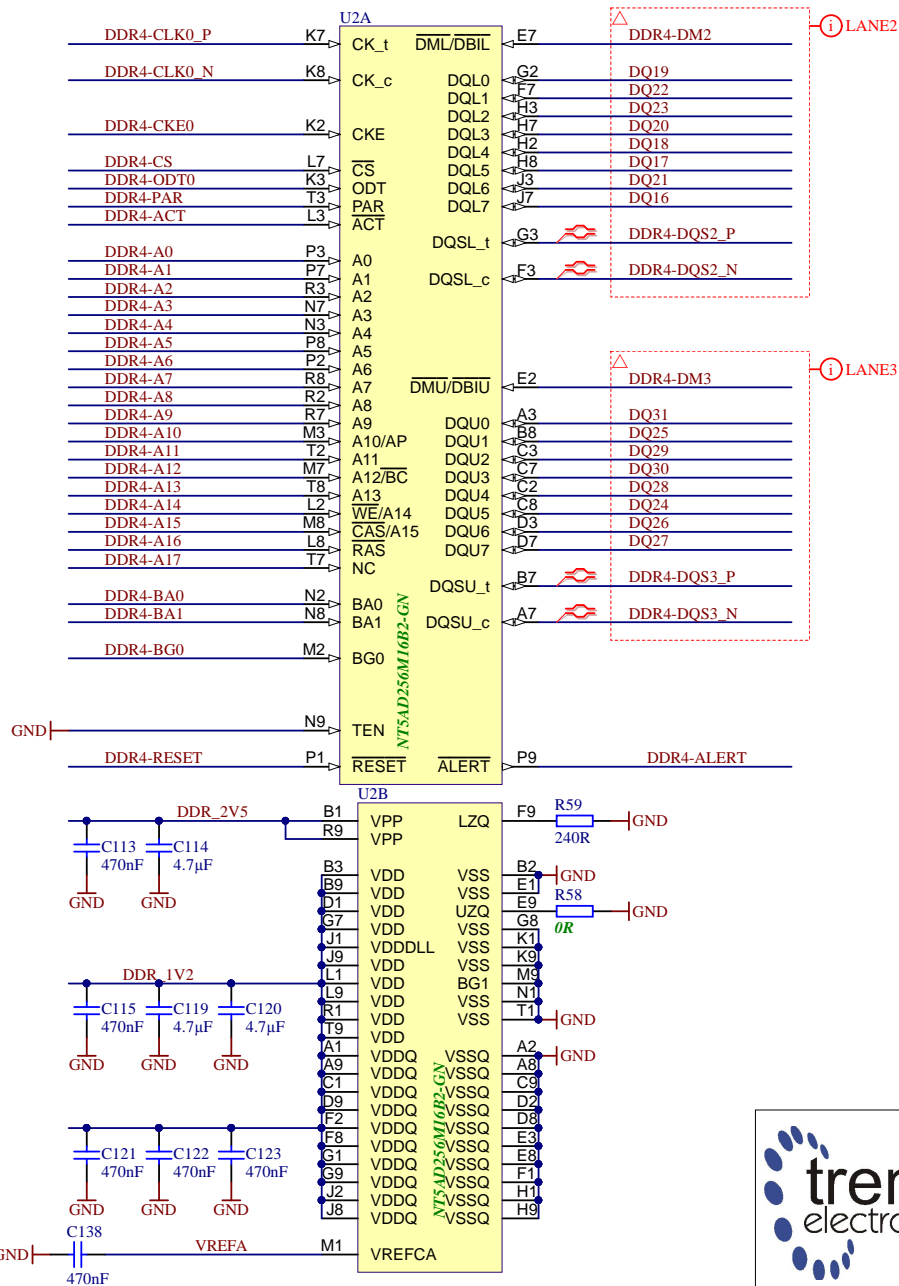

B

C

C

D

D

Title: TE0803 - DDR4_1_RAM		
A4	Number: TE0803 02EG-1EA	Rev. 01
Date: 2016-12-23	Copyright: Trenz Electronic GmbH / TT	Page 17 of 26
Filename: DDR4-RAM.SchDoc		

1

2

3

4

1

2

3

4

A

A

B

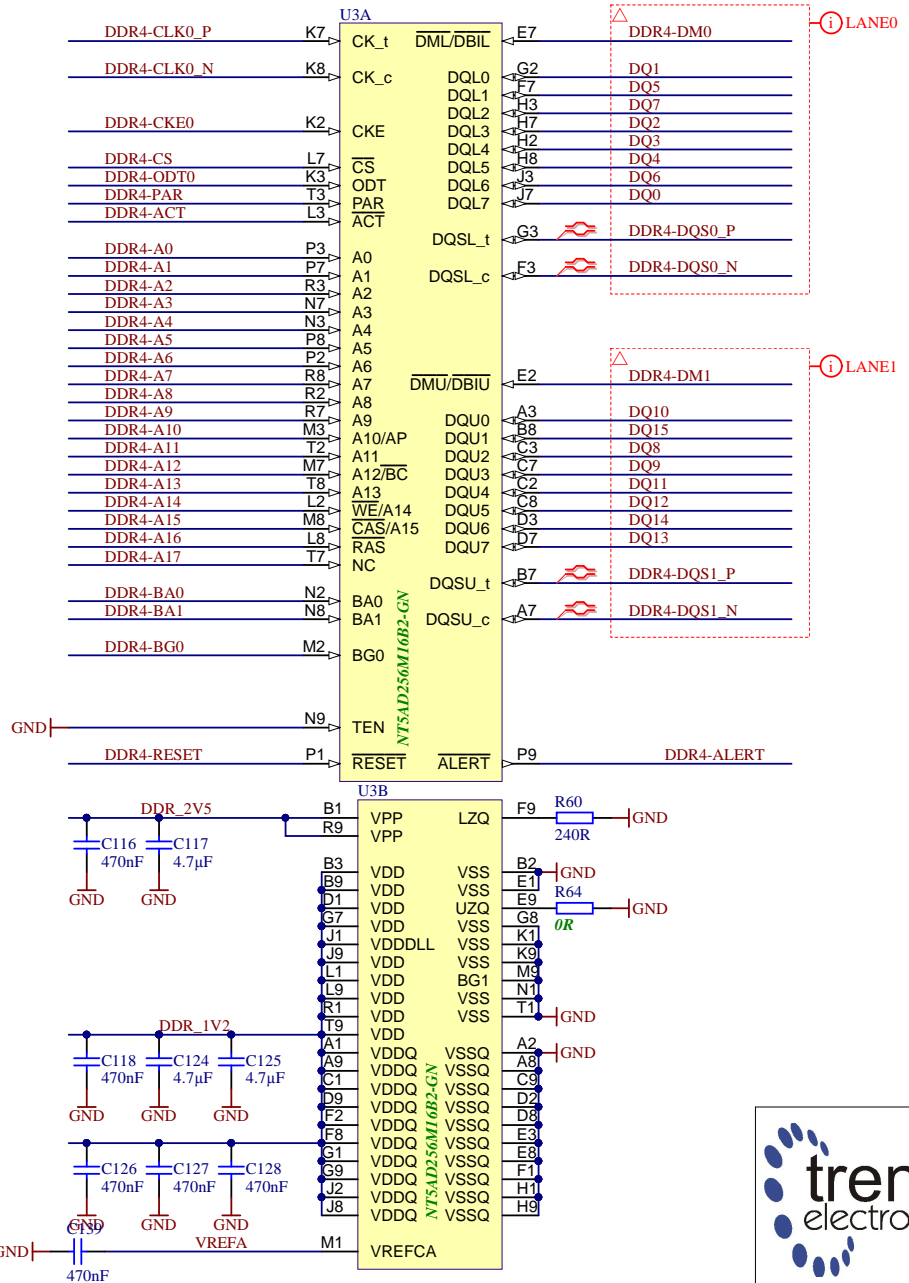

B

C

C

D

D

Title: TE0803 - DDR4_2_RAM		
A4	Number: TE0803 02EG-1EA	Rev. 01
Date: 2016-12-23	Copyright: Trenz Electronic GmbH / TT	Page 18 of 26
Filename: DDR4-RAM_2.SchDoc		

1

2

3

4

1

2

3

4

A

A

B

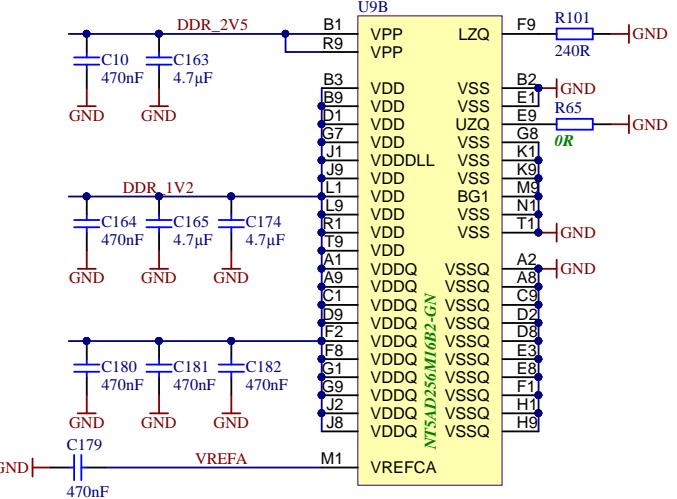
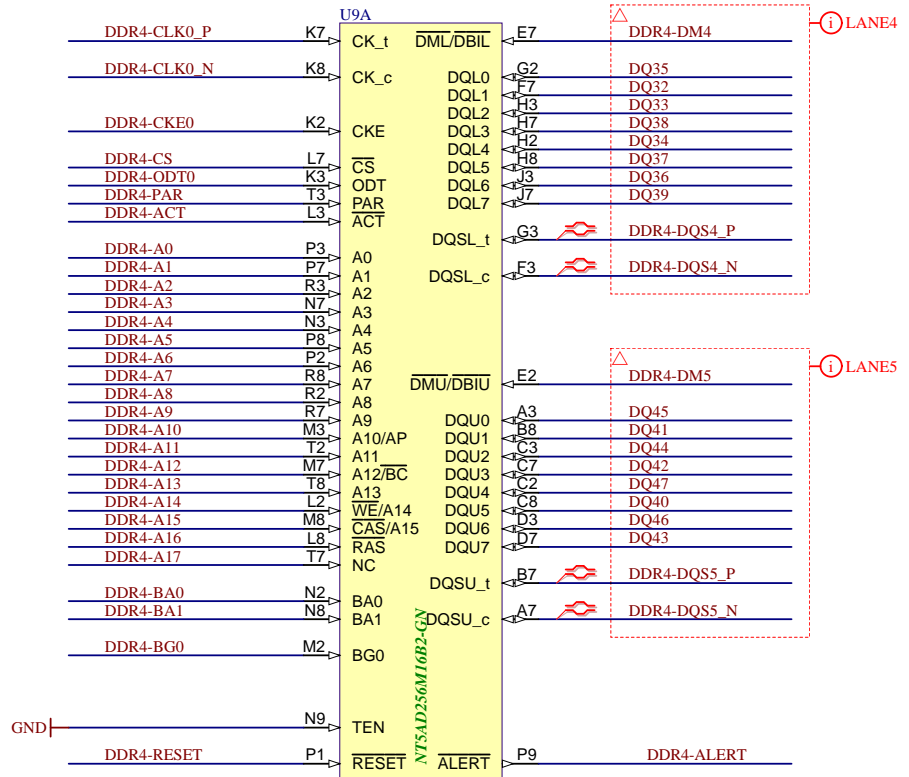
B

C

C

D

D



Title: TE0803 - DDR4_3_RAM		
A4	Number: TE0803 02EG-1EA	Rev. 01
Date: 2016-12-23	Copyright: Trenz Electronic GmbH / TT	Page 19 of 26
Filename: DDR4-RAM_3.SchDoc		

1

2

3

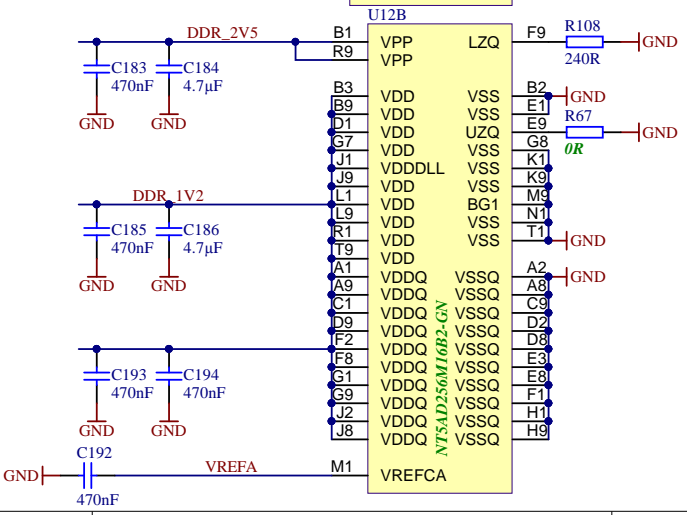
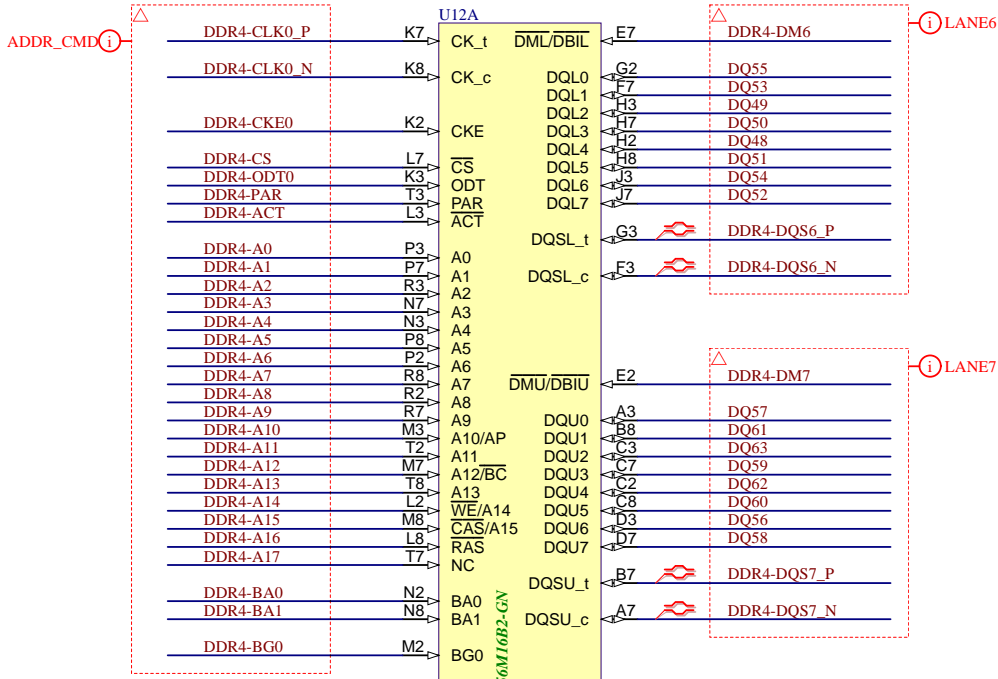
4

1

2

3

4



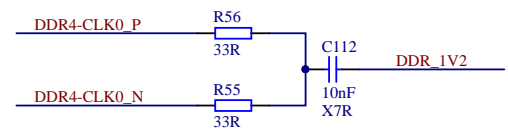
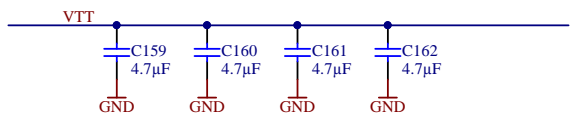
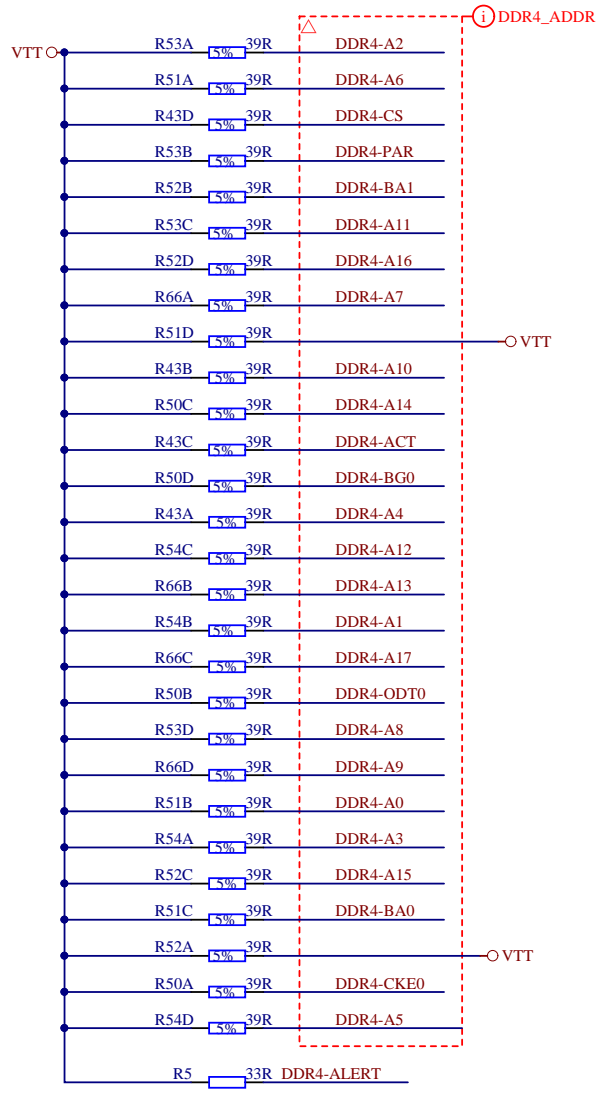

Title: TE0803 - DDR4_4_RAM		
A4	Number: TE0803 02EG-1EA	Rev. 01
Date: 2016-12-23	Copyright: Trenz Electronic GmbH / TT	Page20 of 26
Filename: DDR4-RAM_4.SchDoc		

1

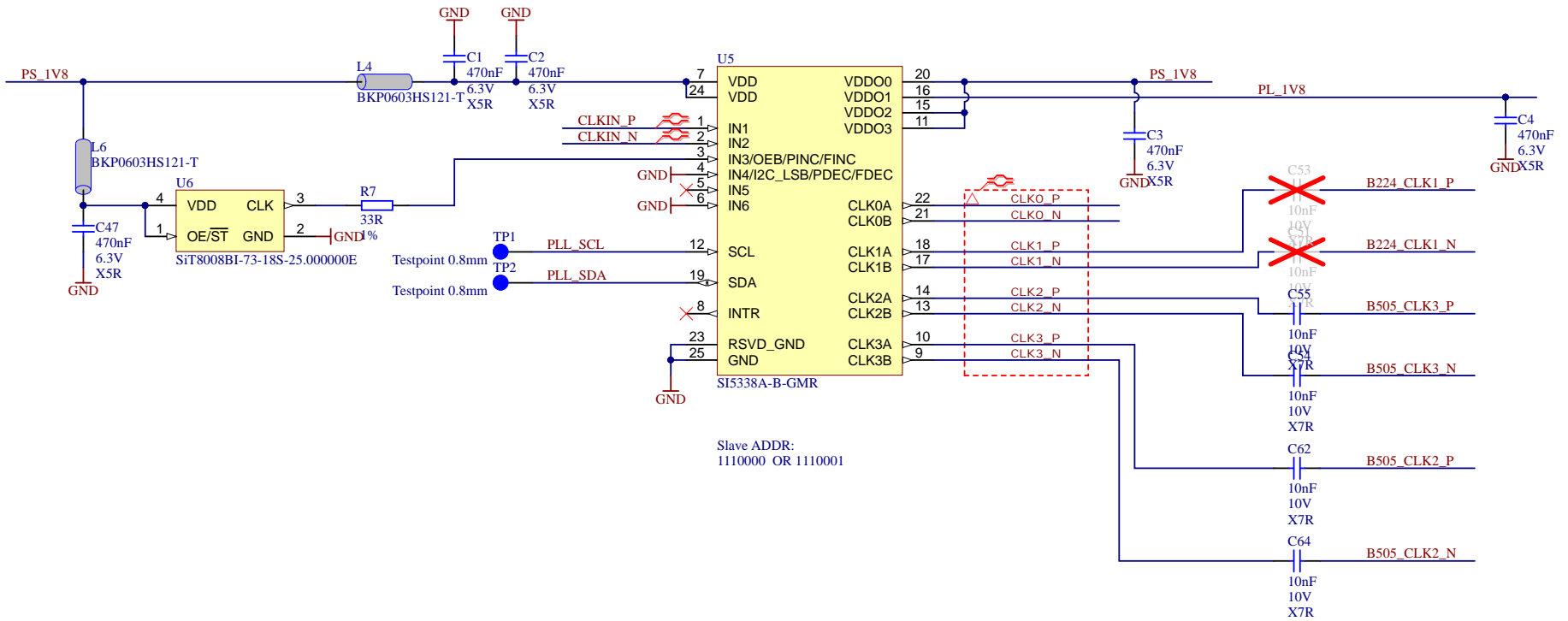
2

3

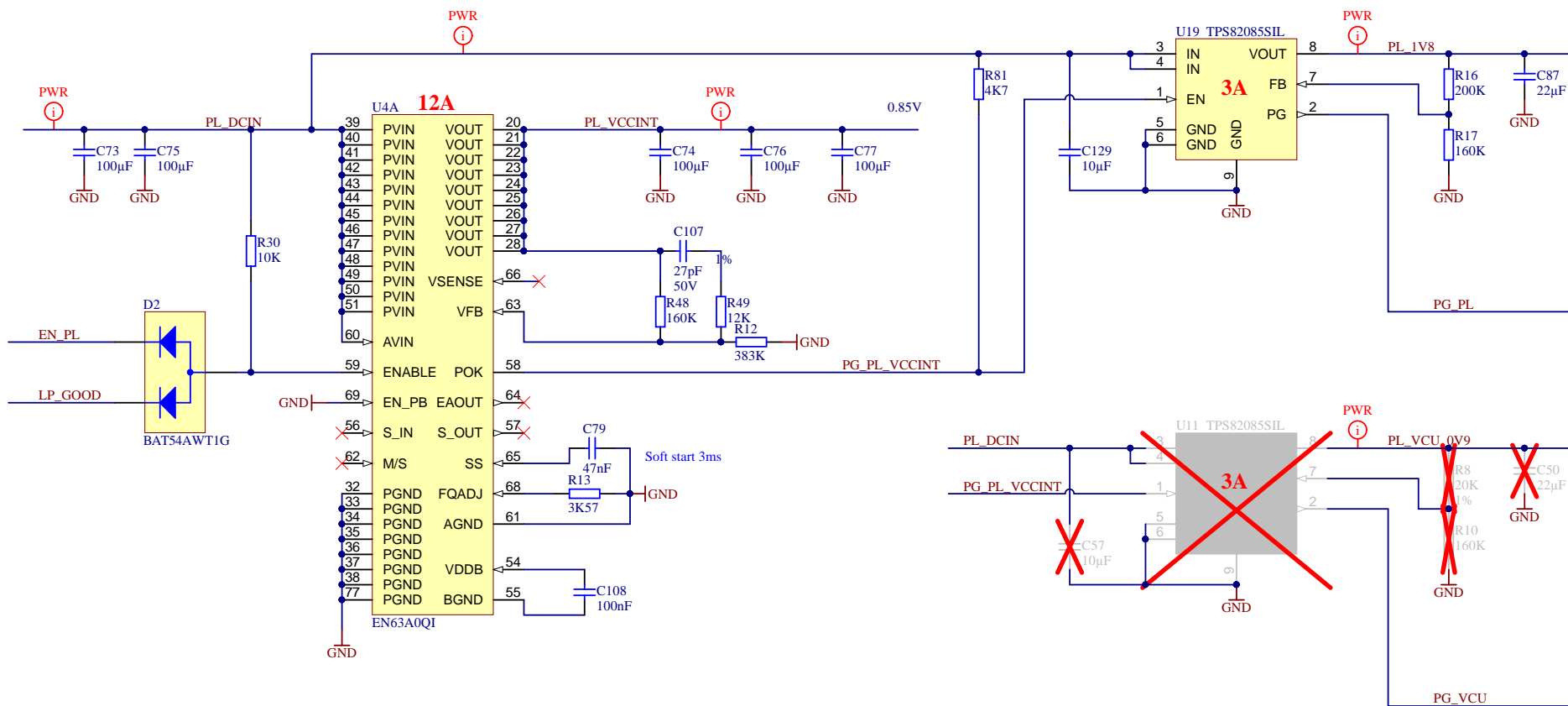
4

Title: TE0803 - DDR4_TERM		
A4	Number: TE0803 02EG-1EA	Rev. 01
Date: 2016-12-23	Copyright: Trenz Electronic GmbH / TT	Page21 of 26
Filename: DDR4-TERM.SchDoc		




Title: TE0803 - CLOCK		
A4	Number: TE0803 02EG-1EA	Rev. 01
Date: 2016-12-23	Copyright: Trenz Electronic GmbH / TT	Page22 of 26
Filename: Clock.SchDoc		

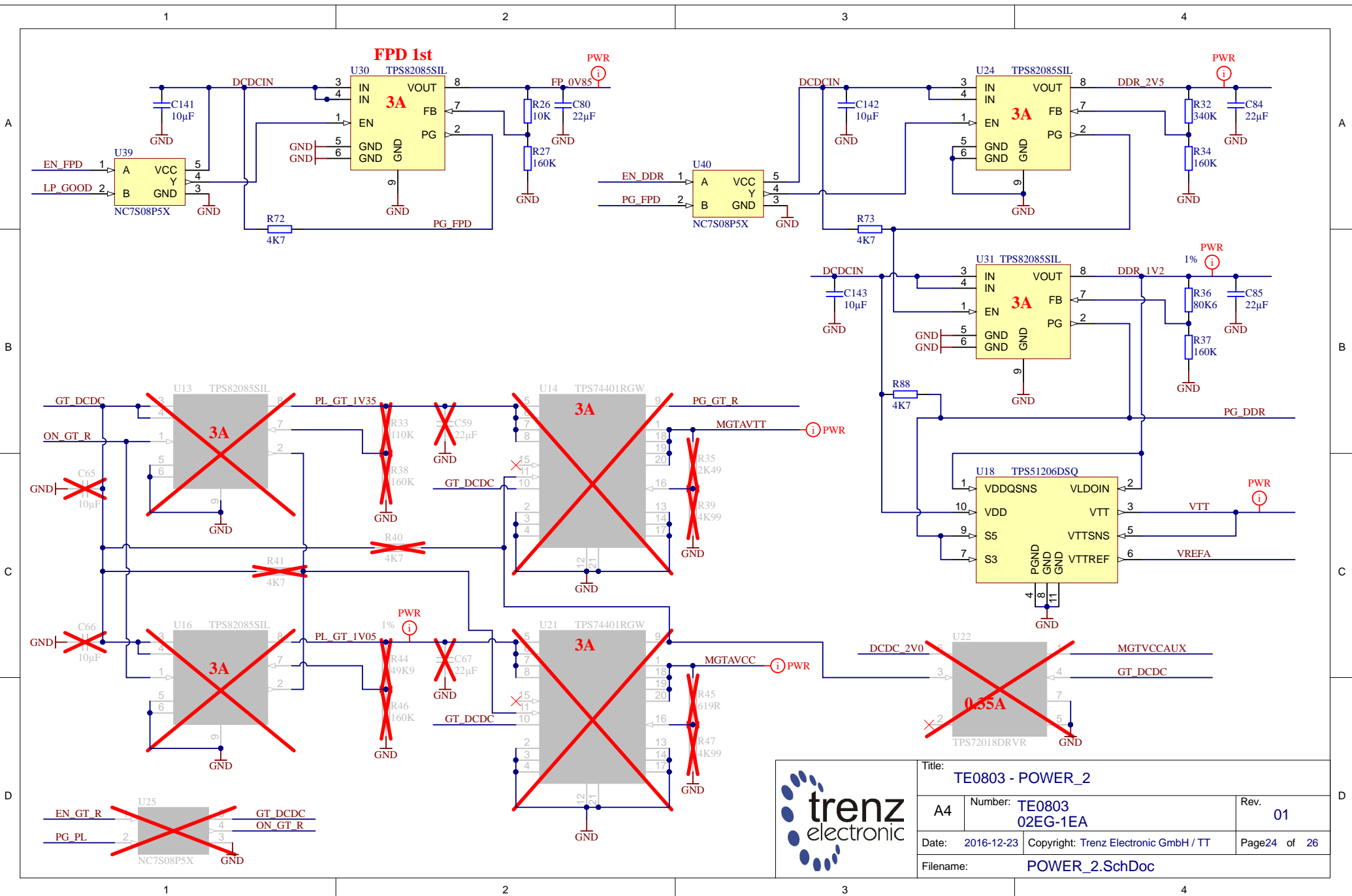


U4B
EN63A0QI

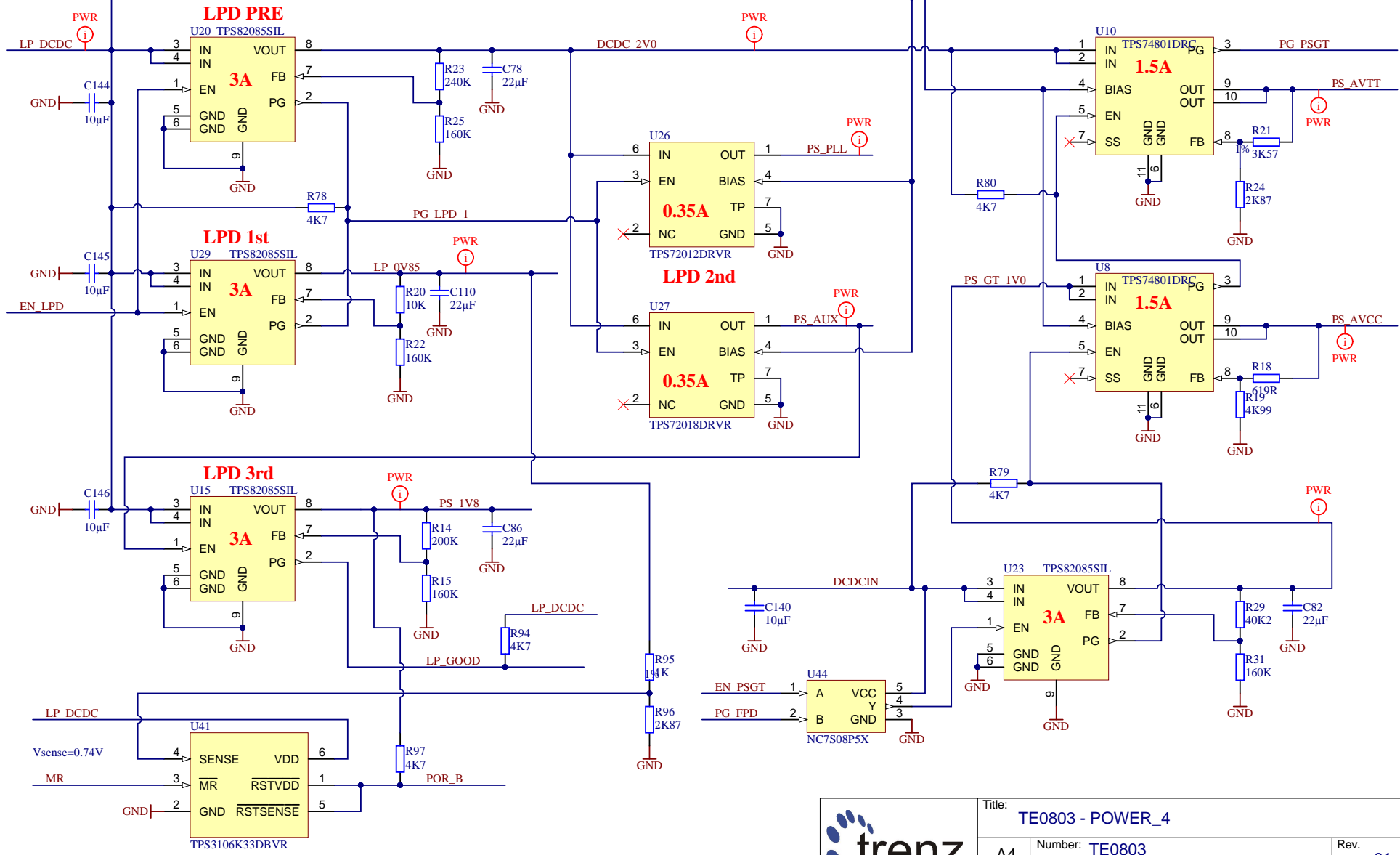
1	NC	NC	17
2	NC	NC	18
3	NC	NC	19
4	NC	NC	29
5	NC	NC	30
6	NC	NC(SW)	31
7	NC	NC(SW)	52
8	NC	NC	53
9	NC	NC	67
10	NC	NC(SW)	70
11	NC	NC(SW)	71
12	NC	NC(SW)	72
13	NC	NC	73
14	NC	NC	74
15	NC	NC	75
16	NC	NC	76




Title: TE0803 - POWER		
A4	Number: TE0803 02EG-1EA	Rev. 01
Date: 2016-12-23	Copyright: Trenz Electronic GmbH / TT	Page23 of 26
Filename: POWER.SchDoc		



Title: TE0803 - POWER_2		
A4	Number: TE0803 02EG-1EA	Rev. 01
Date: 2016-12-23	Copyright: Trenz Electronic GmbH / TT	Page24 of 26
Filename: POWER_2.SchDoc		



			Title: TE0803 - POWER_4	
			A4	Number: TE0803 02EG-1EA
Date: 2016-12-23		Copyright: Trenz Electronic GmbH / TT		Page25 of 26
Filename: POWER_4.SchDoc				

1

2

3

4

1

2

3

4

CHANGES REV01a (20.11.2017):

1) VCU voltage set to 0.9V, R20 changed to 40K , PL_VCU_1V0 renamed to PL_VCU_0V9.

A

A

B


B

C

C

D

D

		Title: TE0803 - Changes list	
		A4	Number: TE0803 02EG-1EA
Date: 2017-01-27		Copyright: Trenz Electronic GmbH	
Filename: Revision_Changes.SchDoc		Page 26 of 26	

1

2

3

4