

PAGE 1/2

ISSUE 22-03-22

SERIE : SPnT

PART NUMBER : R574312025

RF CHARACTERISTICS

Number of ways : **10**
 Frequency range : **0 - 3 GHz**
 Impedance : **50 Ohms**

| Frequency (GHz) | DC - 3 |
|--------------------|----------------|
| VSWR max | 1,20 |
| Insertion loss max | 0.20 dB |
| Isolation min | 80 dB |
| Average power (*) | 240 W |

TERMINATION IMPEDANCE : **50 Ohms**
 TERM. AVG. POWER AT 25° C : **1 W per termination / 3 W total power**

ELECTRICAL CHARACTERISTICS

Actuator : **NORMALLY OPEN**
 Nominal current ** : **250 mA**
 Actuator voltage (Vcc) : **12V (10.2 to 13V)**
 Terminals : **25 pins D-SUB male connector**
 Indicator rating : **1 W / 30 V / 100 mA**
 TTL inputs (E) - High level : **2.2 to 5.5 V / 800µA at 5.5 V**
 - Low level : **0 to 0.8 V / 20µA at 0.8 V**

MECHANICAL CHARACTERISTICS

Connectors : **SMA female per MIL-C 39012**
 Life : **2 million cycles per position**
 Switching Time*** : **< 15 ms**
 Construction : **Splashproof**
 Weight : **< 360 g**

ENVIRONMENTAL CHARACTERISTICS

Operating temperature range : **-40°C to +85°C**
 Storage temperature range : **-55°C to +85°C**

(* Average power at 25°C per RF Path)

(** At 25° C ±10%)

(*** Nominal voltage ; 25° C)



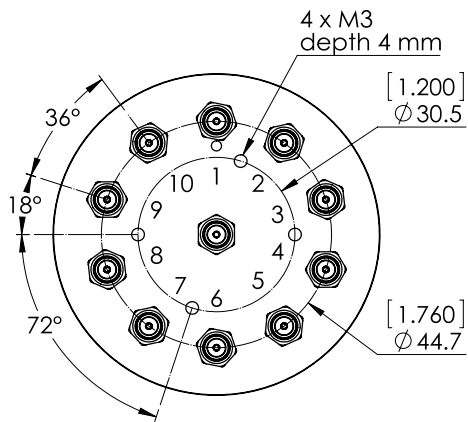
PAGE 2/2

ISSUE 22-03-22

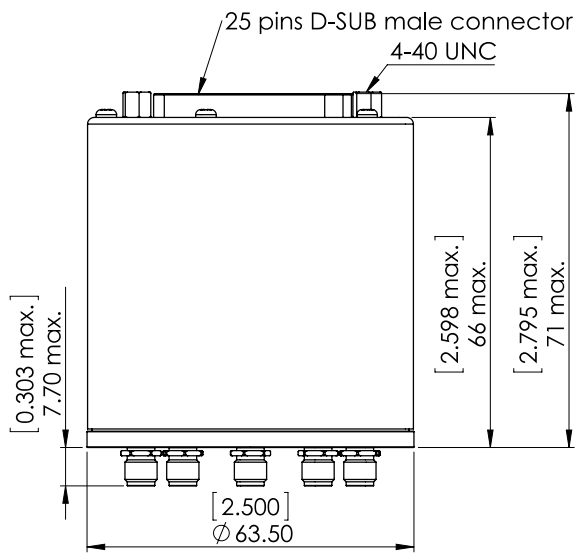
SERIE : SPnT

PART NUMBER : R574312025

DRAWING

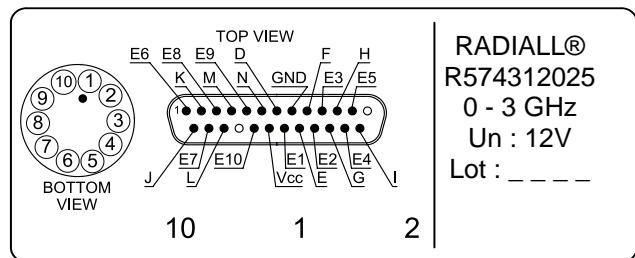


| TTL input | RF Continuity | Ind. |
|-----------|---------------|------|
| E1 = 1 | IN ↔ 1 | D.E |
| E2 = 1 | IN ↔ 2 | D.F |
| E3 = 1 | IN ↔ 3 | D.G |
| E4 = 1 | IN ↔ 4 | D.H |
| E5 = 1 | IN ↔ 5 | D.I |
| E6 = 1 | IN ↔ 6 | D.J |
| E7 = 1 | IN ↔ 7 | D.K |
| E8 = 1 | IN ↔ 8 | D.L |
| E9 = 1 | IN ↔ 9 | D.M |
| E10 = 1 | IN ↔ 10 | D.N |



General tolerances : ±0,5 mm [0,02 in]

LABEL



SCHEMATIC DIAGRAM

