


4

3

2

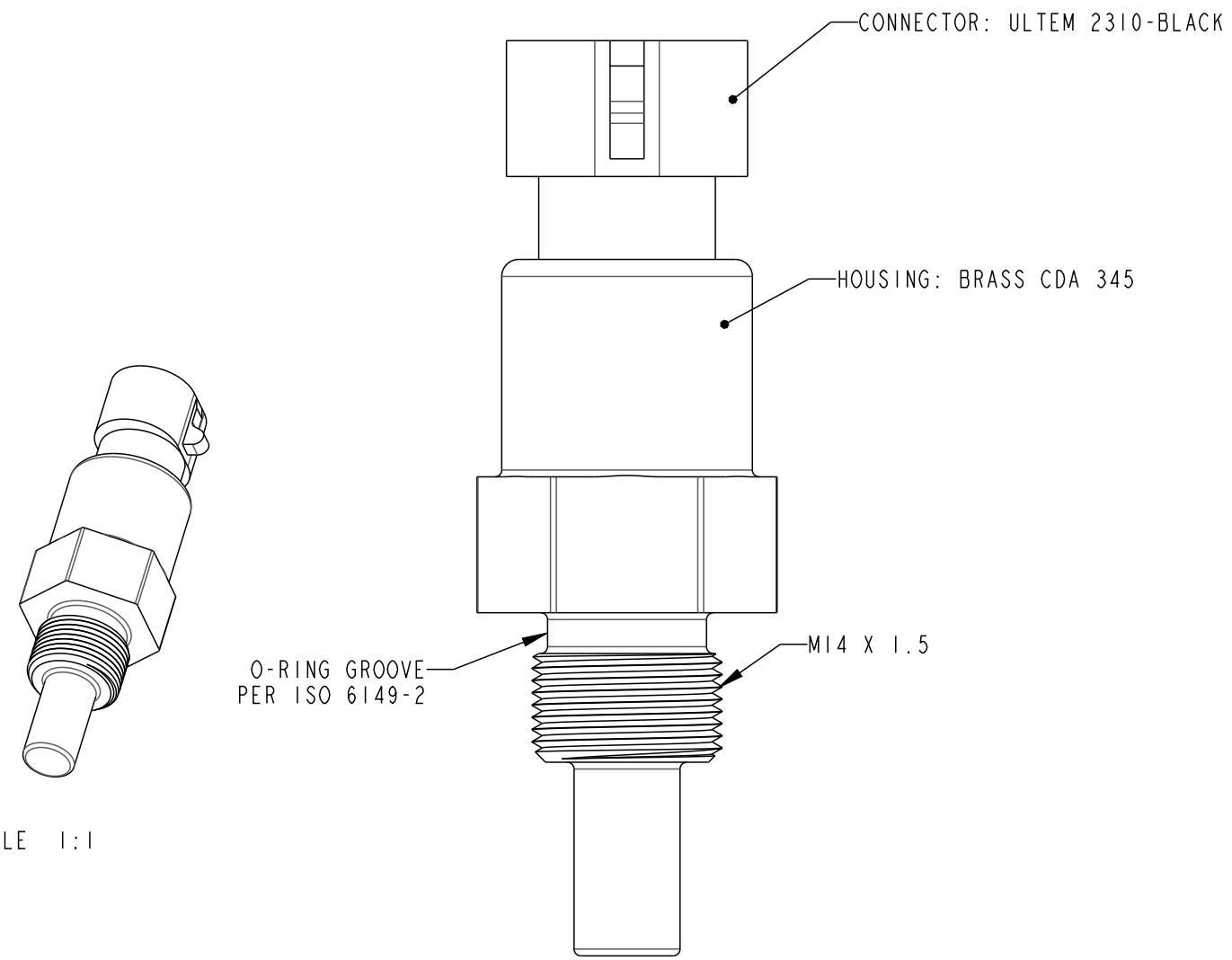
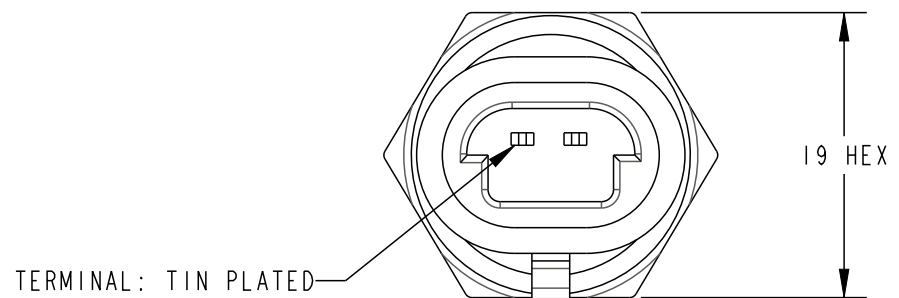
1

PROPRIETARY NOTICE: THE INFORMATION CONTAINED IN THIS DOCUMENT IS PROPRIETARY TO AMPHENOL AND SHALL NOT BE DISCLOSED IN WHOLE OR IN PART IN ANY FORM OR FOR ANY REASON EXCEPT AS EXPRESSLY STATED IN WRITING BY AMPHENOL.

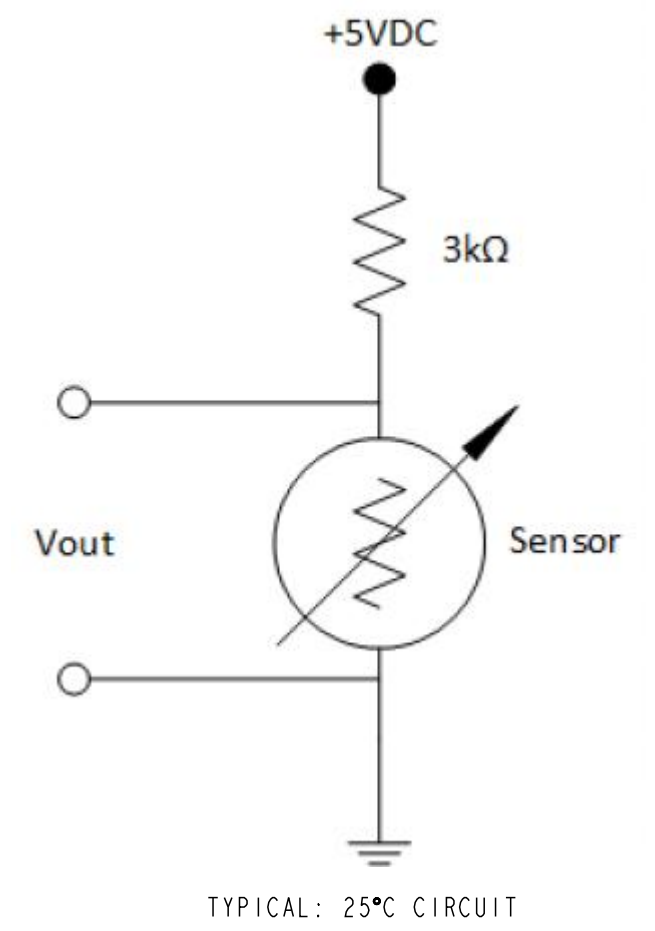
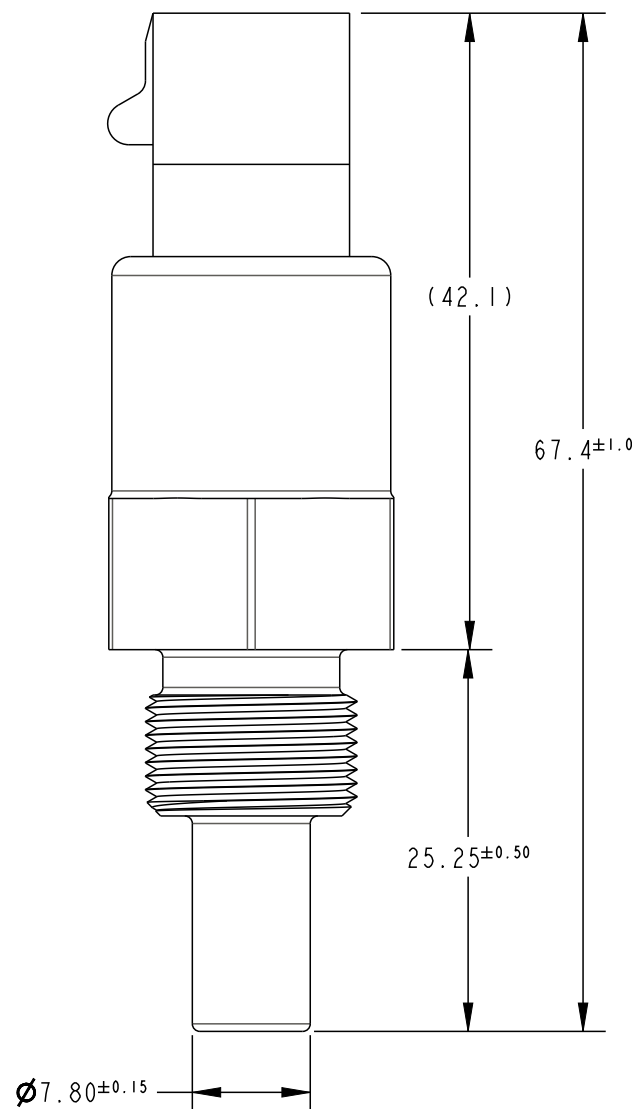
- NOTES:
1. CONTINUOUS OPERATING TEMPERATURE 85 TO 150 DEGREES C.
 2. CONNECTOR: METRI-PACK 150.2 OR GT150 3.5mm  MATING APTIV(DELPHI) PART NUMBER: 12162193,15336004 OR EQUIVILANT
 3. VOLTAGE: 5V

TEMP (°C)	RESISTANCE (OHMS)	RES TOL (+%)	RES TOL (-%)
-40	101770	5.74	9.27
25	2820	5.15	4.86
50	988.1	NOMINAL	
100	179.6	2.82	2.51
125	89.11	2.96	3.46

REVISIONS			
REV	REVISION HISTORY	DATE	APVD
A	INITIAL DRAFT	9/10/2018	STS
B	UPDATED TOL'S & RES-TABLE, REVISED NOTES, ADDED O-RING, TERMINAL & CIRCUIT NOTES	1/29/19	STS
C	UP-DATED NOTES & RES-TABLE 19 WAS 19.00, 67.4+/-1.0 WAS 67.35+/-1.0, 22.3+/-0.5 WAS 25.25+/-0.50	06/3/19	STS

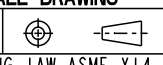


SCALE 1:1



Amphenol
Advanced Sensors St. Marys, PA 15857

TITLE: FLUID TEMPERATURE SENSORS

UNLESS OTHERWISE SPECIFIED DIMENSIONS ARE IN MM TOLERANCES ARE: .X ± 0.5 .XX ± 0.25	APPROVALS		DATE
	DRAWN	MED	09/10/18
ANGLES ± 2°	CHECKED	STS	09/10/18
	DO NOT SCALE DRAWING		ENGR MED 09/10/18
THIRD ANGLE PROJECTION 	OC		
INTERPRET DRAWING IAW ASME Y14.5	MFG		
MATERIAL SEE DRAWING			
SIZE B	DWG NO.	GE-1067	REV C
SCALE 2:1	SHEET 1 OF 1		

LEGAL NOTICE - THIS DRAWING AND ANY INTELLECTUAL PROPERTY RIGHTS THERE IN ARE PROPERTY OF AMPHENOL AND NO LICENSES ARE GRANTED UNDER THOSE RIGHTS.

4

3

2

1