

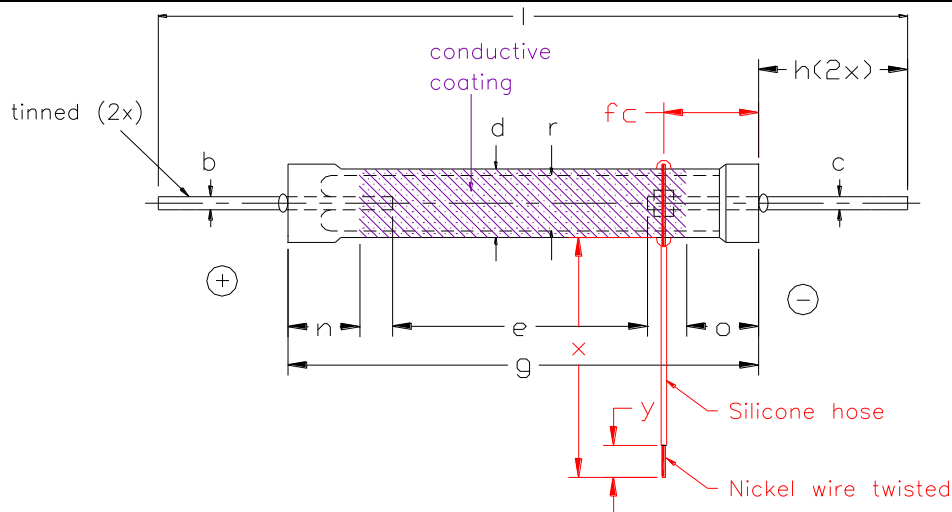
**Device Name:** BGGP 6330 (N)(H)

**Date :** 08/20/2015

**Mechanical Data :**

**Rev Date : Index #:**

**ISSUED BY :** Zhan Sam



e	30+/-1	b	1.2+/-0.1	x	50+/-5
g	44.5+/-1	c	0.8+/-0.1	y	6+/-3
l	50.5+/-1	n/o	4.0+/-0.8		
d	4.0+/-0.2	fc	6.0+/-1		
r	2.4+/-0.1	h	3+/-1		

**Without Colour Corrective Coating:**

Remarks : Envelop material: B2  
RoHS complaints  
Excelitas bau#: 96324720

**Operating Data :**

**Type of Circuit : Doubler**

Max flash energy $E_{max}/Ws$	49	Trigger coil $Tr$	ZS 1052(H)
Nom flash energy $E_{nom}/Ws$		Trigger capacitor $Cz/\mu F$	0.22
Max anode voltage $U_{amax}/V$	350	Min trigger voltage $U_{zmin}/V$	250
Nom anode voltage $U_{anom}/V$	325	Trigger contact S	SCR
Min anode voltage $U_{amin}/V$	300	Repetition rate /Frequency	5 sec
Nom flash capacitor $CB/\mu F$	800	Life/Number of flashes/N	*TBD
Series resistor $R/m W$		Light reduction after life/%	< 10
Series inductance $L/\mu H$		Sec trigger voltage $U_{zsec}/kV$	- 10.8
Max $I_{peak} /A$ at $U_a =$			

Customer Reference :

Remarks : \*life @  $E_{nom}$ ,  $T_{req}=5$  sec, life flashes is to be determined

Excelitas Proprietary & Confidential

HS-DDC-H24-0003  
Excelitas  
www.excelitas.com