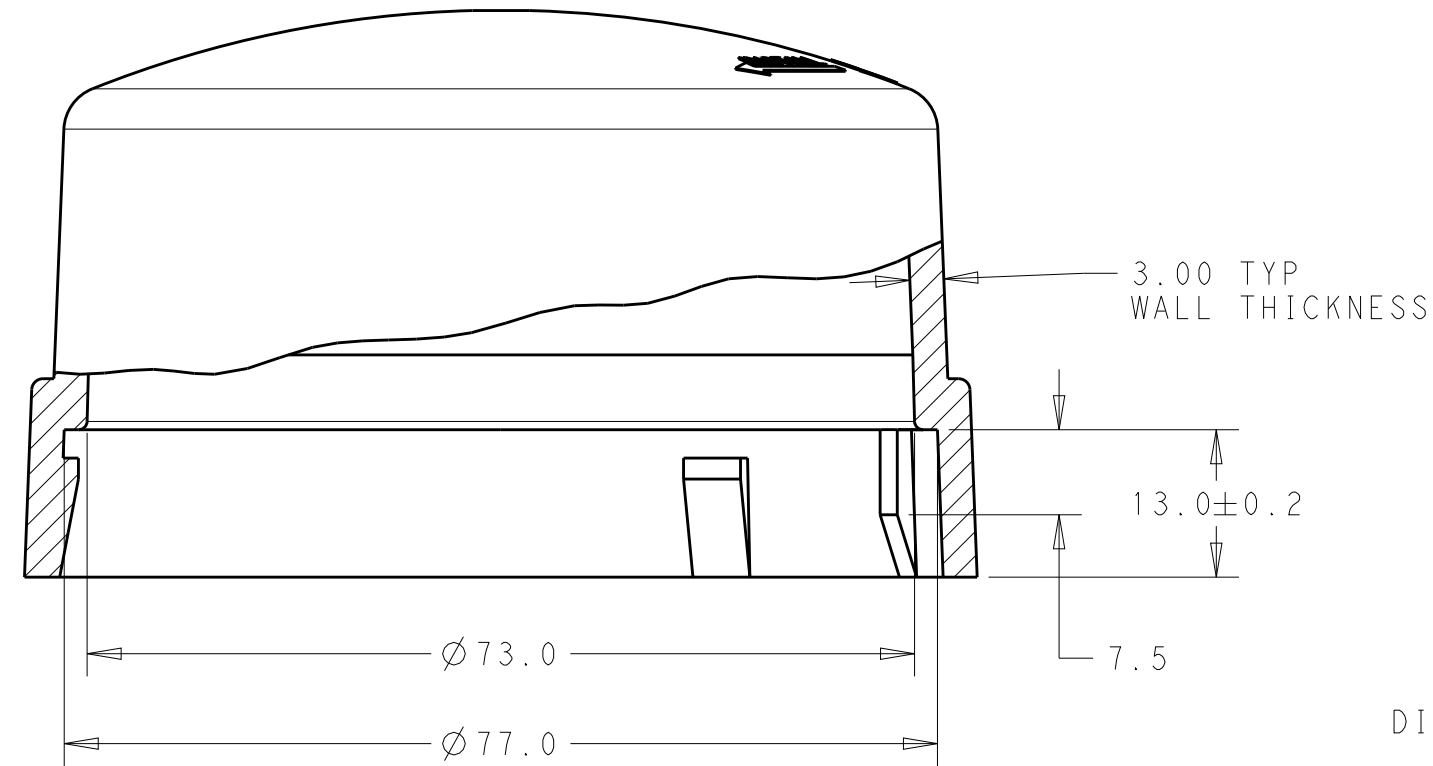
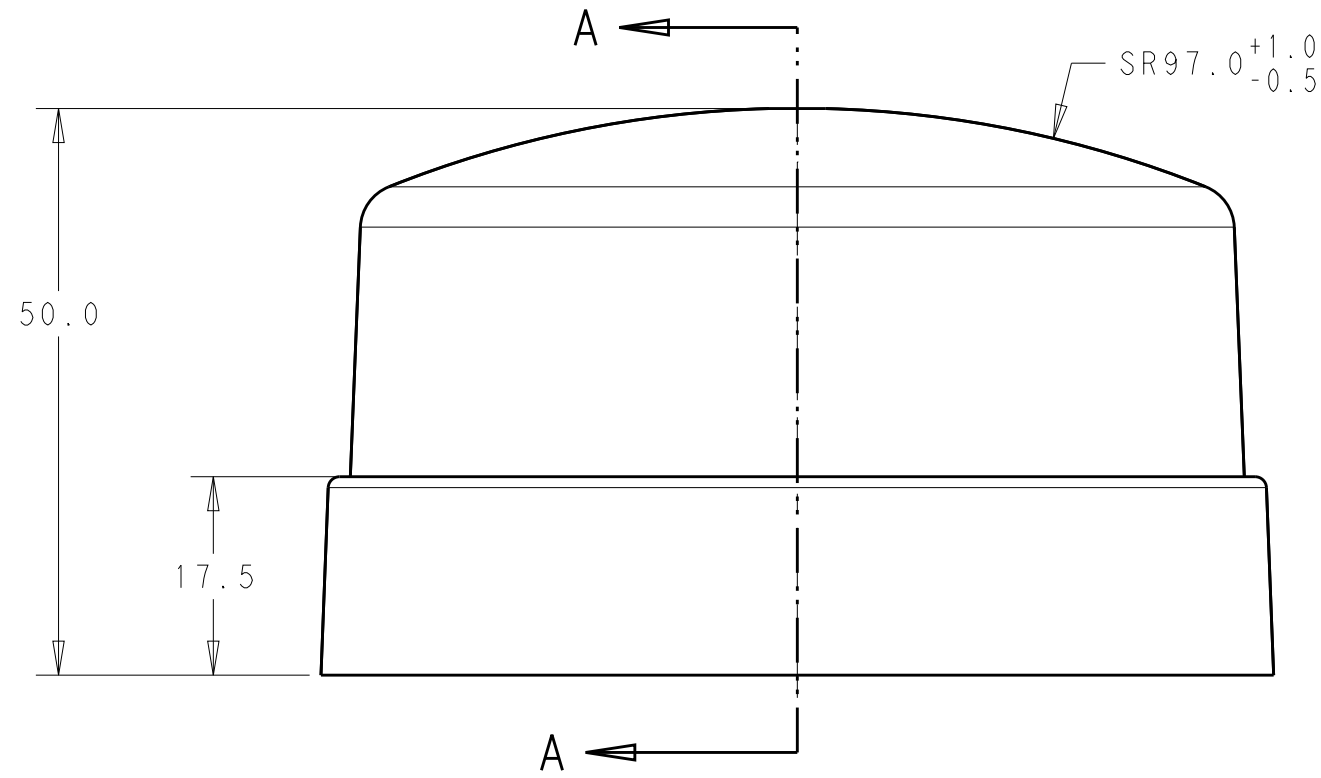


THIS DRAWING IS UNPUBLISHED. RELEASED FOR PUBLICATION 20
 © COPYRIGHT 20 BY - ALL RIGHTS RESERVED.

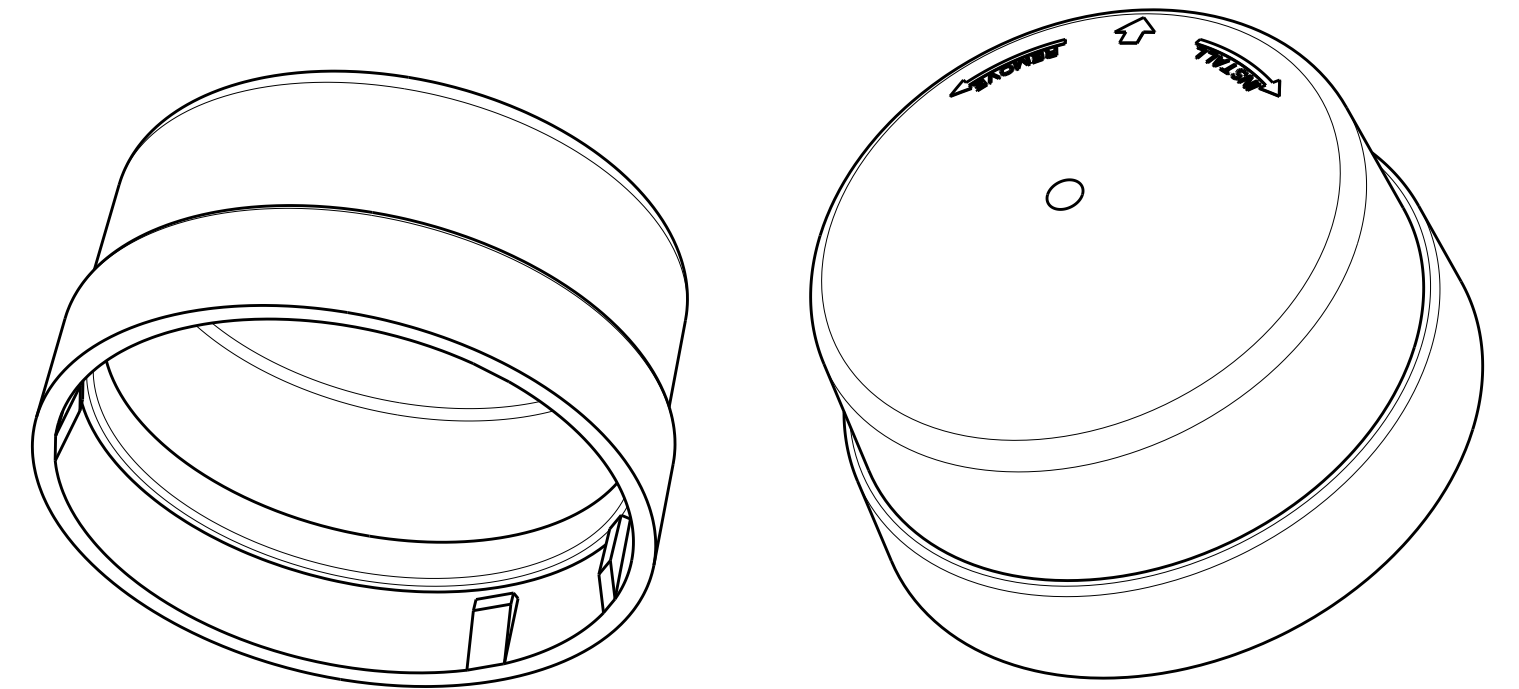
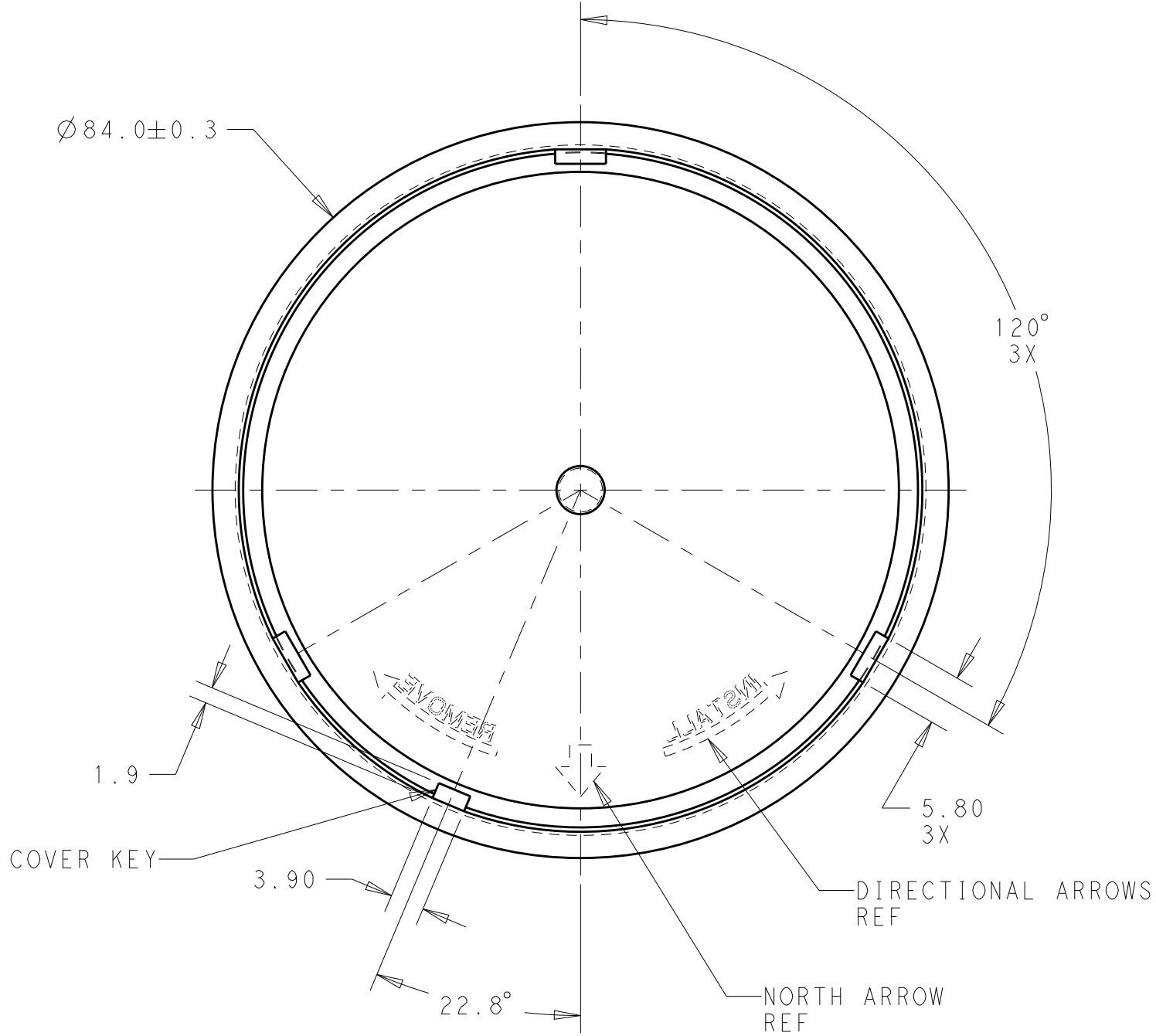
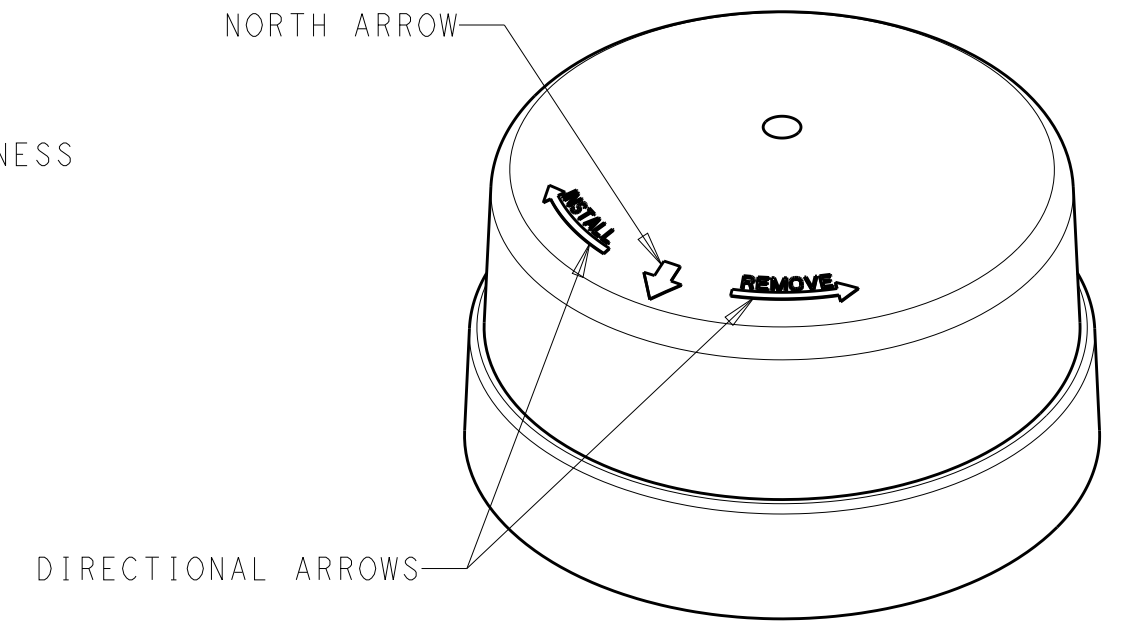
REVISIONS					
P	LTR	DESCRIPTION	DATE	DWN	APVD
A		REVISED PER ECO-17-010638	21JUL2017	RK	DD
B		REVISED PER ECR-19-010486	10JUL2019	SR	DD

NOTES:

- 1 MATERIALS:
 HOUSING: POLYCARBONATE, UV 5VA RATED
 COLOR: SEE TABLE
- 2 MATING BASE TE P/N: 2213730-X
- 3. THIS PRODUCT HAS NOT COMPLETED VALIDATION TESTING.



SECTION A-A



78%	TRANSPARENT CLEAR	1-2306128-1
24%	TRANSPARENT SMOKE GRAY	2306128-1
APPROX LIGHT TRANSMISSION		PART NO.

THIS DRAWING IS A CONTROLLED DOCUMENT.		DWN J. SHAEFFER 07JUL2016	TE Connectivity	
		CHK E. HOWARD 07JUL2016		
DIMENSIONS: mm		TOLERANCES UNLESS OTHERWISE SPECIFIED: 0 PLC ± 1 PLC ±0.3 2 PLC ±0.25 3 PLC ± 4 PLC ± ANGLES ±3° FINISH		NAME COVER, LIGHT CONTROLLER, SHORT, 76 DIA
MATERIAL -		PRODUCT SPEC 108-32125 APPLICATION SPEC 114-32159 WEIGHT -	SIZE A2	RESTRICTED TO -
CUSTOMER DRAWING		SCALE 1:1	SHEET 1 OF 1	REV B