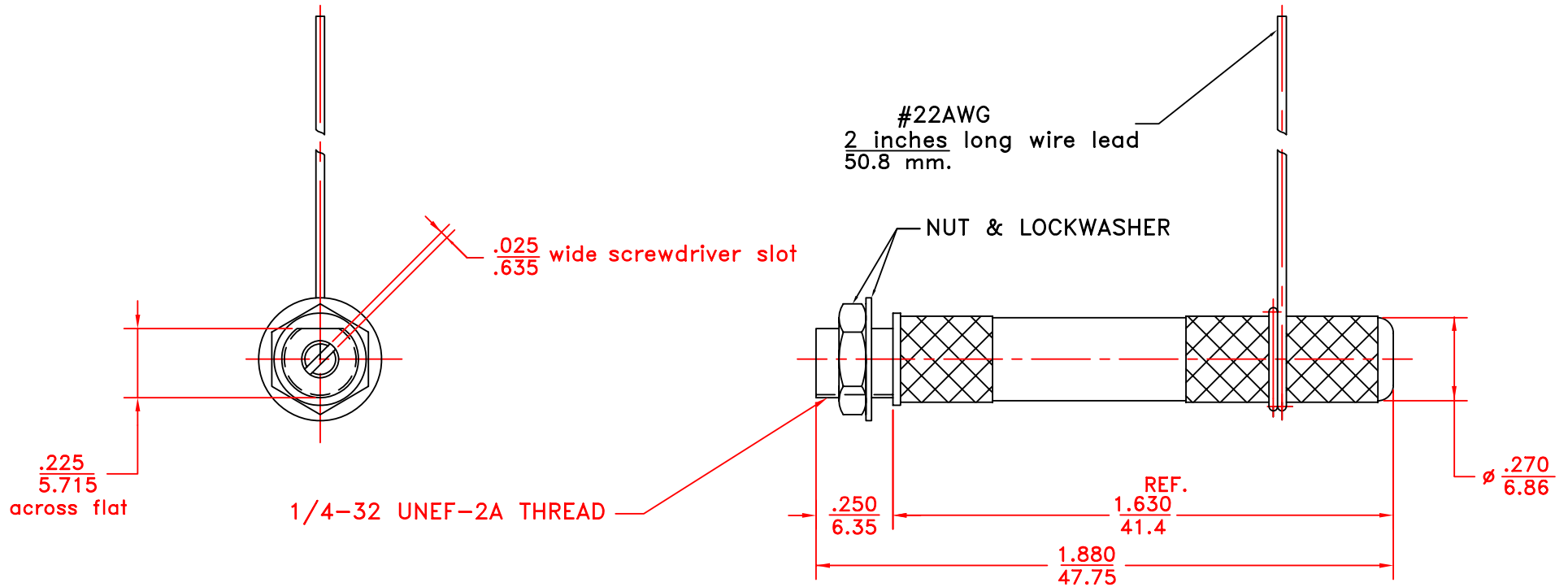


REV	DESCRIPTION	DATE	APP
00	NEW DRAWING	01/15/09	D.D.



NOTES:

1. Capacitance: Cmax over 20pF
2. Capacitance: Cmin less than 1.5 pF
3. Working voltage: 6 kVDC
4. Withstanding voltage: 12 kVDC
5. Quality factor "Q" @ 25 MHz over 1500
6. Torque .5 to 1.0 oz-in
7. Construction: 40 psi sealed, non-magnetic
8. Dimensions: in/mm
9. Operating temperature : below 4°K to +125° C.
10. TC Temperature coefficient 0 ± 300 (ppm/°C)
11. Current rating: 10 amps.
12. Rotational life: 10,000 turns.

TOLERANCES: (EXCEPT AS NOTED)		SPRAGUE GOODMAN ELECTRONICS INC. 1700 SHAMES DRIVE WESTBURY, NY 11590		
DECIMAL: ± 0.002 in ± 0.051 mm	MATERIAL:	SCALE: 2:1	DRAWN BY: R. LEVIN	
			APPROVED: D. DITLYA	
FRACTIONAL: 1/64	TITLE: OUTLINE DWG SGNMNC1206K		USED FOR:	
ANGULAR: 1°	DATE: 01/15/09	DRAWING NUMBER SGNMNC1206K		REV. 00