



Mallory Sonalert Products, Inc.

Part #:

SBS300FL

Sales Outline Drawing

Revision:

C

Specifications:	cUL Recognized as capable of meeting Medical Spec IEC60601-1-8 3rd Edition Amendment 2 Tables 3 and 4
Coil Impedance (Ω):	8 @ 1-Volt
Sound Level Category:	Extra Loud
Voltage Rating:	2.8Vp-p Square Wave
Power Rating (W):	1 W Rated 1.5 W Max
Recommended Drive:	325 Hz
Frequency:	150 to 4000 Hz
Loudness @ 10cm:	95 to 105 dB(A) Typ.
Harmonics Present:	Minimum of 4 peaks within ± 15 dB from 1-4kHz
Housing Material:	ABS 777D Plastic Resin, Black
Leading Wire:	28 AWG
Storage Temperature:	-40° to +85° C
Operating Temperature:	-30° to +65° C
Weight Typical:	1.1 oz (32g)
Options:	Please contact factory.

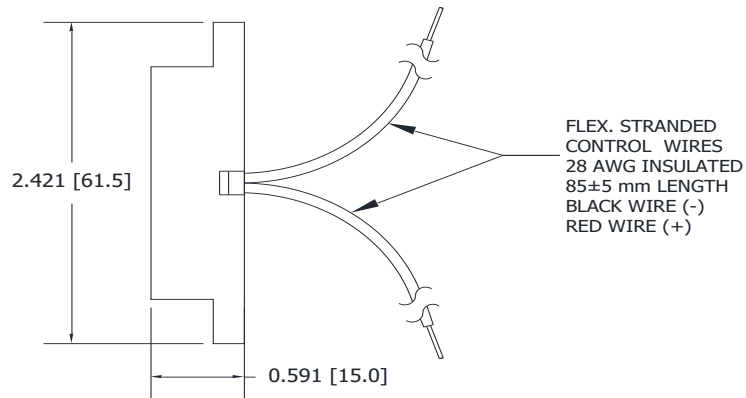
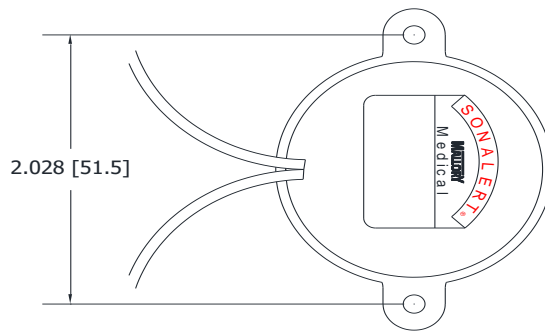
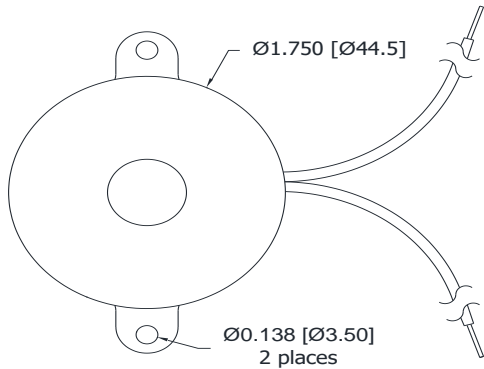
Dimensions: Inches (mm) **cUL Recognized** **ROHS Compliant**

PATENT NUMBER: 7880593

Before Code Date: 1546

Not cUL Recognized

After Code Date: 1547 cUL Recognized



tolerances: ± 0.01 [± 0.3]
 ± 0.005 [± 0.1]