

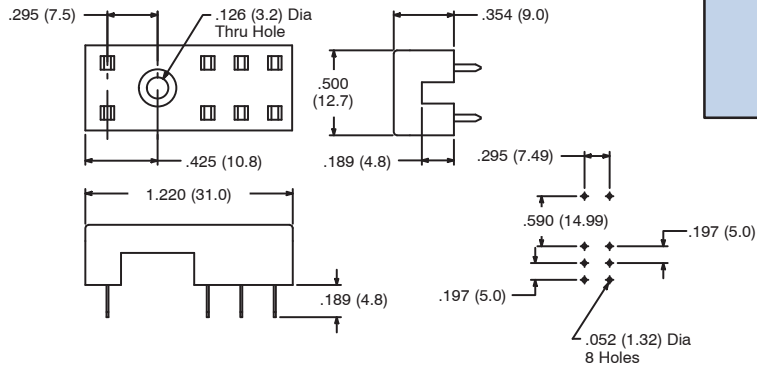
R95-132

Features

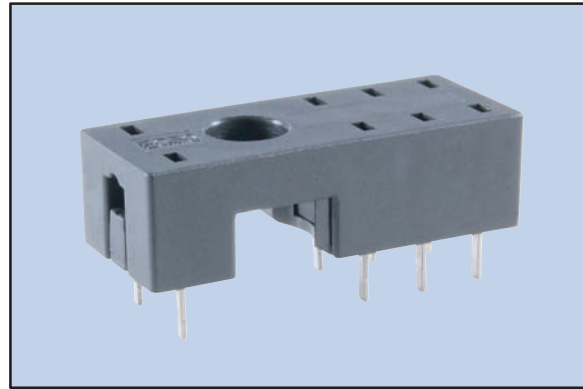
- PC Board Mount
- DPDT Applications

Electrical Rating:

300 Volts, 12 Amps



8-Pin Slim Line Socket



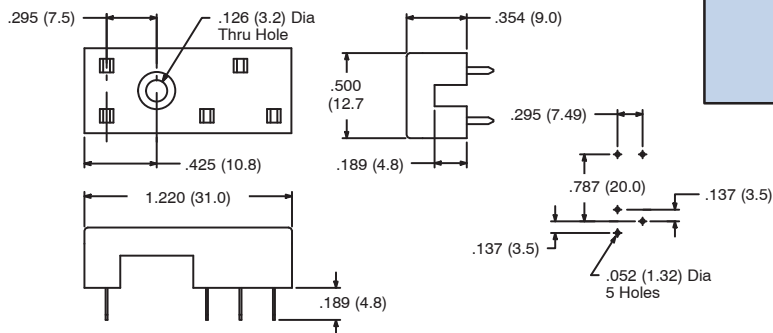
R95-133

Features

- PC Board Mount
- SPDT Applications

Electrical Rating:

300 Volts, 12 Amps



5-Pin Slim Line Socket

