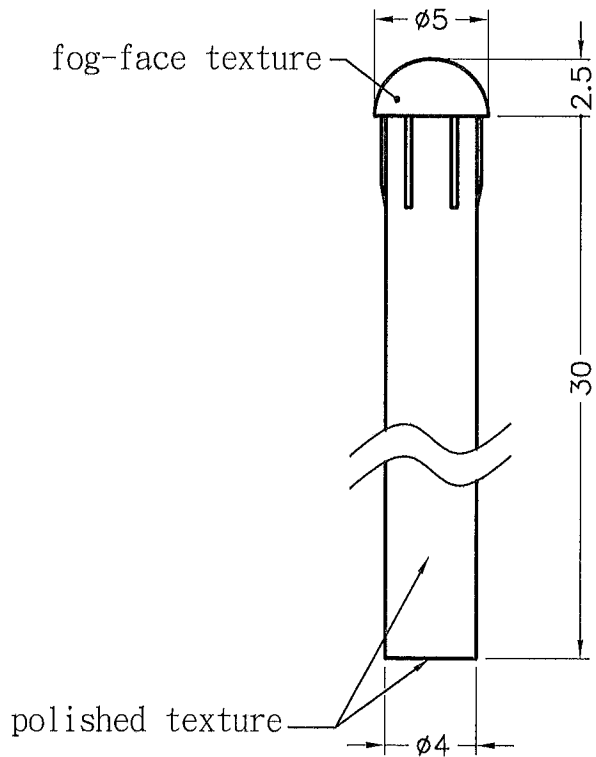
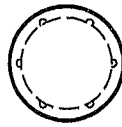


DIM.	TOL
L≤10	±0.2
10<L≤30	±0.3
30<L≤50	±0.5
50<L≤100	±0.7
100<L≤250	±1.2
ABOVE 250	±1.5


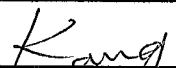
REVISIONS			
REV	DESCRIPTION	DATE	BY



MOUNTING HOLE $\phi 4.3$

NOTE:MADE OF EQUIVALENT MATERIAL.
使用同等材質


康揚企業股份有限公司
 KANG YANG HARDWARE ENTERPRISE CO., LTD.
康揚塑膠(東莞)有限公司
 KANG YANG PLASTIC(DONG GUAN) CO.,LTD.
ISO 9001 ISO 14001 QC 080000
康哲電腦配件(吳江)有限公司
 KANG CHE COMPUTER COMPONENTS(WUJIANG) CO.,LTD.

TITLE		LED LIGHT PIPE		SPEC. DWG.	
MATERIAL		PC UL94V-2		DATE	
				2015.03.11	
FINISH		CLEAR		DRAWN	
				LUKE	
COLOR		CLEAR		CHECK	
					
PART NUMBER		DRAWING NUMBER		APPROVED	
LEM-198		LEM-198			
SIZE	SCALE	UNIT	REV	UNLESS OTHERWISE SPECIFIED TOLERANCE	
A4	3:1	mm	A	SEE ABOVE	