



ANATECH ELECTRONICS INC
RF & Microwave Filters & Products

38.4 GHz Cavity Band Pass Filter

Part Number: AE38400B11275



Electrical Specifications

Center Frequency: 38400 MHz
3dB Bandwidth: 347 MHz
Pass Band: 38226.5-39174.5 MHz
Flatness ± 1.0 dB
Insertion Loss: 3.0 dB Max
VSWR: 2.0:1 Max
Rejection: >38 dB @ 37.9 GHz
>38 dB @ 38.9 GHz
Impedance: 50 Ω
Power Handling: 1 W

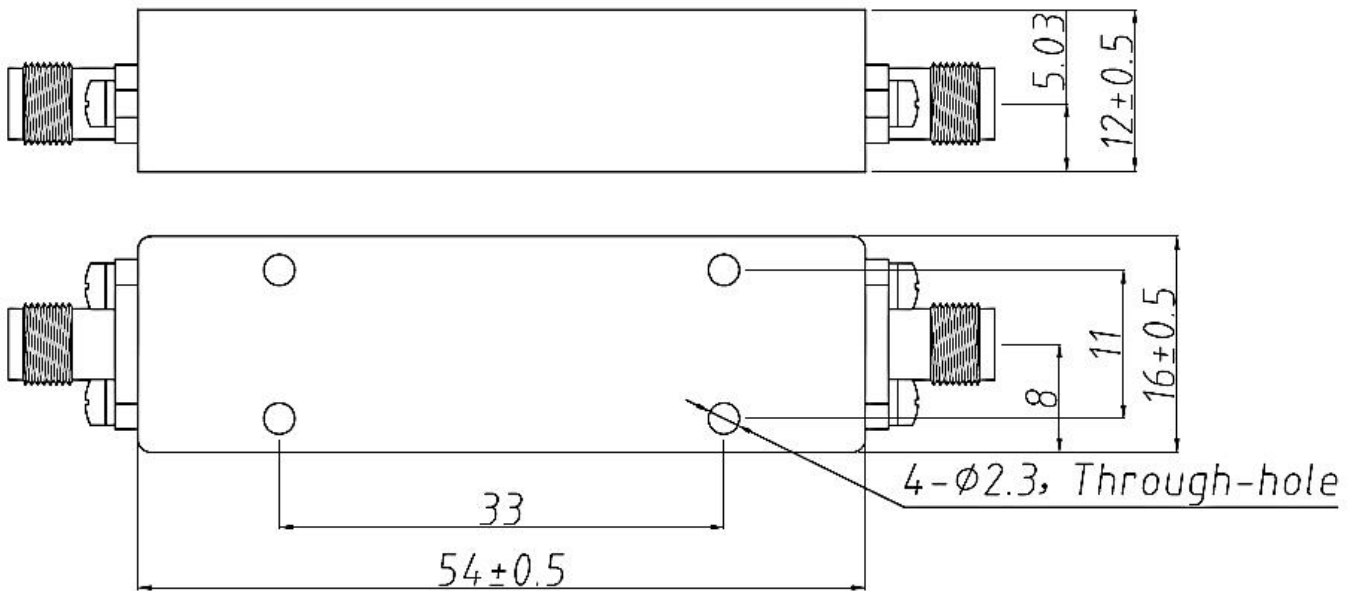
Mechanical

Connector Type: 2.92mm (F)
Dimensions: 54.0 x 16.0 x 12.0 mm

Environmental

Operating Temperature: -30 to +85° C
Storage Temperature: -40 to +95° C
Shock: 20 G. 11 ms
Vibration: 20 G. 5 to 200 MHz

Outline Drawing:



Tolerance: ± 0.5 mm



Response Plot:

