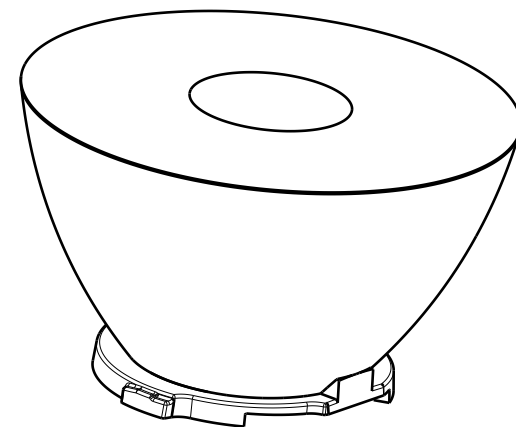
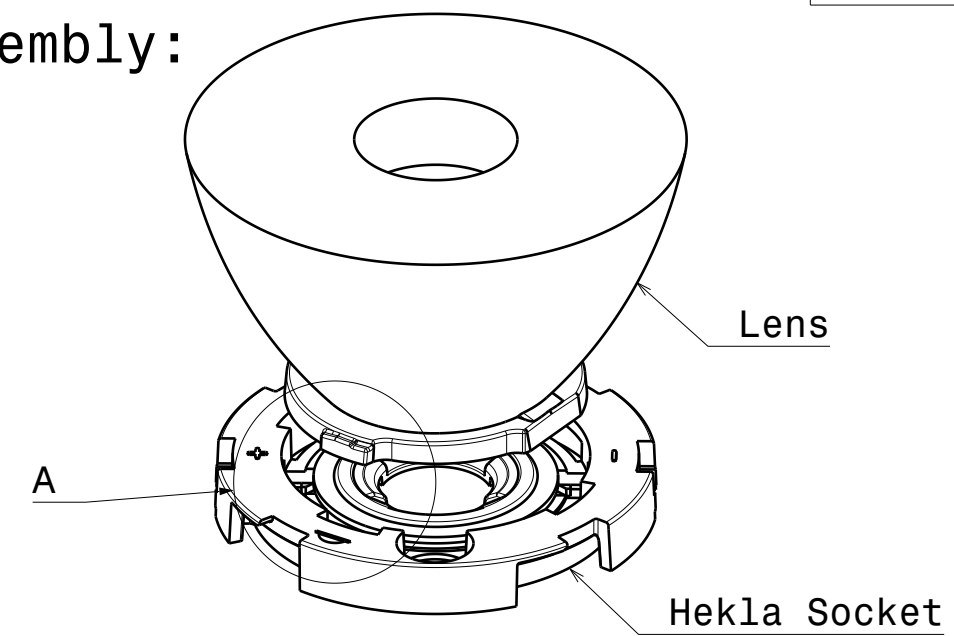


Example assembly:

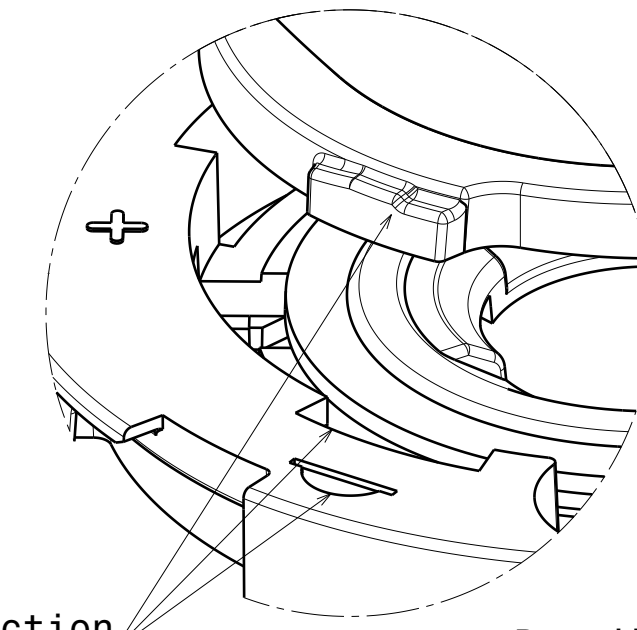


Isometric view  
Scale: 4:3



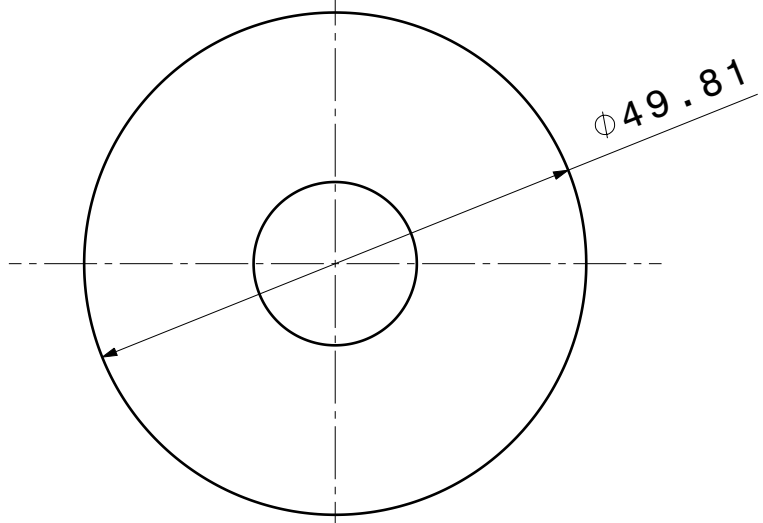
Lens

Hekla Socket

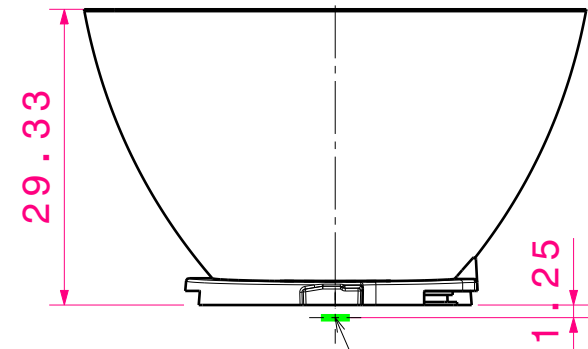


Detail A  
Scale: 4:1

Notice right  
assembly direction

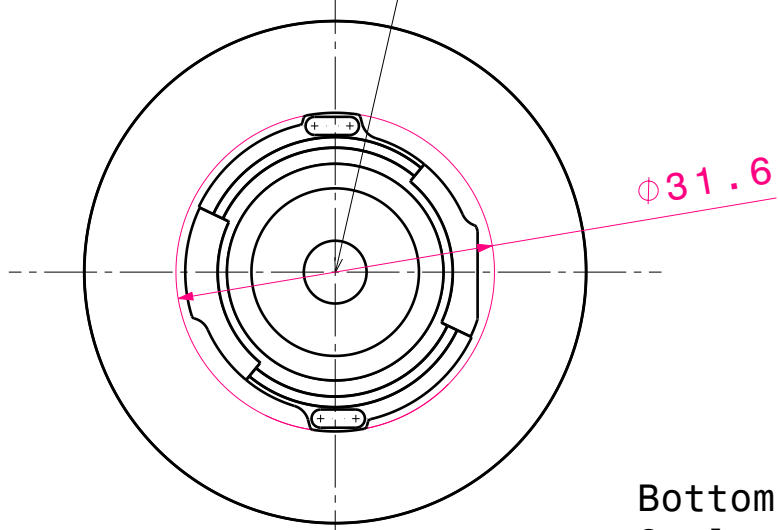


Top View  
Scale: 4:3



Front View  
Scale: 4:3

Optically optimal  
LES/LED chip location



Bottom View  
Scale: 4:3

Notes

Ensure LED fitting from a product specific 3D model available from [www.ledil.com](http://www.ledil.com)  
For more details about installation please see LEDiL Installation Guide on [www.ledil.com](http://www.ledil.com)

PART	TYPE	MATERIAL	COLOR / COATING
C16731_ILONA-SS	Lens	PMMA	Clear

<b>MECHANICAL DRAWING</b>		<b>LEDiL®</b>
PRODUCT <b>ILONA</b>		
Plastic moulding general tolerances according to DIN 16901-130 and applies if not otherwise shown in the drawing. Silicone moulding general tolerances according to ISO 3302-1 Class M3 and applies if not otherwise shown in the drawing.	FIRST ANGLE PROJECTION: 	This drawing is the property of LEDiL Oy. It may not be copied or otherwise distributed without prior written permission from LEDiL Oy.
SCALE 1:1	WEIGHT 3,1 g	A3 SHEET 1/1