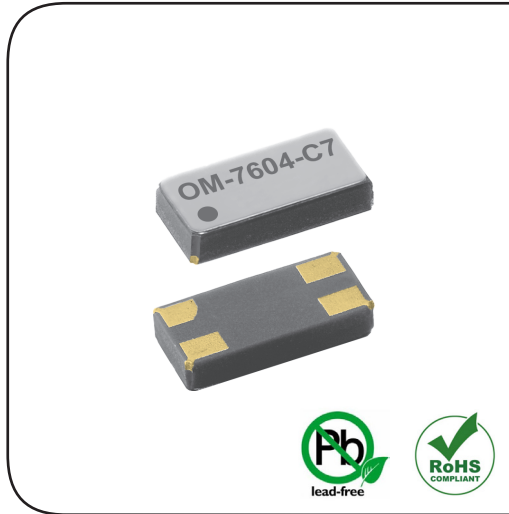
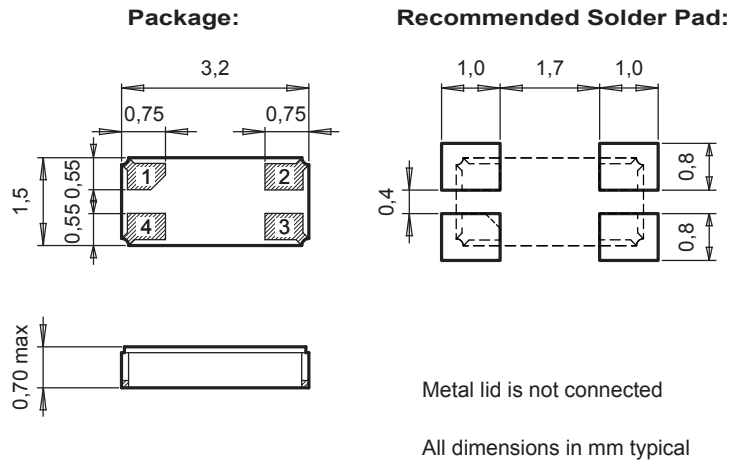


OM-7604-C7

Low Power Clock Oscillator 32.768 kHz



DIMENSIONS



APPLICATIONS

IoT
 Metering
 Industrial
 Automotive
 Health Care
 Wearables, Portables

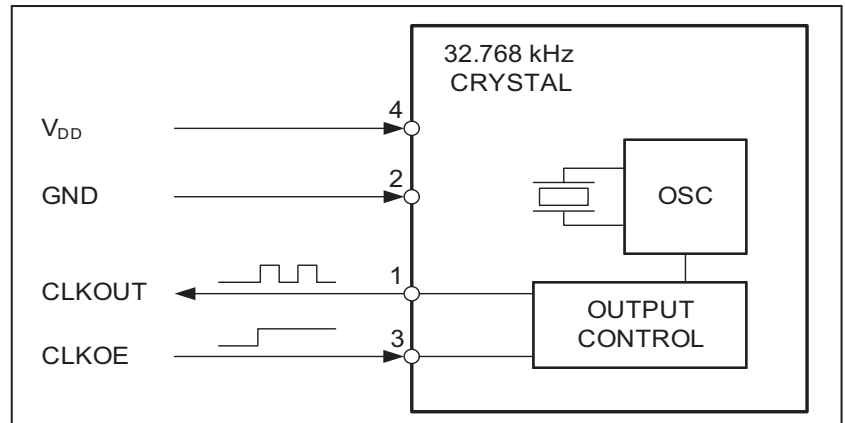
DESCRIPTION

The OM-7604-C7 is a Low Frequency SMT Oscillator that incorporates an integrated CMOS circuit together with an XTAL. It operates under vacuum in a hermetically sealed ceramic package with metal lid.

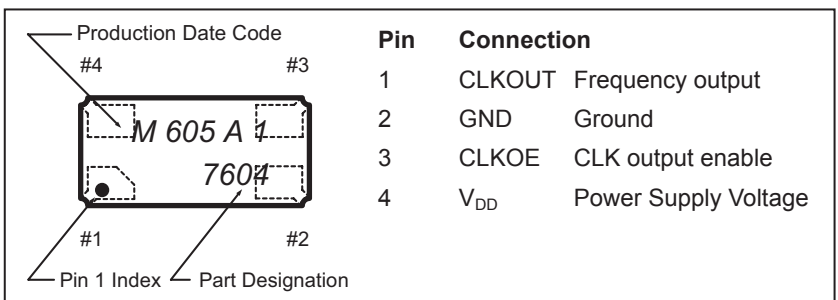
FEATURES

Wide supply voltage range.
 Very low power consumption.
 Synchronized CLKOUT enable/disable.
 Small size, low profile, lightweight (10.6 mg).
 High shock and vibration resistant.
 100% Pb-free, RoHS-compliant.
 Automotive qualification according to AEC-Q200 available.

BLOCK DIAGRAM



PIN CONNECTIONS TOP VIEW



ELECTRICAL CHARACTERISTICS AT 25°C

More detailed information can be found in the Application Manual.

Output Frequency	F	32.768	kHz
Frequency tolerance	¹⁾ $\Delta F/F$	± 20	ppm
Supply voltage	V_{DD}	1.2 – 5.5	V
Current consumption (typ./max.)	²⁾ I_{DD}	0.3 / 0.5	μA
Duty cycle (min./max.)		40 / 60	%
Start up time (max.)	t_{start}	0.5	s
Voltage coefficient (max.)		± 1.5	ppm/V
Aging first year max. @ 25°C	$\Delta F/F$	± 3	ppm
Turnover temperature (typ.)	T_0	25 \pm 5	°C
Frequency vs. temperature	$\Delta F/F_0$	$-0.035 \text{ ppm}/^{\circ}\text{C}^2 (T - T_0)^2 \pm 10\%$	ppm

1) Tighter tolerances on request.

2) $V_{DD} = 3.0 \text{ V}$, CLKOE = LOW.

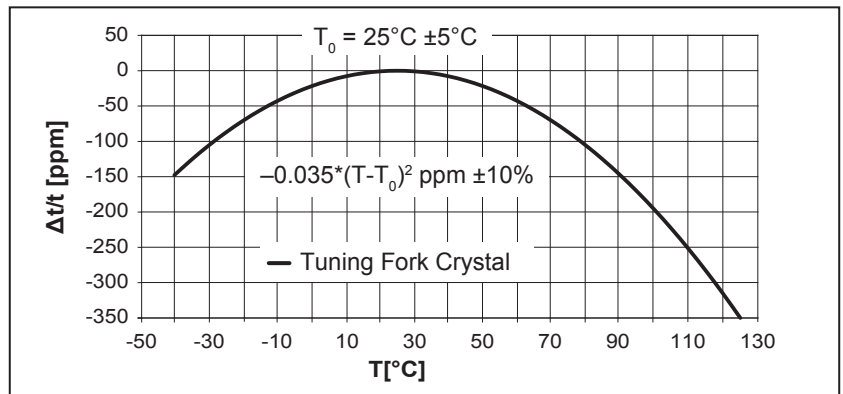
ENVIRONMENTAL CHARACTERISTICS

		Conditions	Max. Dev.
Storage temp. range		-55 to +125°C	
TA Operating temperature range		-40 to +85°C	
TB Extended oper. temp. range		-40 to +125°C	
Shock resistance	$\Delta F/F$	5000 g, 0.3 ms, 1/2 sine	± 5 ppm
Vibration resistance	$\Delta F/F$	20 g / 10–2000 Hz	± 5 ppm

TERMINATIONS AND PROCESSING

Type	Termination	Processing
OM-7604-C7	Au flashed pads	IPC/JEDEC J-STD-020C 260°C / 20 - 40 s

FREQUENCY TEMPERATURE CHARACTERISTICS



ORDERING INFORMATION

OM - 7604 - C7 ±20 ppm TA QC	
Oscillator	Qualification
Metal lid	QC = Commercial Grade (Standard) QA = Automotive Grade AEC-Q200
Frequency	Temperature range
7604 = 32.768 kHz	TA = -40 to +85°C (Standard) TB = -40 to +125°C
Package size	Frequency tolerance
C7 = 3.2 x 1.5 x 0.70 mm	
A unique part number will be generated for each product specification, i.e:	
20xxxx-MG01	1'000 pcs (in 12 mm tape on 7" reel)
20xxxx-MG03	3'000 pcs (in 12 mm tape on 7" reel)

All specifications subject to change without notice.



A COMPANY OF THE SWATCH GROUP

Micro Crystal AG
Muehlestrasse 14
CH-2540 Grenchen
Switzerland

Phone +41 32 655 82 82
Fax +41 32 655 82 83
sales@microcrystal.com
www.microcrystal.com