

LIGHTOWL® PASSIVE INFRARED SENSOR

CEILING AND WALL MOUNT OCCUPANCY SENSORS

LIGHTOWL

FEATURES

- IntelliDAPT™ self-adaptive technology-no manual adjustment required
- All-digital passive infrared (PIR) sensor
- Non-volatile memory for sensor settings
- Optional relay and photocell control
- Low voltage device: 24VDC
- 5 year limited warranty



RELATED PRODUCTS

- Ø [Occupancy Sensor Accessories](#)
- Ø [MP347A PowerPack](#)
- Ø [Universal Voltage Power Packs](#)
- Ø [Line Voltage Auxiliary Relays](#)

SPECIFICATIONS

CONSTRUCTION

- Casing - Rugged, high-impact, injection-molded plastic KJB ABS Cyclocac (UL-945VA)
- Color-coded leads are 6" long (154.4mm)
- 5.0 oz (142g)
- Off-white
- Red - infrared motion

INSTALLATION - MOUNTING

- LOIRWV - Max mounting height: 12ft
- LOIRHB - Max mounting height: 30ft

ELECTRICAL

- 24VDC, 33 mA (uses UVPP and MP-Series power pack-not included)
- 24VDC active high-logic control signal with short circuit protection and optional dry contact (See: RP Option)

OPERATION

- Auto reset from test setting
- Self-adjusting timer

OPERATION CONTINUED

- Self-adjusting passive infrared and acoustic thresholds
- Automatic false-on/false-off corrections
- Dual-element pyrometer and 12-element cylindrical rugged lens

OPERATION CONTINUED

- Automatic mode: 8–30 minutes (self-adjusts based on occupancy)
- Test mode: 8 seconds (for an easy check at installation)

OPERATING ENVIRONMENT

- Indoor use only
- Operating temperature: 32°F to 104°F (0°C to 40°C)
- Relative humidity (non-condensing): 0% to 95%

COVERAGE

- LOIRWV (Wide View): 1,600 square feet (487.68 square meters)

COVERAGE CONTINUED

- LOIRHB (High Bay): 120 linear feet

RP OPTION

- Relay and photocell included
- Relay: N/O + N/C contacts; SPDT; 500 mA rated @ 24 VDC; three-wire isolated relay
- Photocell: adjustable natural-light override ranges from 0 to 100 foot-candles (0–1,000 lux)
- Factory set at 3,000 lux (disable photocell)

CERTIFICATIONS

- UL and cUL listed

WARRANTY

- 5 year warranty
- See [HLI Standard Warranty](#) for additional information

ORDERING GUIDE

Example: LOIRWV

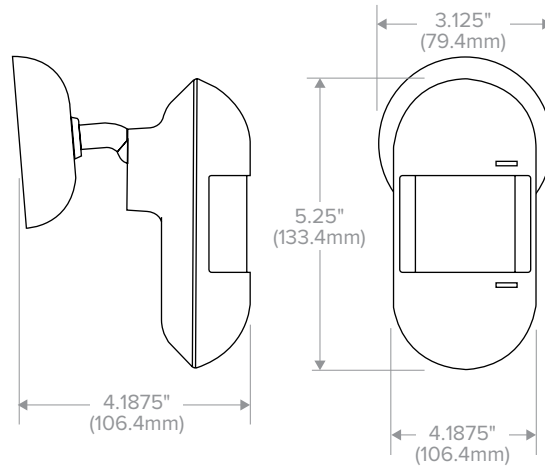
CATALOG #

Model	Technology	Relay/Photocell Option
LO LightOWL Sensor	IRWV Passive Infrared Wide View	RP Relay Photocell
	IRHB Passive Infrared High Bay	Blank No Relay Photocell

LIGHTOWL PASSIVE INFRARED SENSOR

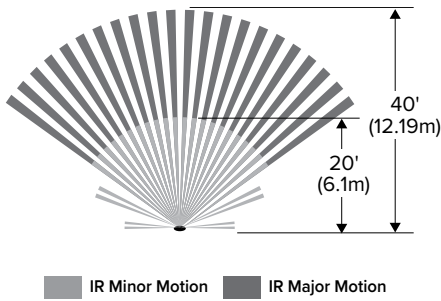
CEILING AND WALL MOUNT OCCUPANCY SENSORS

DIMENSIONS

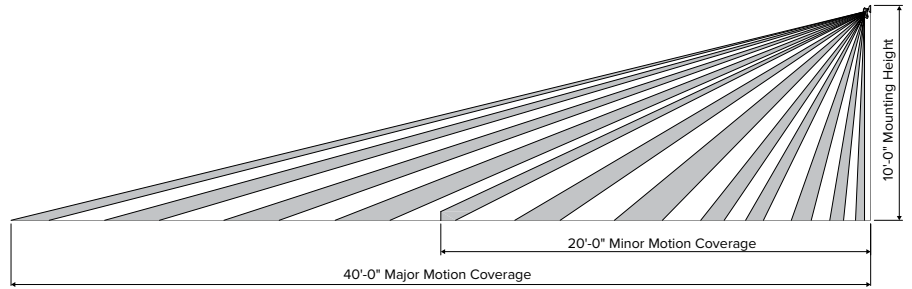


ADDITIONAL INFORMATION

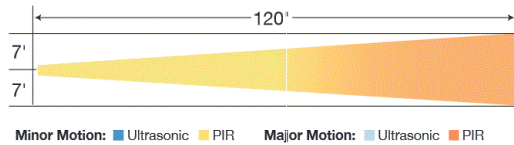
Coverage Patterns



LOIRWV - Coverage Range (Top View)



LOIRWV - Coverage Range (Side View)



LOIRHB - Coverage Range (Top View)