



PRODUCT DATASHEET

Lena series

last update 13/11/2014

DETAILS

Product Number	CN13338_LENA-M-DL
Family	Lena
Type	RefPack
Color	metal
Diameter	111 mm
Height	88,9 mm
Style	round
Optic Material	PC
Holder Material	
Fastening	
Status	production ready
ROHS Comliant	Yes
Date Updated	13/11/2014

OPTICAL PROPERTIES

LED	Viewing Angle	Light Beam	Efficiency	cd/lm	Connector
CXA/B 25xx	21 deg	Medium	77 %	3.400	-



D

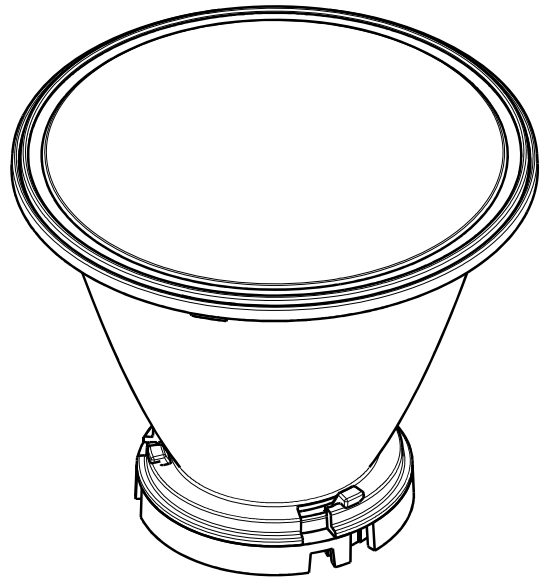
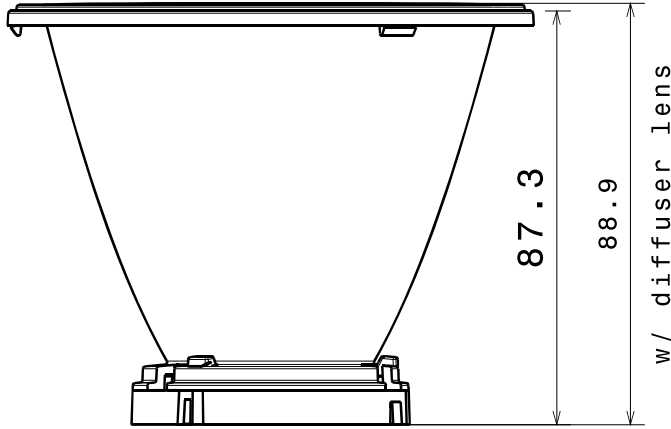
C

B

A

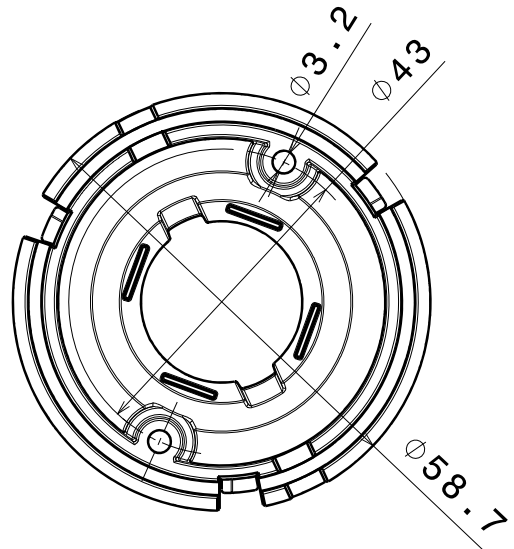
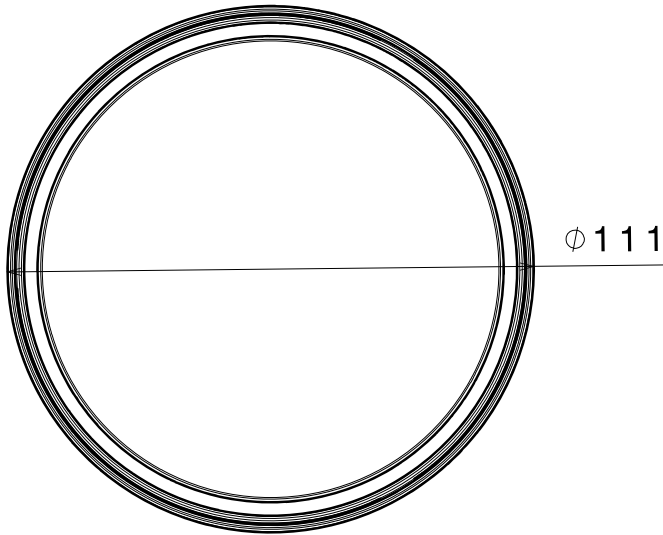
4

4



3

3



2

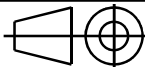
2

Tolerances if not otherwise shown
According to DIN ISO 2768-1
Linear measures:
Up to 30mm class M, otherwise class C.
According to DIN ISO 2768-2
Form and position: class L



Ledil Oy
Salorankatu 10
FIN 24240 SALO
Finland

THIRD ANGLE PROJECTION:



DRAWING TITLE

LENA-CXA25

This drawing is the property of LEDiL Oy. It may not be reproduced, copied or communicated without a written agreement with LEDiL Oy.

SIZE	PART NUMBER
A4	

SCALE	2:3	WEIGHT	- g	SHEET	1/1
-------	-----	--------	-----	-------	-----

1

1

D

A

NOTE: The typical divergence will be changed by different color, chip size and chip position tolerance. The typical total divergence is the full angle measured where the luminous intensity is half of the peak value.