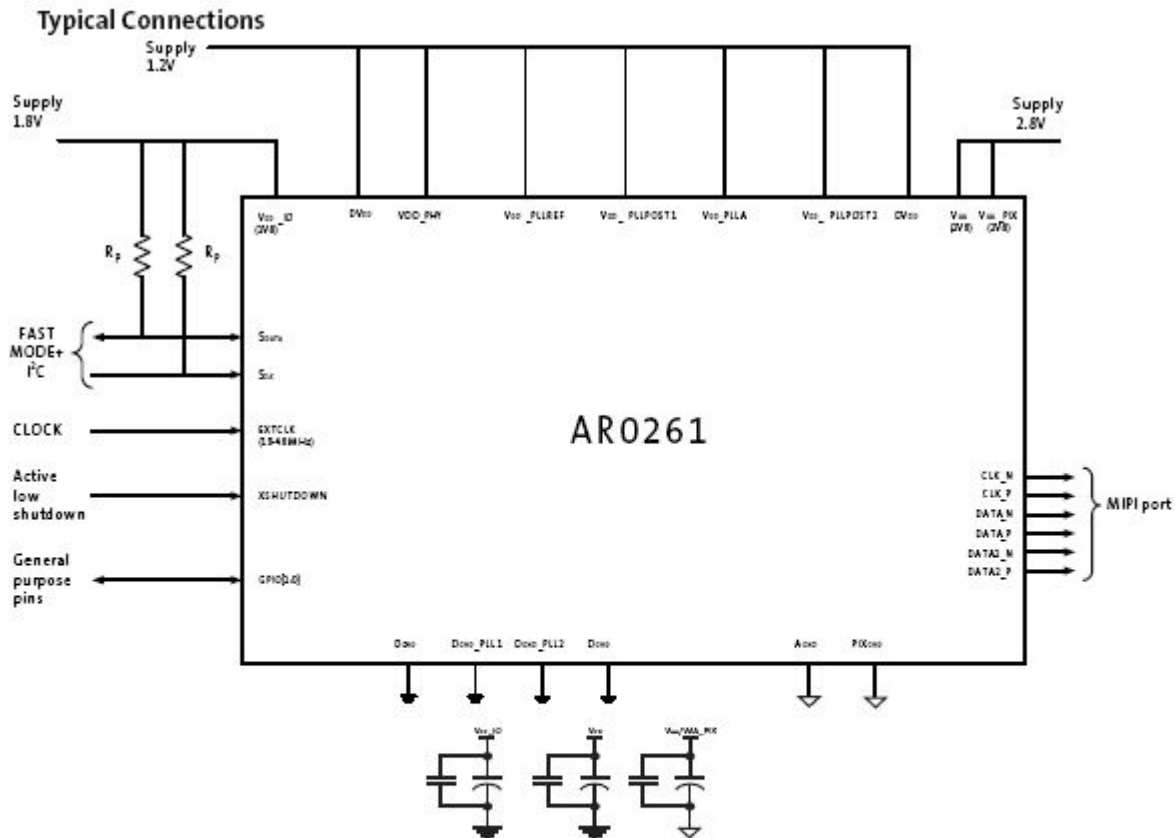


Application Diagram



- Notes:
1. All power supplies must be adequately decoupled. The order of preference is as follows: 2.8V supply - 1.0 μ F and 0.1 μ F; 1.2V supply - 1.0 μ F and 0.1 μ F; 1.8V supply - 0.1 μ F. The minimum recommended decoupling configuration is 0.1 μ F per power supply.
 2. Aptina recommends a 1.5k Ω resistor value for the two-wire serial interface R_{PULL-UP}; however, other values may be used. refer to section 7.1 pull-up resistor sizing section of the UM10204 I²C specification in http://www.nxp.com/documents/user_manual/UM10204.pdf
 3. All inputs must be configured with VDD_{IO}.
 4. Mechanical pads are not shown in this figure.
 5. V_{AA} and V_{AA_PIX} may be tied together.

For more information please contact your local sales support at www.onsemi.com.

Created on: 5/10/2021