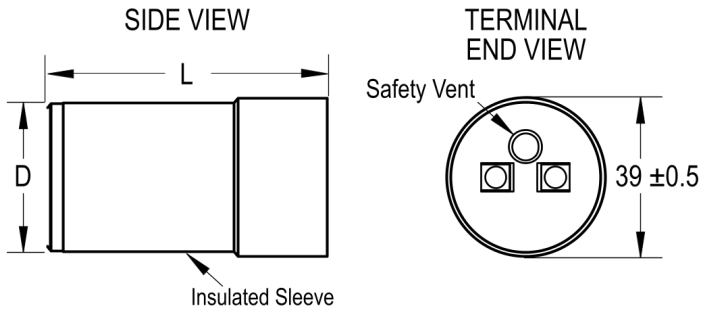


240MD12AAMK1STD

Aliases (A901GF240K120A)

MD/A901, Aluminum Electrolytic, 240 uF, 10%, 120 VAC, -20/+70°C



Click [here](#) for the 3D model.

Dimensions

| | |
|---|---------------|
| D | 38mm +/-0.5mm |
| L | 75mm MAX |

Packaging Specifications

| | |
|-----------|-----------|
| Packaging | Bulk, Bag |
|-----------|-----------|

General Information

| | |
|--------------|-----------------------------------|
| Series | MD/A901 |
| Dielectric | Aluminum Electrolytic |
| Description | Motor Start Aluminum Electrolytic |
| RoHS | Yes |
| Lead | Quick Connect |
| AEC-Q200 | No |
| Halogen Free | Yes |
| Shelf Life | 156 Weeks |

Specifications

| | |
|-----------------------|-----------|
| Capacitance | 240 uF |
| Capacitance Tolerance | 10% |
| Voltage AC | 120 VAC |
| Temperature Range | -20/+70°C |
| Rated Temperature | 70°C |
| Life | 500 Hrs |

Statements of suitability for certain applications are based on our knowledge of typical operating conditions for such applications, but are not intended to constitute - and we specifically disclaim - any warranty concerning suitability for a specific customer application or use. This Information is intended for use only by customers who have the requisite experience and capability to determine the correct products for their application. Any technical advice inferred from this Information or otherwise provided by us with reference to the use of our products is given gratis, and we assume no obligation or liability for the advice given or results obtained.