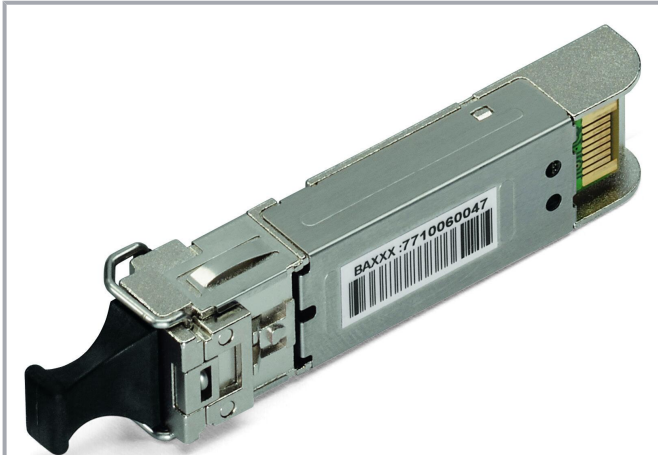


## Data sheet | Item number: 852-1210

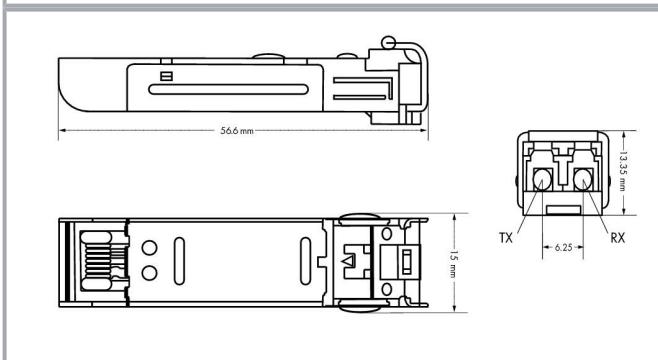
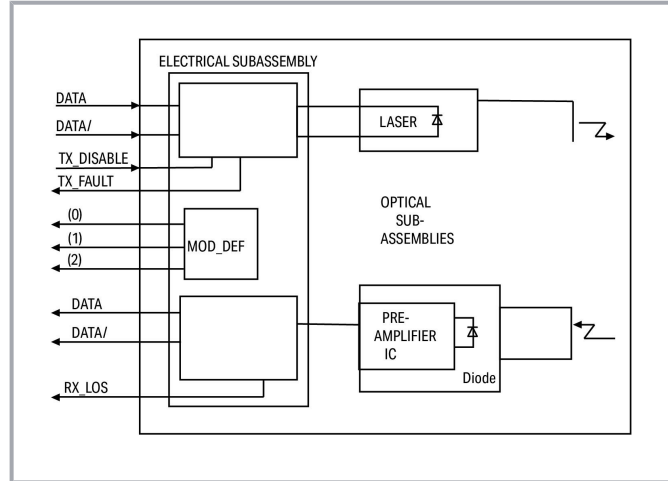
SFP Module 1000BASE; LX Single-Mode 1310 nm LC; 10 km; Extended temperature range; Digital Diagnostics Monitoring; silver-colored

[www.wago.com/852-1210](http://www.wago.com/852-1210)



 Picture differs from the item.

Color: 



## Item description

### Features:

- Duplex LC optical connector
- Small Form-Factor Pluggable (SFP) industry-standard design
- Compliant with IEEE802.3z Gigabit ETHERNET Standard
- Differential LVPECL inputs and outputs

Subject to changes. Please also observe the further product documentation!

WAGO GmbH & Co. KG  
Hansastr. 27  
32423 Minden  
Phone: +49571 887-0 | Fax: +49571 887-169  
Email: [info.de@wago.com](mailto:info.de@wago.com) | Web: [www.wago.com](http://www.wago.com)

Do you have any questions about our products?  
We are always happy to take your call at +49 (571) 887-44222.



- Power supply: 3.3 V
- TTL signal detect indicator
- Hot-pluggable capability

**Data****Technical data**

Optical fiber type	Single-mode
--------------------	-------------

**Connection data**

Connection technology: communication/fieldbus	1 x SFP; LC fiber-optic connector
Connection requirement (permissible cable length)	10,000 m
Connection requirement (permissible cable type)	Single-mode fiber 9/125 µm; Wavelength: 1310 nm

**Physical data**

Width	13.4 mm / 0.528 inches
Height	13.3 mm / 0.524 inches
Depth	56.6 mm / 2.228 inches

**Mechanical Data**

Weight	17 g
Color	silver-colored

**Environmental requirements**

Ambient temperature (operation)	-40 ... +85 °C
Ambient temperature (storage)	-40 ... +85 °C

**Commercial data**

eCl@ss 10.0	19-17-01-30
eCl@ss 9.0	19-17-01-06
ETIM 8.0	EC000309
ETIM 7.0	EC000309
PU (SPU)	1 pcs
Packaging type	box
Country of origin	TW
GTIN	4055143394185
Customs tariff number	85176200000

Subject to changes. Please also observe the further product documentation!



## Environmental Product Compliance

RoHS Compliance Status


Compliant, No Exemption

## Approvals / Certificates

### General approvals

Logo	Approval	Additional Approval Text	Certificate name
	EAC Brjansker Zertifizierungsstelle	TP TC 020/2011	EAC RU C-DE.AM02.B.00087/19
	KC National Radio Research Agency	Article 58-2, Clause 3	MSIP-REM-W43-SFP852

### Declarations of conformity and manufacturer's declarations

Logo	Approval	Additional Approval Text	Certificate name
	EU-Declaration of Conformity WAGO GmbH & Co. KG	-	-

## Downloads

### Documentation

#### Bid Text

852-1210 X81 - Datei	2019 Feb 19	xml 4.0 kB	Download
852-1210 doc - Datei	2017 Oct 9	doc 27.1 kB	Download
ausschreiben.de 852-1210		URL	Download

#### Additional Information

Disposal and Recycling Electrical and electronic equipment, Batteries, Packaging	V 1.1.0 2022 Aug 18	pdf 2.2 MB	Download
---	------------------------	---------------	----------

Subject to changes. Please also observe the further product documentation!



## CAD/CAE-Data

### CAE data

WSCAD Universe 852-1210	<a href="#">URL</a>	<a href="#">Download</a>
EPLAN Data Portal 852-1210	<a href="#">URL</a>	<a href="#">Download</a>

## Environmental Product Compliance

### Compliance Search

Environmental Product Compliance 852-1210	<a href="#">URL</a>	<a href="#">Download</a>
SFP Module 1000BASE; LX Single-Mode 1310 nm LC; 10 km; Extended temperature range; Digital Diagnostics Monitoring; silver-colored		

## Installation Notes

Subject to changes. Please also observe the further product documentation!