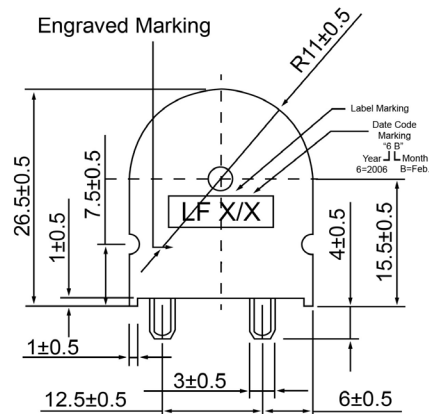
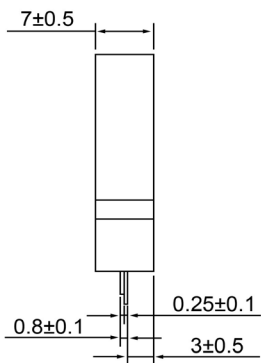


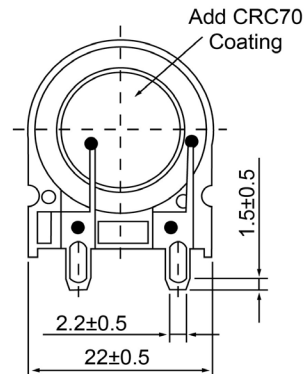
**TOP VIEW**



**SIDE VIEW**




**BOTTOM VIEW**



| Specifications        |           |       |
|-----------------------|-----------|-------|
| Description           | Value     | Unit  |
| Technology            | Piezo     |       |
| Resonant Frequency    | 2,000     | (Hz)  |
| Rated Voltage         | 9         | (V)   |
| SPL @ 10cm            | 85        | (dBA) |
| Capacitance           | 20,000    | (pF)  |
| Mount Type            | Thru-hole |       |
| Voltage Range         | 1 ~ 30    | (V)   |
| Max Rated Current     | 3         | (mA)  |
| Housing Material      | PBT       |       |
| Operating Temperature | -20 ~ +80 | °C    |
| Storage Temperature   | -30 ~ +80 | °C    |
| Weight                | 3         | (g)   |

**Notes**

1) All dimensions are in mm unless otherwise noted  
 2) All parts meet RoHS



**DB UNLIMITED**

**Piezo Transducer**

| Revision History |                           |            |            |             |            |
|------------------|---------------------------|------------|------------|-------------|------------|
| Version          | Description               | Date       | Approved   |             |            |
| 1                | Released from Engineering | 10/21/2013 | J.S        |             |            |
|                  |                           |            |            |             |            |
|                  |                           |            |            |             |            |
|                  |                           |            |            |             |            |
|                  |                           |            |            |             |            |
|                  |                           |            |            |             |            |
|                  |                           |            |            |             |            |
| Drawn by         | Date                      | Checked by | Date       | Approved by | Date       |
| A.B.             | 10/21/2013                | C.E.       | 10/21/2013 | J.S         | 10/21/2013 |

TP222009-1