

PRODUCT CHANGE INFORMATION

Date : 03/03/2014

Reference Product : HS1101/ HS1101 LF

Subject : MEAS marking change on cover and glue removal

Dear Customer,

Since 2004, when Humirel became MEAS, we have never changed the logo on the cover of the HS1101 and HS1101LF

As we are moving to a new mold, we will take the opportunity to be in accordance with our company name, and we are updating the marking on the cover of the HS1101 (grey cover) and HS1101LF (black cover).

The Humirel logo becomes MEAS logo (see pictures here below)

Humirel Logo (Old)



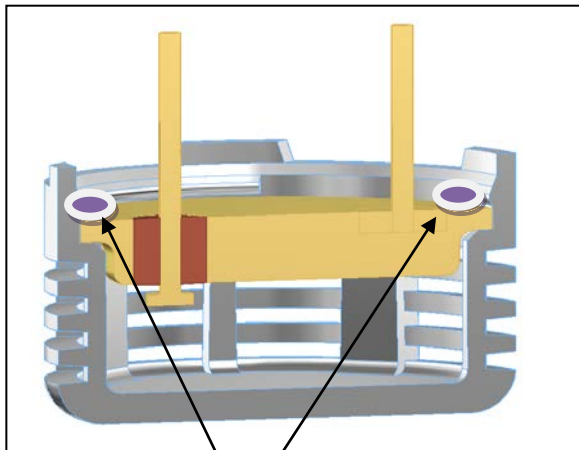
MEAS Logo (new)



Furthermore, due to tightening marginality in tolerance between the cover on the base plate (loose cover from the base plate) we had implemented a gluing process to maintain the cover on its original position.

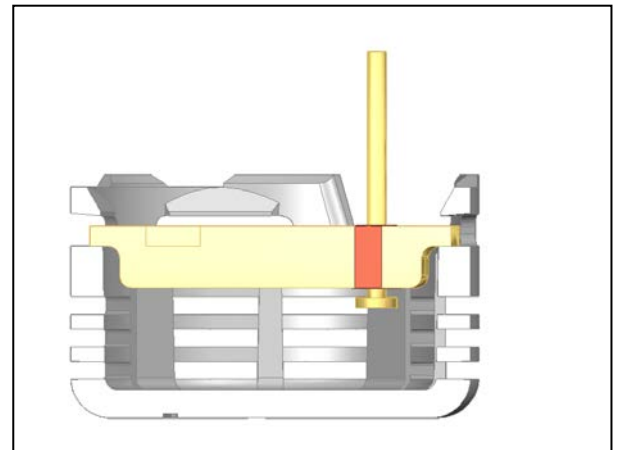
To secure cover tightening on header with this new design and remove the additional gluing process step, we have modified the cover interface with header design as follow:

Current design



Additional glue dots (gluing process)

New design



- Clearance : to remove constraints when mounted
- Clip sharper : to ensure no disassembly

Validations:

Pull test have been performed to validate this new cover design: please find the results here below:

Pull test on current covers (with glue)

#	1	2	3	4	5	6	7	8	9	10
F (N)	16,1	11,9	9,1	9,8	9,4	14,8	10,3	10,1	11,0	10,7

Average : 11,32 N

Pull test on new cover

#	1	2	3	4	5	6	7	8	9	10
F (N)	23,4	22,3	22,9	30,2	22,4	33,8	23,2	29,7	31,6	29,2

Average : 26,87 N

The new design improves significantly the tightening of the cover on the base plate

According to this design improvement, silicon dot used to assure the maintain of the cover on the base plate is removed.

This modification do not generate any change of the specification:

- No electrical change
- No mechanical change (outer shape is the same)
- No material change

This change do not affect the performances of the HS1101 and HS1101LF, the products are fully compatible with the current data sheet

First delivery of the both humidity sensors HS1101 and HS1101LF are planned for CW20/2014

For further questions or additional information, feel free to contact me

Marc Lamandin

TLSE Site Quality Manager

Measurement Specialties, Inc.

Impasse Jeanne Benozzi CS 83163

F-31027 Toulouse Cedex 3

Office (+33) 582 082 241

Handy (+33) 6 99 72 19 56

marc.lamandin@meas-spec.com

www.meas-spec.com

