

NHD-12864WG-BTGH-T#N

Graphic Liquid Crystal Display Module

NHD-	Newhaven Display
12864-	128 x 64 Pixels
WG-	Display Type: Graphic
B-	Model
T-	White LED Backlight
G-	STN Positive, Gray
H-	Transflective, Wide Temperature, 6:00 Optimal View
T#N-	Built-in Temperature Compensation Circuit
	RoHS Compliant

Newhaven Display International, Inc.

2661 Galvin Ct.

Elgin IL, 60124

Ph: 847-844-8795

Fax: 847-844-8796

www.newhavendisplay.com

nhtech@newhavendisplay.com

nhsales@newhavendisplay.com

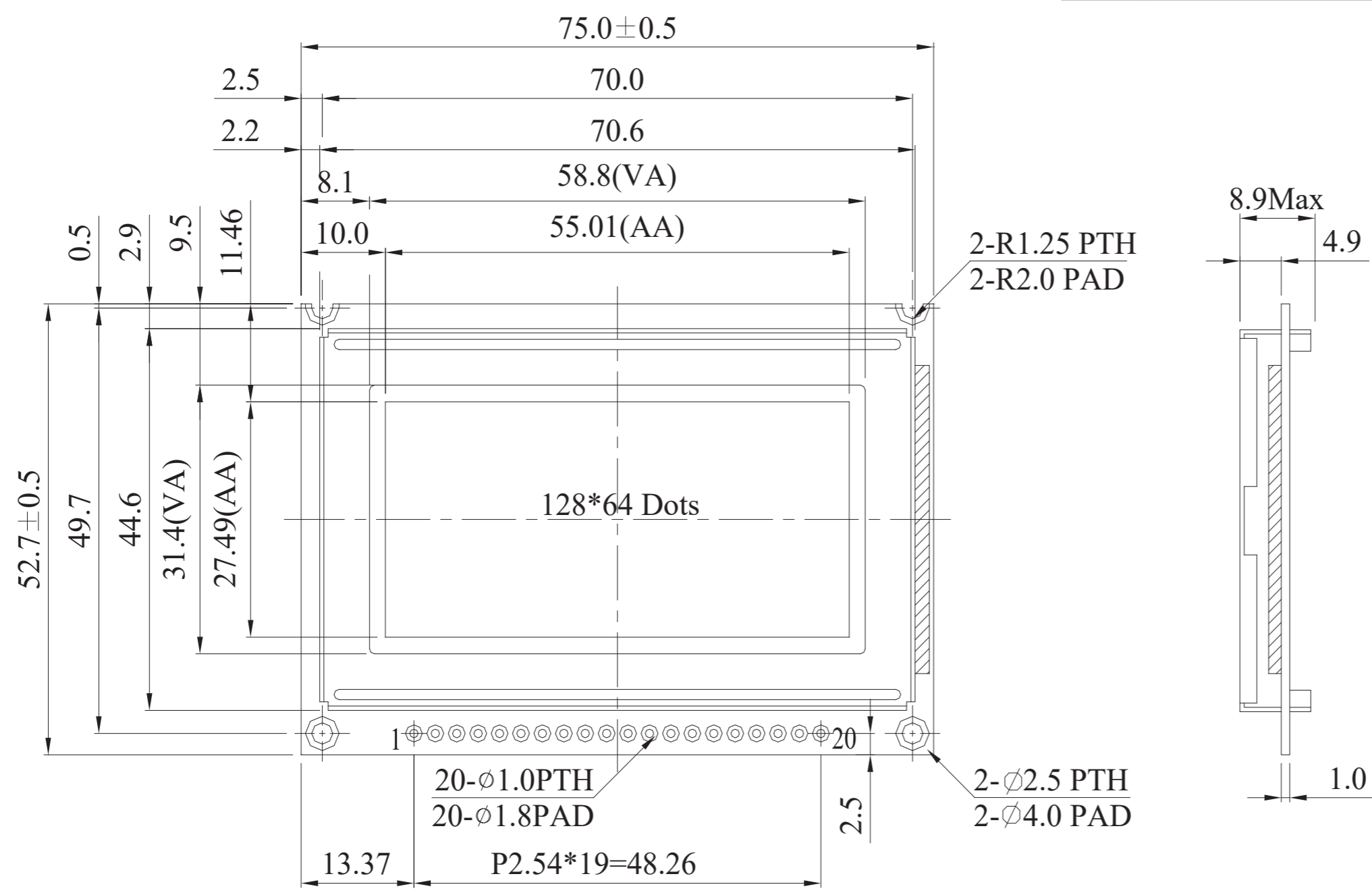
Document Revision History

Revision	Date	Description	Changed by
0	2/28/2008	Initial Release	-
1	3/22/2009	User guide reformat	BE
2	4/14/2010	Block diagram/Initialization updated	BE
3	2/16/2011	Mechanical drawing updated	AK
4	12/19/2012	Controller information updated	AK
5	5/3/16	Mechanical Drawing, Electrical & Mechanical Char. Updated	SB
6	12/8/16	Supply Current Updated	SB
7	4/8/19	Quality, Backlight & Wiring Diagram updated	AS

Functions and Features

- 128 x 64 pixels
- Built-in NT7108C controller
- +5.0V power supply
- 1/64 duty cycle
- RoHS Compliant

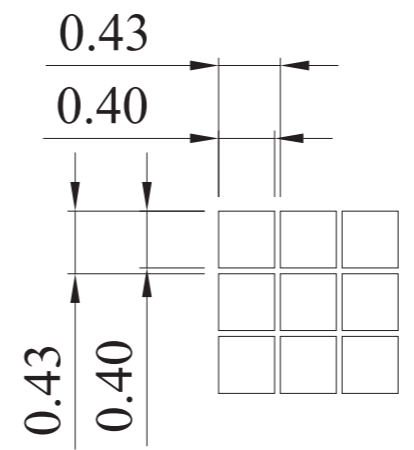
SYMBOL	REVISION	DATE



Pin Assignment

PIN NO.	SYMBOL
1	Vdd
2	Vss
3	Vo
4	DB0
5	DB1
6	DB2
7	DB3
8	DB4
9	DB5
10	DB6
11	DB7
12	CS1
13	CS2
14	RST
15	R/W
16	D/I
17	E
18	Vee
19	A
20	K

- Notes:**
- 1. Driver: 1/64 Duty
 - 2. Voltage: 5.0V V_{DD}, 8.0V V_{LCD}
 - 3. Display Mode: STN Positive / Gray / Transflective
 - 4. Optimal View: 6:00
 - 5. Backlight: White LED
 - 6. Driver IC: NT7108



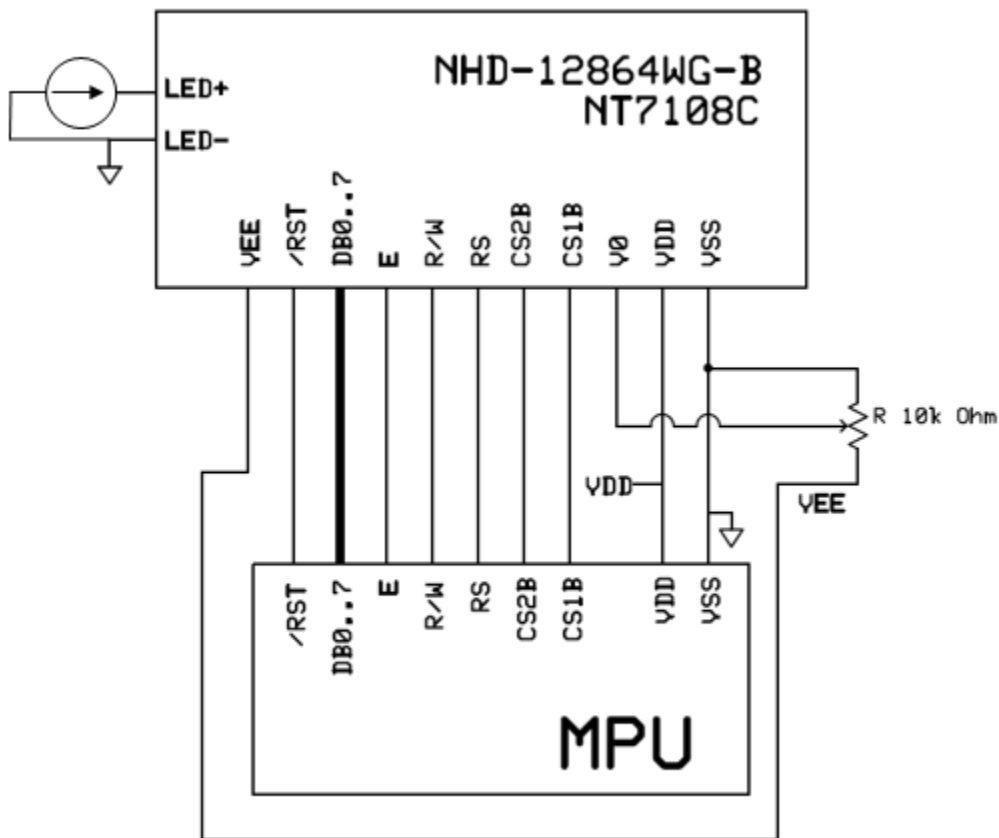
STANDARD TOLERANCE: (UNLESS OTHERWISE SPECIFIED)			
LINEAR: ±0.3mm			
UNLESS OTHERWISE SPECIFIED: - DIMENSIONS ARE IN MILLIMETERS - THIRD ANGLE PROJECTION		DRAWING/PART NUMBER: NHD-12864WG-BTGH-T#N	REVISION: 1.0 SIZE: A3 SCALE: NS
DO NOT SCALE DRAWING		DRAWN BY: A. Shah APPROVED DATE: 04/08/19	APPROVED BY: A. Khan APPROVED DATE: 04/11/19
SHEET 1 OF 1			
THIS DRAWING IS SOLELY THE PROPERTY OF NEWHAVEN DISPLAY INTERNATIONAL, INC. THE INFORMATION IT CONTAINS IS NOT TO BE DISCLOSED, REPRODUCED OR COPIED IN WHOLE OR PART WITHOUT WRITTEN APPROVAL FROM NEWHAVEN DISPLAY.			

Pin Description and Wiring Diagram

Pin No.	Symbol	External Connection	Function Description
1	V _{DD}	Power Supply	Supply Voltage for Logic (+5.0V)
2	V _{SS}	Power Supply	Ground
3	V ₀	Adj. Power Supply	Supply Voltage for contrast (approx. -3.0V)
4-11	DB0-DB7	MPU	Bi-directional 8-bit data bus
12	CS1B	MPU	Chip Selection: CS1=H, CS2=L : select IC1 (left side) CS1=L, CS2=H : select IC2 (right side)
13	CS2B	MPU	
14	/RST	MPU	Active LOW Reset Signal
15	R/W	MPU	Read/Write select signal. R/W=1: Read R/W=0: Write
16	RS	MPU	Register Select: 1=Data, 0= Instruction
17	E	MPU	Operation Enable signal. Falling edge triggered.
18	V _{EE}	Power Supply	Negative voltage output (-3.5±0.5 V)
19	LED+	Power Supply	Backlight Anode (+3.5V)
20	LED-	Power Supply	Backlight Cathode (Ground)

Recommended LCD connector: 2.54mm pitch pins

Backlight connector: - Mates with: -



Electrical Characteristics

Item	Symbol	Condition	Min.	Typ.	Max.	Unit
Operating Temperature Range	T _{OP}	Absolute Max	-20	-	+70	°C
Storage Temperature Range	T _{ST}	Absolute Max	-30	-	+80	°C
Supply Voltage	V _{DD}	-	4.5	5.0	5.5	V
Supply Current	I _{DD}	V _{DD} = 5.0V	2	3	6.6	mA
Supply for LCD (contrast)	V _{LCD}	T _{OP} = 25°C	7.8	8.0	8.2	V
"H" Level input	V _{IH}	-	0.7 * V _{DD}	-	V _{DD}	V
"L" Level input	V _{IL}	-	V _{SS}	-	0.3*V _{DD}	V
"H" Level output	V _{OH}	-	2.4	-	V _{DD}	V
"L" Level output	V _{OL}	-	V _{SS}	-	0.4	V
Backlight Supply Voltage	V _{LED}	-	3.3	3.5	3.7	V
Backlight Supply Current	I _{LED}	V _{LED} = 3.5V	15	45	60	mA

Optical Characteristics

Item	Symbol	Condition	Min.	Typ.	Max.	Unit
Optimal Viewing Angles	Top	CR ≥ 2	-	20	-	°
	Bottom		-	40	-	°
	Left		-	30	-	°
	Right		-	30	-	°
Contrast Ratio	CR	-	-	3	-	-
Response Time	Rise	T _{OP} = 25°C	-	150	200	ms
	Fall		-	150	200	ms

Controller Information

Built-in NT7108C controller.

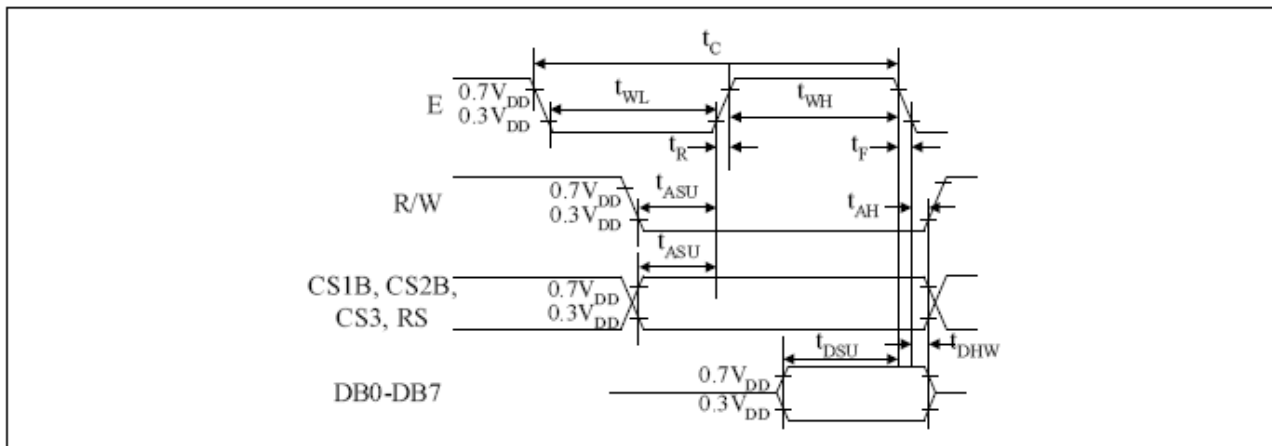
Please download specification at http://www.newhavendisplay.com/app_notes/NT7108.pdf

Table of Commands

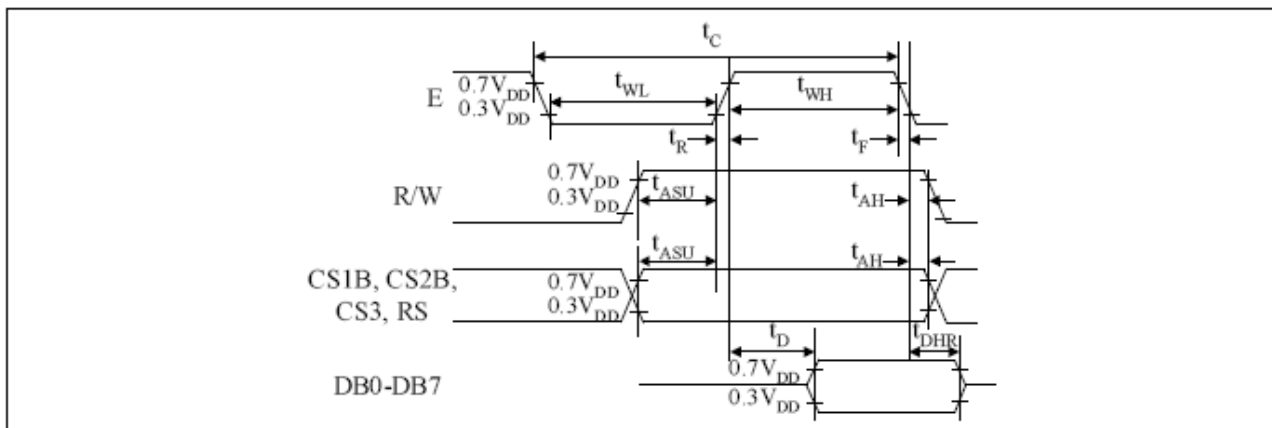
Instruction	RS	R/W	DB7	DB6	DB5	DB4	DB3	DB2	DB1	DB0	Function	
Display on/off	L	L	L	L	H	H	H	H	H	L/H	Controls the display on or off. Internal status and display RAM data is not affected. L:OFF, H:ON	
Set address (Y address)	L	L	L	H	Y address (0-63)						Sets the Y address in the Y address counter.	
Set page (X address)	L	L	H	L	H	H	H	Page (0-7)			Sets the X address at the X address register.	
Display Start line (Z address)	L	L	H	H	Display start line (0-63)						Indicates the display data RAM displayed at the top of the screen.	
Status read	L	H	Busy	L	On/Off	Reset	L	L	L	L	Read status. BUSY L: Ready H: In operation ON/OFF L: Display ON H: Display OFF RESET L: Normal H: Reset	
Write display data	H	L	Write data									Writes data (DB0: 7) into display data RAM. After writing instruction, Y address is increased by 1 automatically.
Read display data	H	H	Read data									Reads data (DB0: 7) from display data RAM to the data bus.

Timing Characteristics

Characteristic	Symbol	Min	Type	Max	Unit
E cycle	t_c	1000	-	-	ns
E high level width	t_{WH}	450	-	-	
E low level width	t_{WL}	450	-	-	
E rise time	t_R	-	-	25	
E fall time	t_F	-	-	25	
Address set-up time	t_{ASU}	140	-	-	
Address hold time	t_{AH}	10	-	-	
Data set-up time	t_{DSU}	200	-	-	
Data delay time	t_D	-	-	320	
Data hold time (write)	t_{DHW}	10	-	-	
Data hold time (read)	t_{DHR}	20	-	-	



MPU Write Timing



MPU Read Timing

Example Initialization Program

'DB0-DB7	7-14	P1
'CS2B	16	P3.6
'CS1B	15	P3.1
'/RST	17	P3.2
'R/W	5	P3.7
'RS	4	P3.0
'E	6	P3.4

```

Sub Init
  Reset P3.2
  Set P3.2
  Reset P3.4
  Reset P3.0
  Reset P3.7
  Reset P3.6
  Reset P3.1
  A = &H3F
  Call Comleft                                'display on
  Call Comright                               'display on
End Sub

```

```

Sub Comleft
  P1 = A
  Set P3.6
  Reset P3.0
  Set P3.4
  Reset P3.4
  Reset P3.6
End Sub

```

```

Sub Comright
  P1 = A
  Set P3.1
  Reset P3.0
  Set P3.4
  Reset P3.4
  Reset P3.1
End Sub

```

```

Sub Writeleft
  P1 = A
  Set P3.6
  Set P3.0
  Set P3.4
  Reset P3.4
  Reset P3.6
End Sub

```

```

Sub Writerright
  P1 = A
  Set P3.1
  Set P3.0
  Set P3.4
  Reset P3.4
  Reset P3.1
End Sub

```

Quality Information

Test Item	Content of Test	Test Condition	Note
High Temperature storage	Endurance test applying the high storage temperature for a long time.	+80°C , 200hrs	2
Low Temperature storage	Endurance test applying the low storage temperature for a long time.	-30°C , 200hrs	1,2
High Temperature Operation	Endurance test applying the electric stress (voltage & current) and the high thermal stress for a long time.	+70°C 200hrs	2
Low Temperature Operation	Endurance test applying the electric stress (voltage & current) and the low thermal stress for a long time.	-20°C , 200hrs	1,2
High Temperature / Humidity Operation	Endurance test applying the electric stress (voltage & current) and the high thermal with high humidity stress for a long time.	+60°C , 90% RH , 96hrs	1,2
Thermal Shock resistance	Endurance test applying the electric stress (voltage & current) during a cycle of low and high thermal stress.	-20°C,30min -> 25°C,5min -> 70°C,30min = 1 cycle 10 cycles	
Vibration test	Endurance test applying vibration to simulate transportation and use.	10-55Hz , 1.5mm amplitude. 60 sec in each of 3 directions X,Y,Z For 15 minutes	3
Static electricity test	Endurance test applying electric static discharge.	V _s =±600V, R _s =330Ω, C _s =150pF 10 times	

Note 1: No condensation to be observed.

Note 2: Conducted after 4 hours of storage at 25°C, 0%RH.

Note 3: Test performed on product itself, not inside a container.

Precautions for using LCDs/LCMs

See Precautions at www.newhavendisplay.com/specs/precautions.pdf

Warranty Information and Terms & Conditions

http://www.newhavendisplay.com/index.php?main_page=terms