



**Mallory Sonalert Products, Inc.**

Part #:

**MSS5DM**

**Sales Outline Drawing**

Revision:

**B**

**Specifications:**

**cUL Recognized to IEC60601-1-8**

Sound Level Category:	Loud
Mode of Operation:	Medium Priority Alarm 3 beeps repeating every 7.5 sec
Voltage Rating:	5 ± 0.5 VDC
Loudness @ 10cm:	85 to 95 dB(A) Typ.
Frequency:	150 to 4000 Hz
Average Current Draw:	<200mA Typ.
Ipk Current*:	400mA
Housing Material:	Valox (UL94V-0), Color: Black
Storage Temperature:	-30° to +60° C
Operating Temperature:	-30° to +55° C
Weight Typical:	6.0g
Options:	Please contact factory.

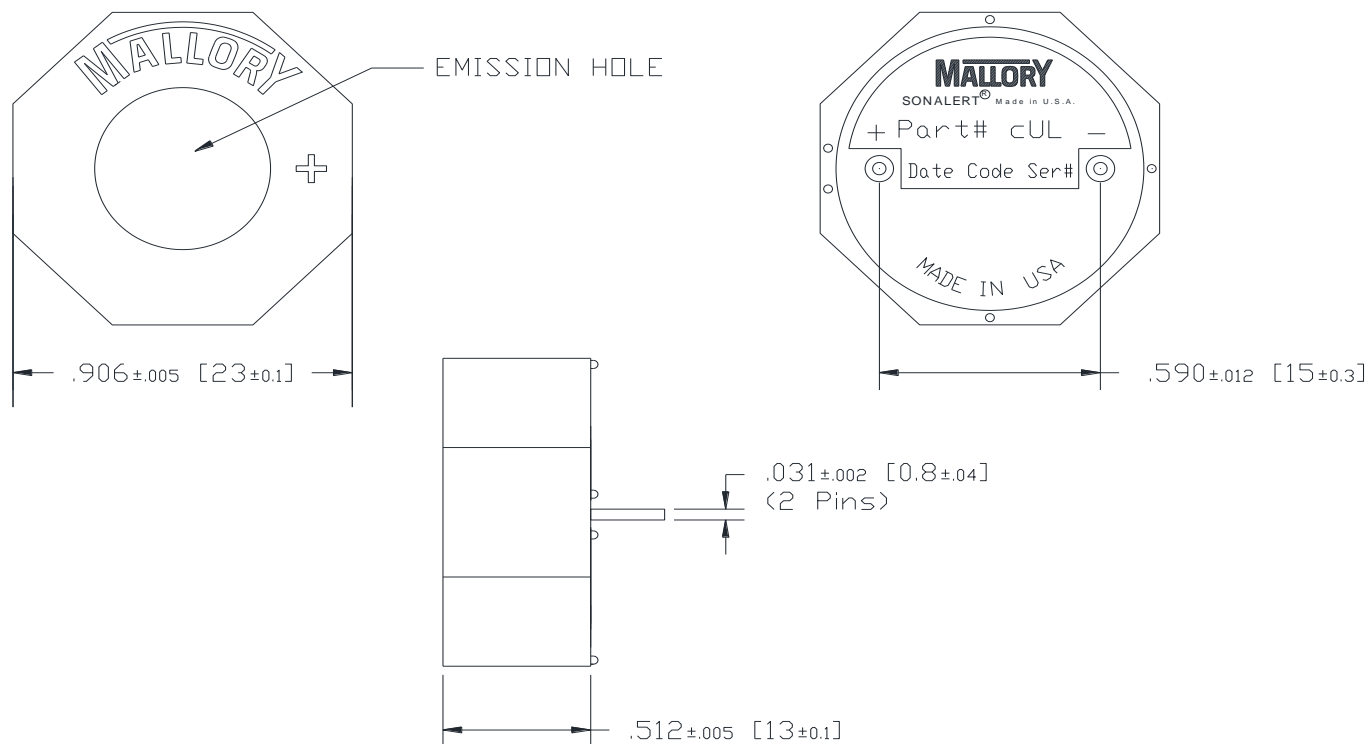
**Dimensions:**

Inches (mm)

**cUL Recognized**

**ROHS Compliant**

PATENT NUMBER: 7880593



NOTE A:  
 TERMINALS - .031" DIA. NICKEL/TIN COATED BRASS.

NOTE B:  
 MOUNTING- INSERT INTO PRINTED CIRCUIT BOARD AND HAND OR MACHINE SOLDER.  
 UNITS ARE SUITABLE FOR WAVE SOLDERING. BOARDS ARE NOT SUITABLE FOR WASH.  
 RECOMMENDED MAXIMUM TEMPERATURE AND TIME DURATION FOR WAVE SOLDERING IS  
 +270°C AND 3 SECONDS RESPECTIVELY.

\*Ipk = Instantaneous Peak