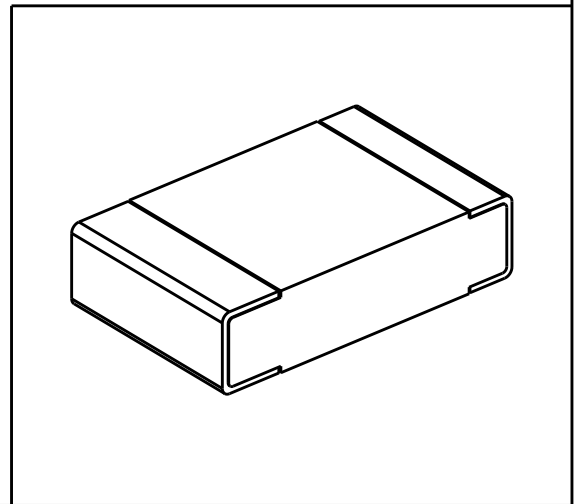
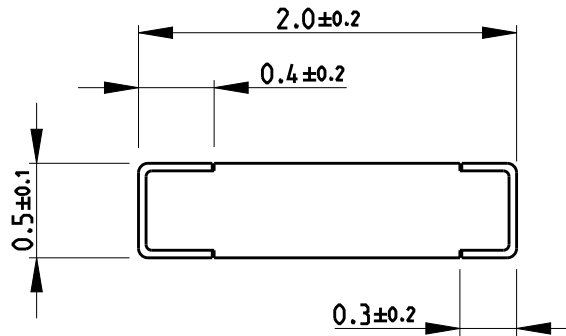
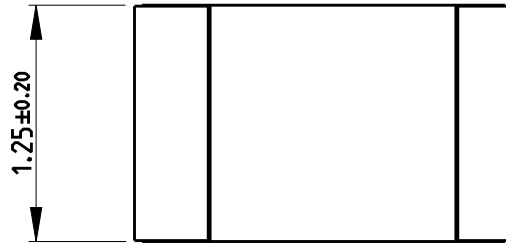


REVISIONS


P	LTR	DESCRIPTION	DATE	DWN	APVD
	BA	NEW RELEASE	27APR2020	SB	AP

FOR FURTHER INFORMATION SEE DATA SHEET FOR CPF SERIES-THIN FILM PRECISION CHIP RESISTORS



RoHS Compliant

© 2020 TE Connectivity. All Rights Reserved.

DIMENSIONS: mm		DWN SHRICHARANA B 27APR2020	MATERIAL -	FINISH -			
TOLERANCES UNLESS OTHERWISE SPECIFIED:		CHK ALLAN P 27APR2020	 TE Connectivity				
0 PLC ±0.2 1 PLC ±0.1 2 PLC ± 3 PLC ± 4 PLC ± ANGLES 5°		APVD ALLAN P 27APR2020					
		PRODUCT SPEC -	NAME THIN FILM PRECISION CHIP RESISTORS SERIES CPF 0805				
		APPLICATION SPEC -	SIZE A4	CAGE CODE 00779	DRAWING NO C-1614958	RESTRICTED TO -	
		WEIGHT -	CUSTOMER DRAWING		SCALE 25:1	SHEET 1 OF 1	REV BA