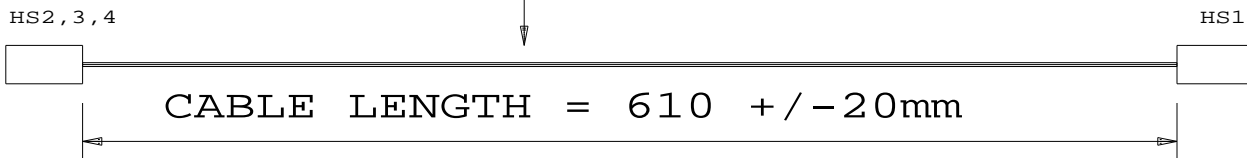
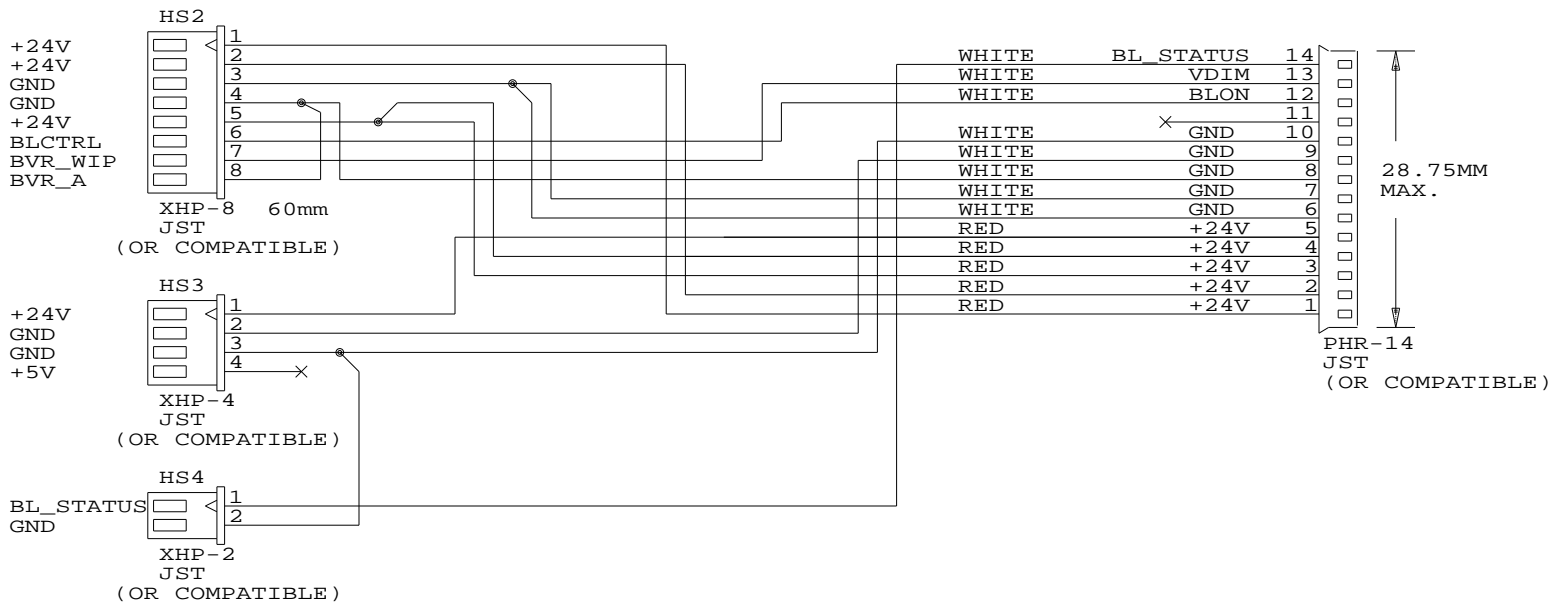


CABLE TIE WITH P/N TAG



WIRE:

HS1 PIN 1-5: UL1007 AWG24 RED
 OTHERS: UL1007 AWG24 WHITE



RoHS
COMPLIANCE

DIGITAL VIEW LTD.
 COPYRIGHT 2006, ALL RIGHTS RESERVED
 CONFIDENTIAL
 DRAWN BY: VICTOR NG

CABLE P/N: 426061600-3, 610mm
 INV. CABLE FOR SAMSUNG LTB300M1-P01

Title		REV
INVERTER CABLE: LTB300M1-P01, 610mm		
Size	Document Number	
A	(:\..\DV\DV_CABLE\C6061600.SCH)	00
Date:	October 25, 2006	Sheet 1 of 1