

U_B12
B12.SchDoc
U_B13
B13.SchDoc
U_B14
B14.SchDoc
U_B15
B15.SchDoc
U_B16
B16.SchDoc
U_B34
B34.SchDoc

U_FPGA-MGT
FPGA-MGT.SchDoc
U_FPGA-CFG
FPGA-CFG.SchDoc
U_FPGA-MISC
FPGA-MISC.SchDoc
U_FPGA-PWR
FPGA-PWR.SchDoc

U_PWR1
PWR1.SchDoc
U_PWR2
PWR2.SchDoc

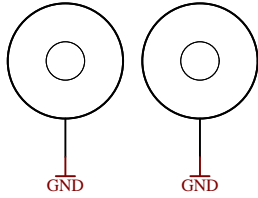
U_Clock
Clock.SchDoc

U_B2B-Connectors
B2B-Connectors.SchDoc

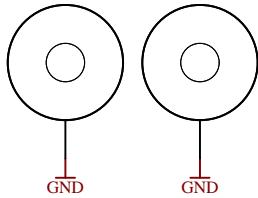
U_B33
B33.SchDoc

Serial
Serialnumber 6,3 x 6.3mm

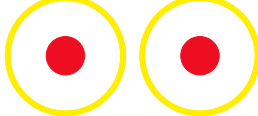
Mount.Hole 3.2mm Mount.Hole 3.2mm



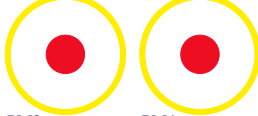
Mount.Hole 3.2mm Mount.Hole 3.2mm



FIDU-DOT - mini FIDU-DOT - mini



PM1 PM2
FIDU-DOT - mini FIDU-DOT - mini

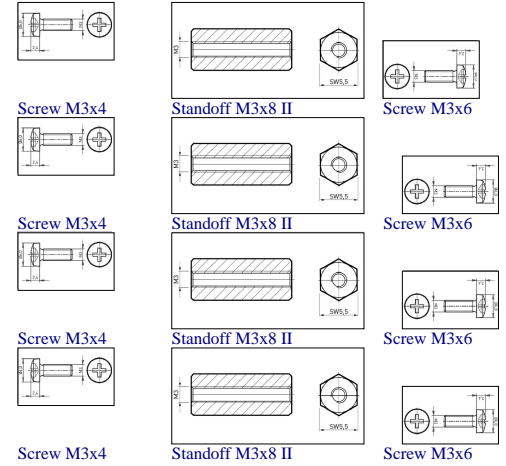


PM3 PM4
FIDU-DOT - mini FIDU-DOT - mini



PM5 PM6

Top of Board



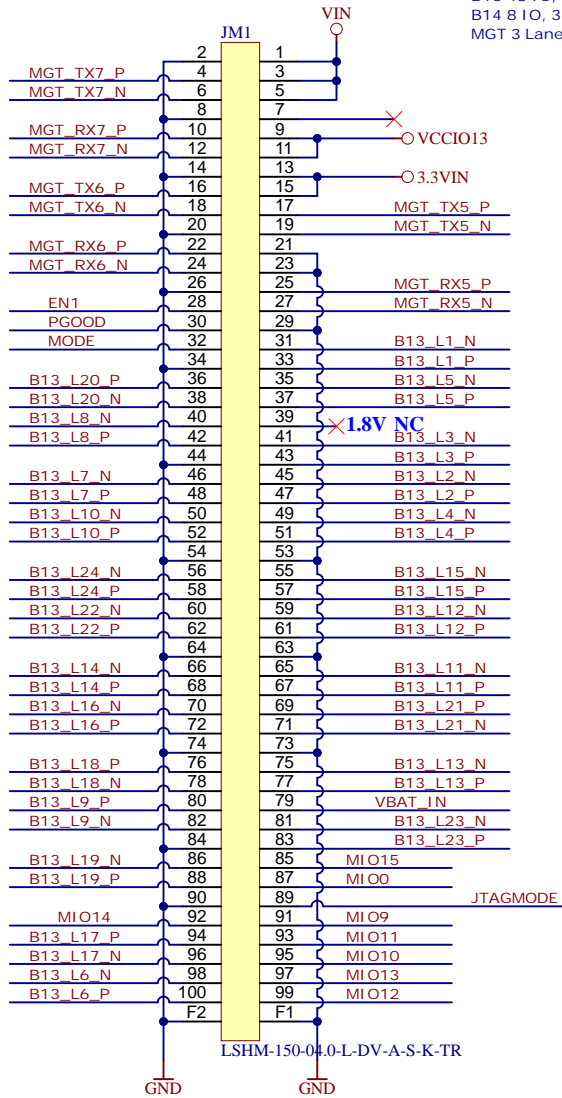
Assembly variant	B2C-1-AF
Created by	VT
Modified by	VT
Modified at	2017-01-23
SVN Revision	12616

	Title: TE0741		
	A4	Number: TE0741 B2C-1-AF	Rev. 04
	Date: 2016-10-25	Copyright: 2013 Trenz Electronic GmbH	Page1 of 17
	Filename: TE0741.SchDoc		

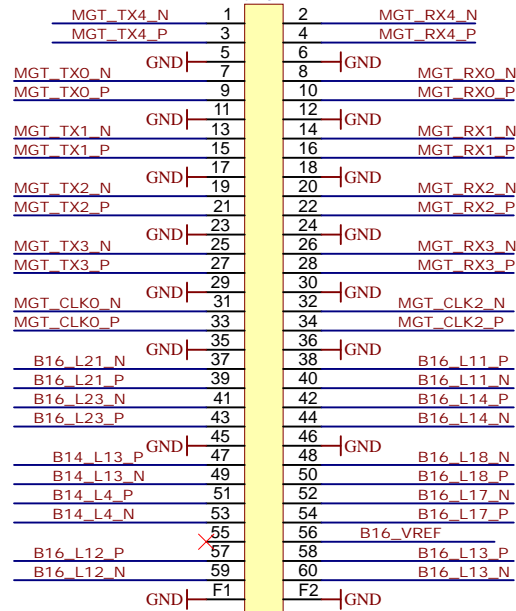
B13 48 IO, 24 LVDS Pairs
 B14 8 IO, 3.3V
 MGT 3 Lanes

B16 16 IO, 8 LVDS Pairs
 MGT 4 + 1 Lanes
 B14 4 IO, 3.3V

B15 18 IO, 9 LVDS Pairs
 B12 48 IO, 24 LVDS Pairs
 B12 2 IO



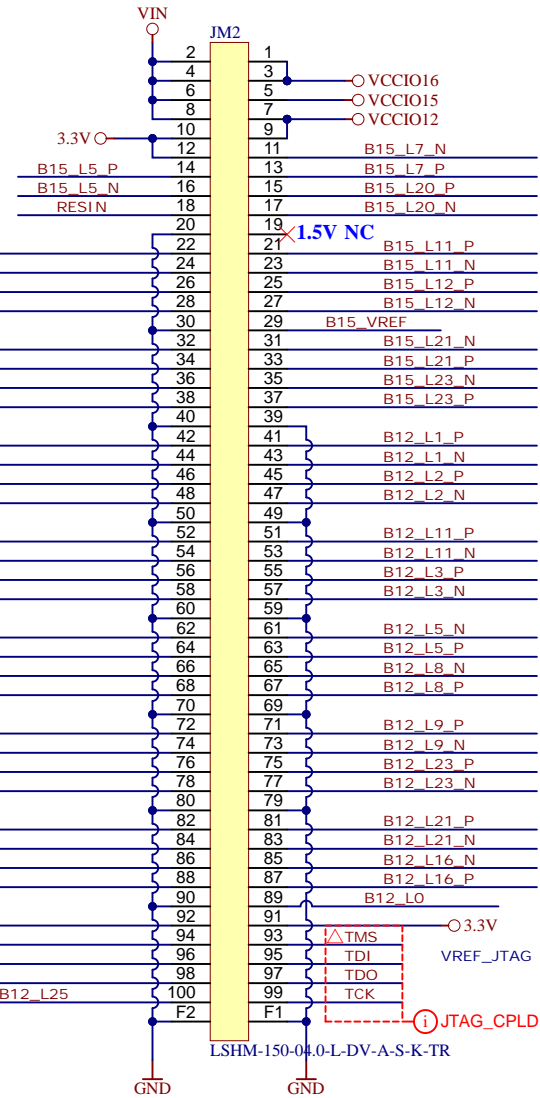
LSHM-150-04.0-L-DV-A-S-K-TR



LSHM-130-04.0-L-DV-A-S-K-TR

TE0720 Compatibility
 MIO0 8 pins => 8 IO B14
 USB D+,D-, vbusen,otg_id => 4 IO B14
 SGMII => MGT
 MIO1(SDCARD) => MGT
 ETH MDI => MGT
 B34 => B16, MGT
 B35 => B13
 B13 => B12
 B33 => B15

Clock Capable I/O
 All pins named
 Bxx_11_X
 Bxx_12_X
 Bxx_13_X
 Bxx_14_X
 Are Clock Capable I/O's



LSHM-150-04.0-L-DV-A-S-K-TR

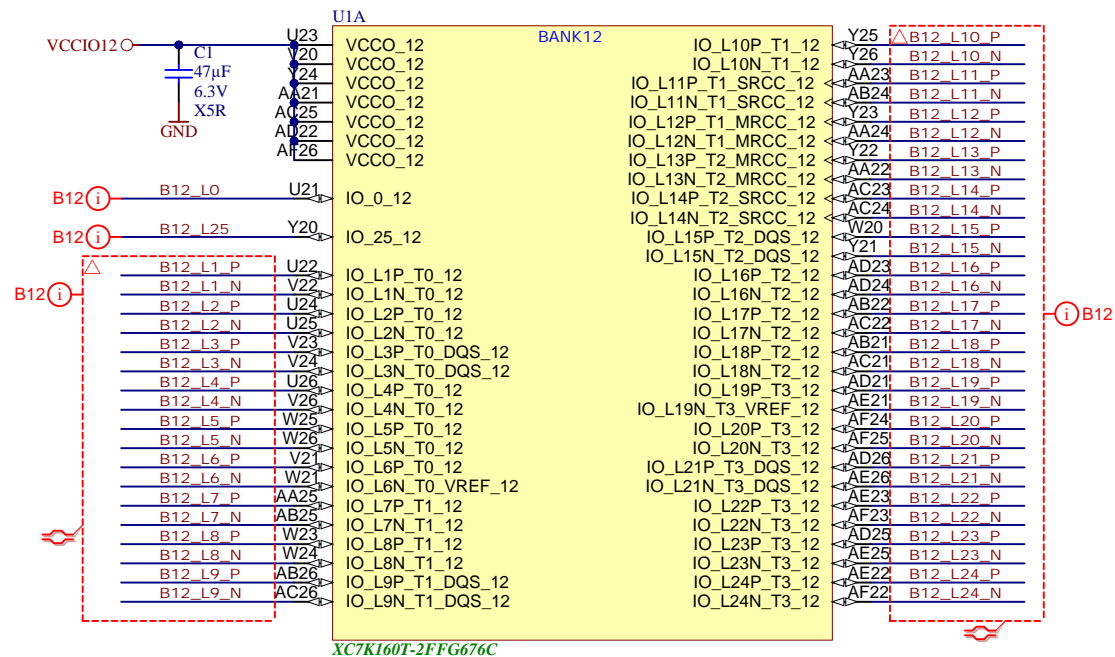
3.3V
 VREF_JTAG
 JTAG_CPLD

	Title: TE0741		
	A4	Number: TE0741 B2C-1-AF	Rev. 04
	Date: 2016-10-25	Copyright: 2013 Trenz Electronic GmbH	Page 2 of 17
	Filename: B2B-Connectors.SchDoc		

B12_FIXED ⓘ

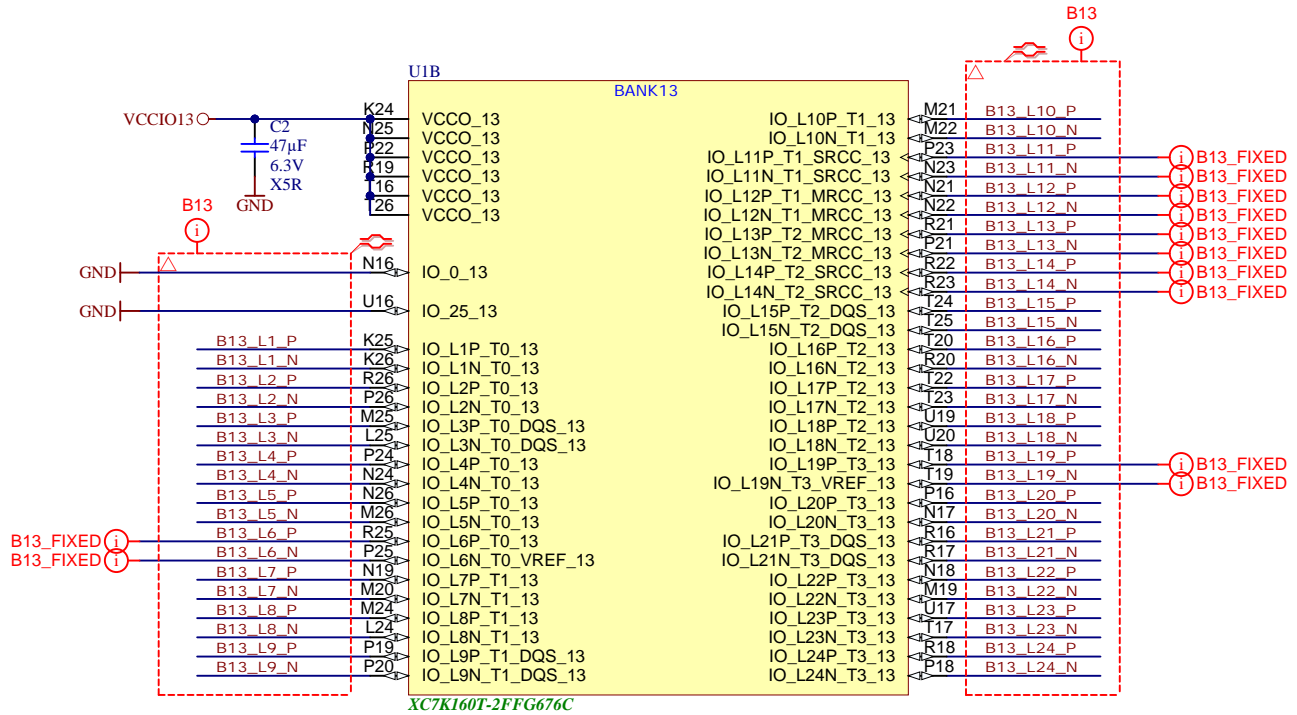
B12_L11_P
B12_L11_N
B12_L12_P
B12_L12_N
B12_L13_P
B12_L13_N
B12_L14_P
B12_L14_N
B12_L19_P
B12_L19_N
B12_L6_P
B12_L6_N

K70T version does not have this bank!



XC7K160T-2FFG676C

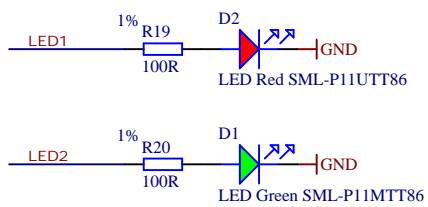
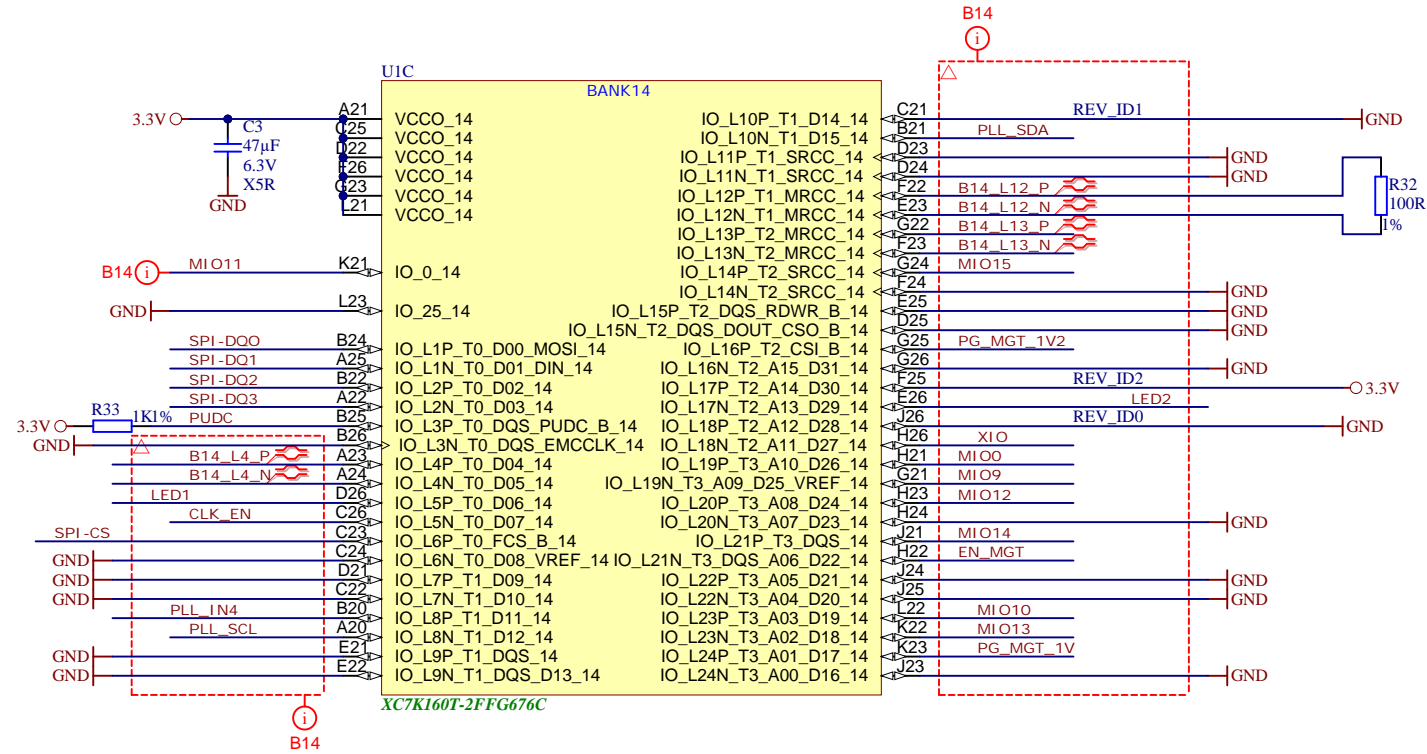
	Title: TE0741		
	A4	Number: TE0741 B2C-1-AF	Rev. 04
	Date: 2016-10-25	Copyright: 2013 Trenz Electronic GmbH	Page 3 of 17
	Filename: B12.SchDoc		



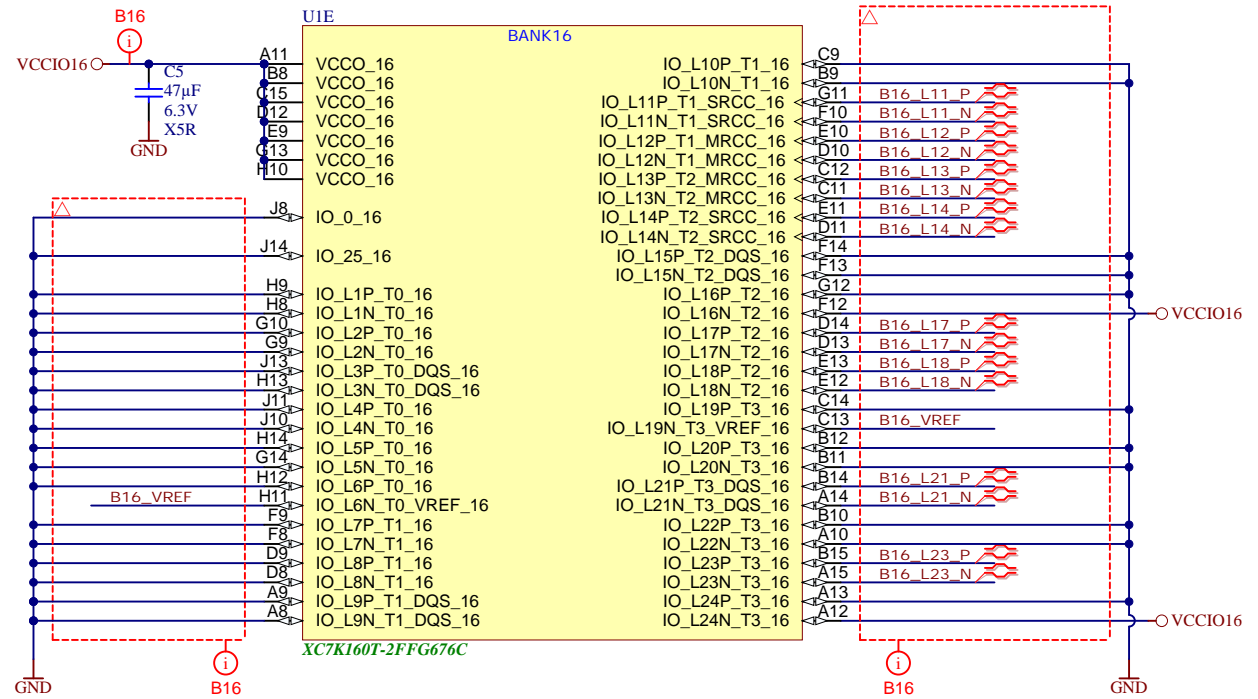
	Title: TE0741		
	A4	Number: TE0741 B2C-1-AF	Rev. 04
	Date: 2016-10-25	Copyright: 2013 Trenz Electronic GmbH	
	Page 4 of 17	Page 4 of 17	
Filename: B13.SchDoc			


Revision PCB Board:

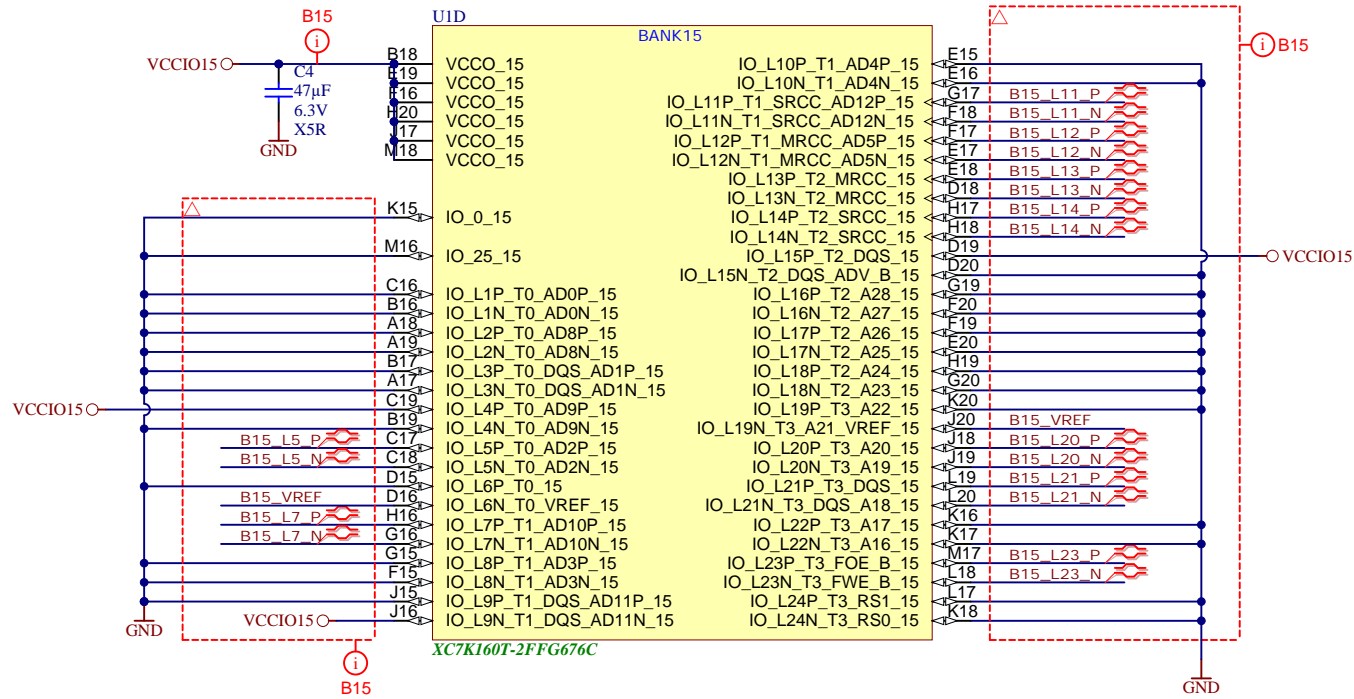
	"0"	"1"	"2"	"3"	"4"
REV_ID0	0	1	0	1	0
REV_ID1	0	0	1	1	0
REV_ID2	0	0	0	0	1




Title: TE0741		
A4	Number: TE0741 B2C-1-AF	Rev. 04
Date: 2016-10-25	Copyright: 2013 Trenz Electronic GmbH	Page 5 of 17
Filename: B14.SchDoc		



	Title: TE0741		
	A4	Number: TE0741 B2C-1-AF	Rev. 04
	Date: 2016-10-25	Copyright: 2013 Trenz Electronic GmbH	Page 6 of 17
	Filename: B16.SchDoc		



		Title: TE0741	
		A4	Number: TE0741 B2C-1-AF
Date: 2016-10-25		Copyright: 2013 Trenz Electronic GmbH	
Page 7 of 17		Page 7 of 17	
Filename: B15.SchDoc			

1

2

3

4

A

A

B

B

C

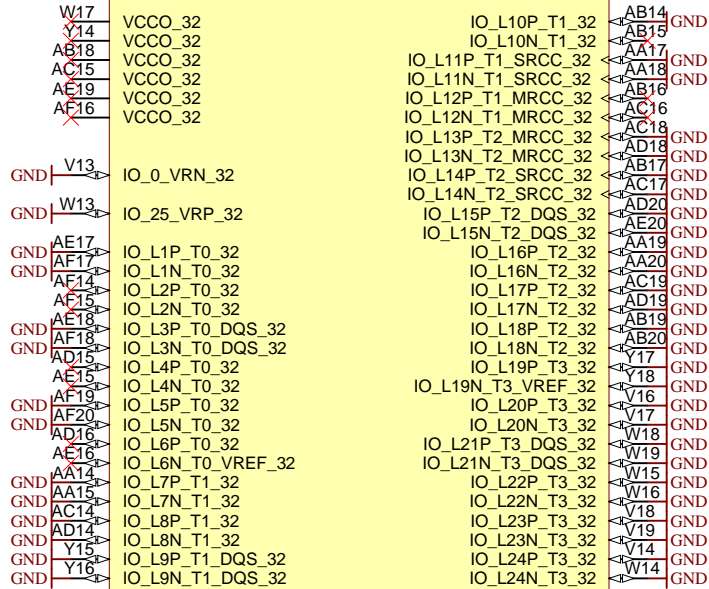
C

D

D

UIF

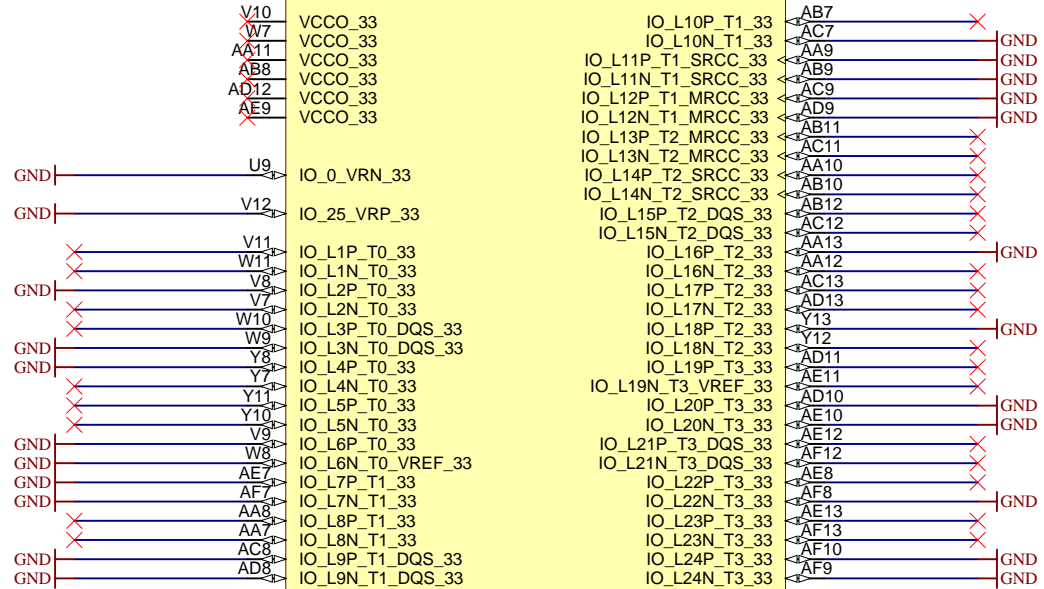
BANK32



XC7K160T-2FFG676C

UIG

BANK33



XC7K160T-2FFG676C



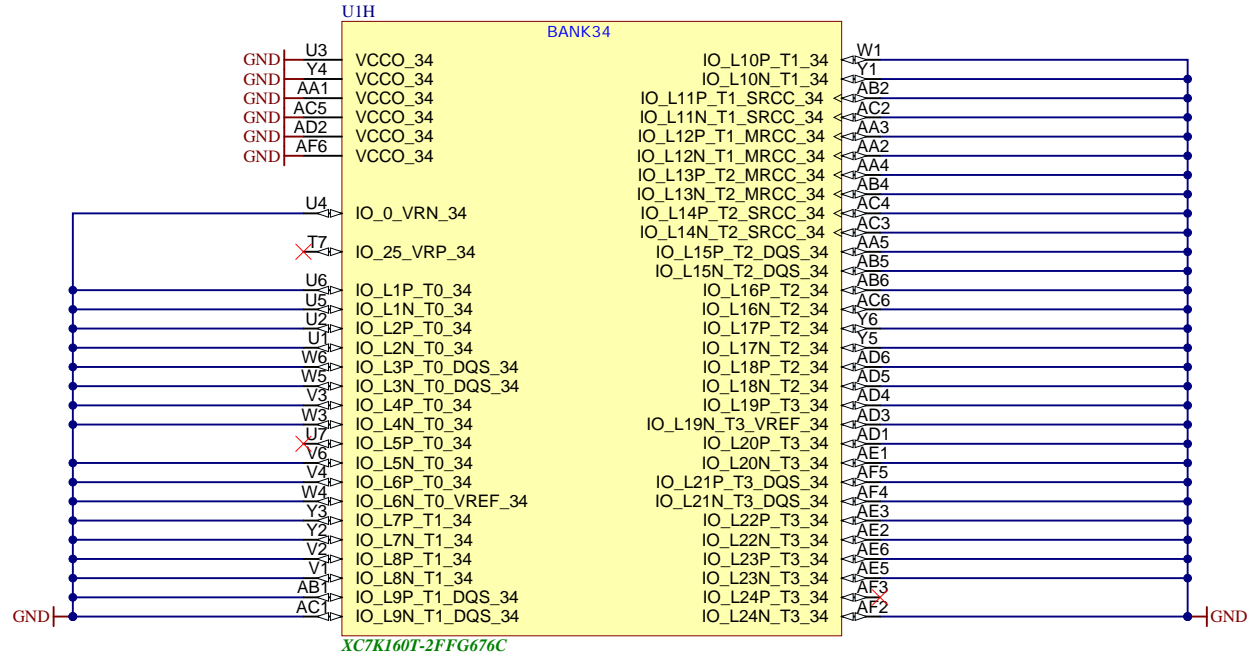
Title: TE0741		
A4	Number: TE0741 B2C-1-AF	Rev. 04
Date: 2016-10-25	Copyright: 2013 Trenz Electronic GmbH	Page8 of 17
Filename: B33.SchDoc		

1

2

3

4



XC7K160T-2FFG676C



Title: TE0741		
A4	Number: TE0741 B2C-1-AF	Rev. 04
Date: 2016-10-25	Copyright: 2013 Trenz Electronic GmbH	Page9 of 17
Filename: B34.SchDoc		

1

2

3

4

A

A

B

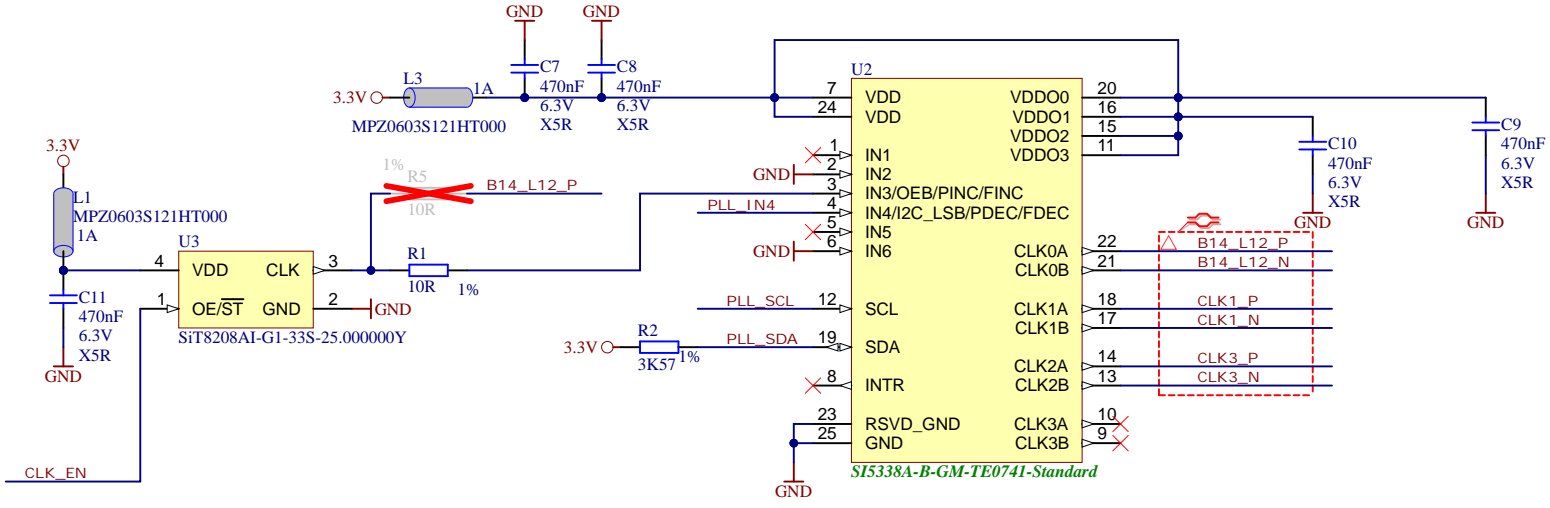
B

C

C

D

D



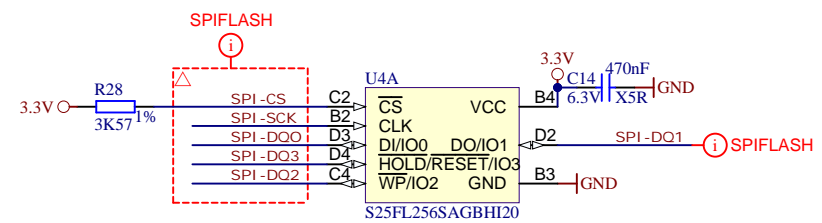
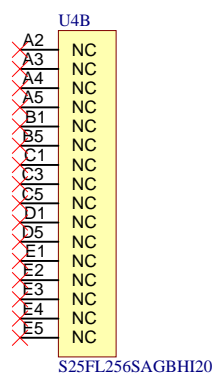
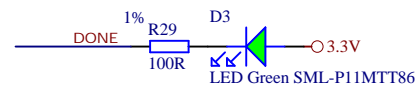
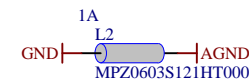
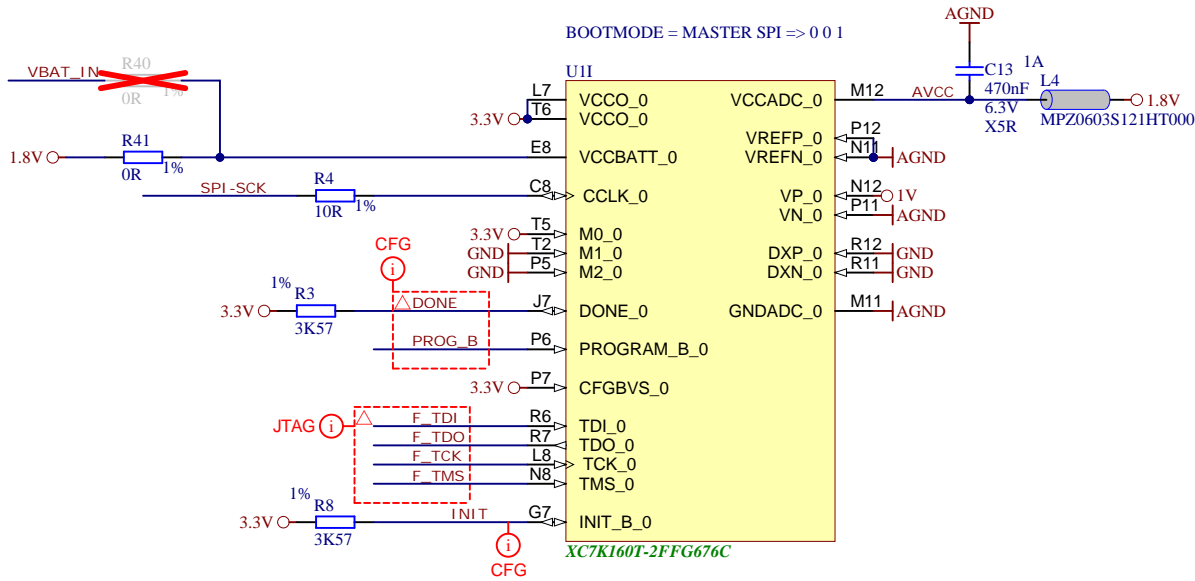
Title: TE0741	
A4	Number: TE0741 B2C-1-AF
Date: 2016-10-25	Rev. 04
Copyright: 2013 Trenz Electronic GmbH	
Page 10 of 17	
Filename: Clock.SchDoc	


1

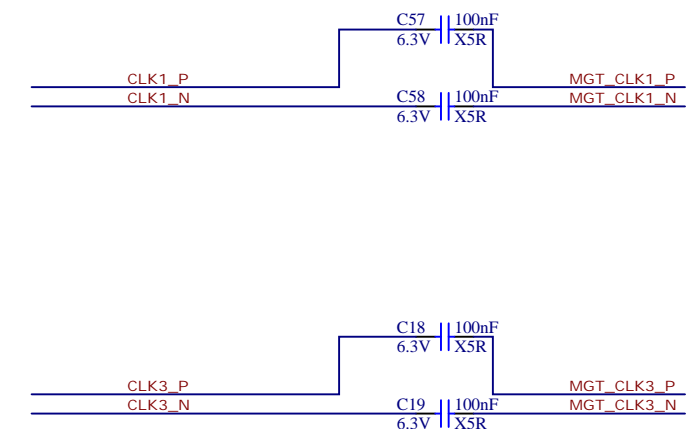
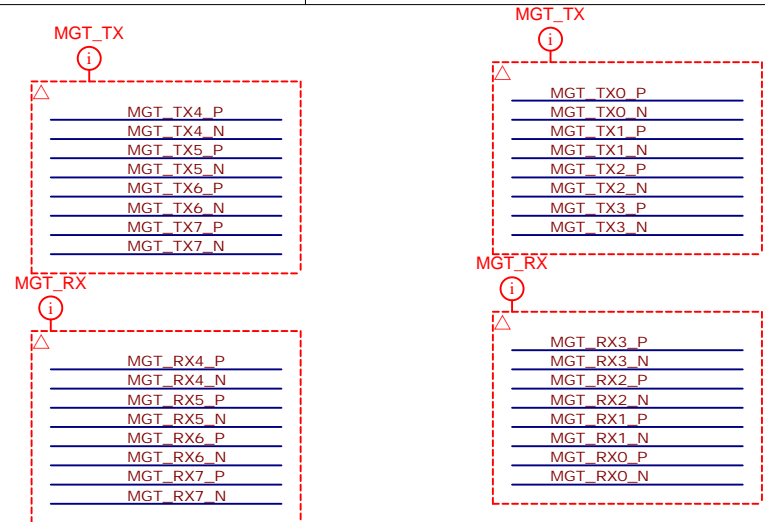
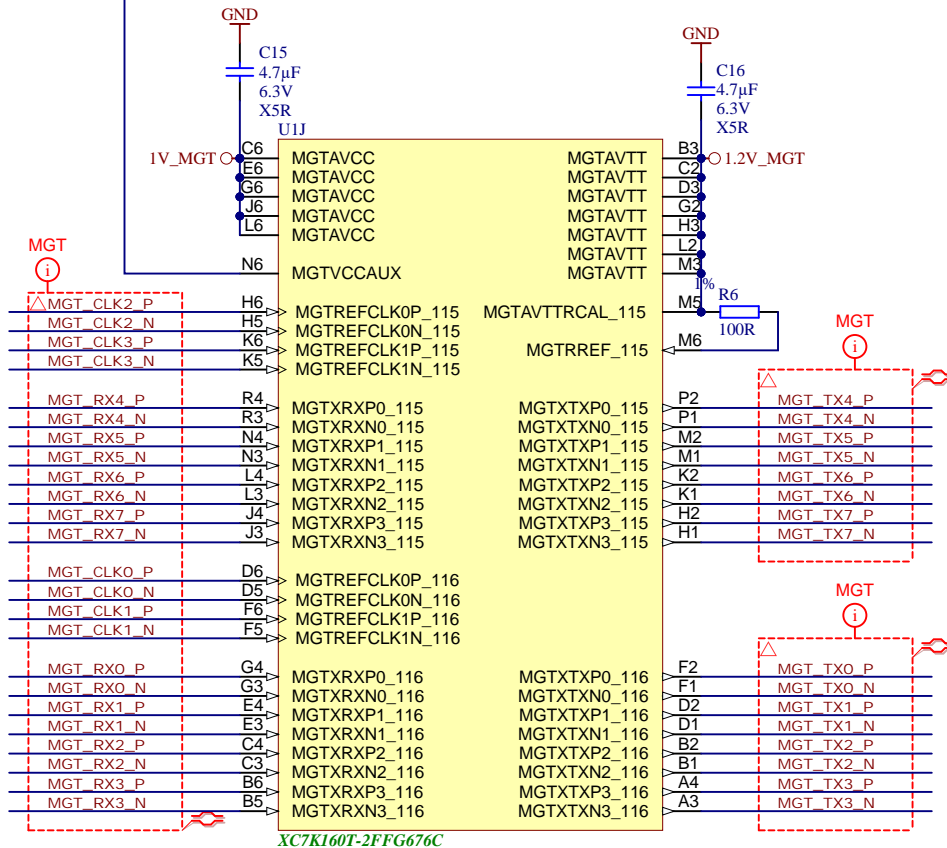
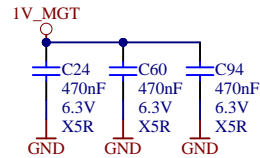
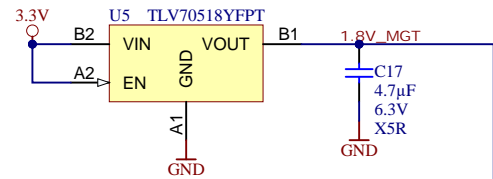

2

3

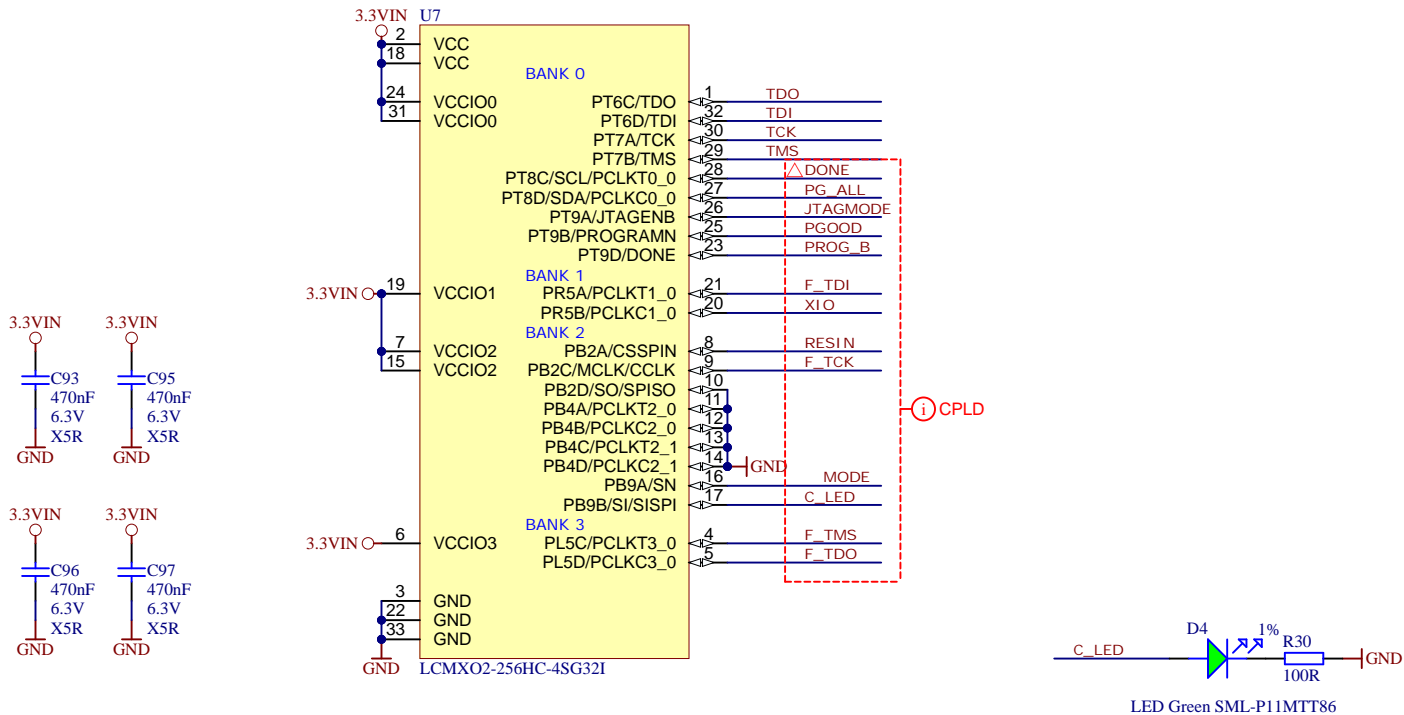

4



		Title: TE0741	
		A4	Number: TE0741 B2C-1-AF
Date: 2016-10-25		Copyright: 2013 Trenz Electronic GmbH	
Page 11 of 17		Page 11 of 17	
Filename: FPGA-CFG.SchDoc		Filename: FPGA-CFG.SchDoc	

Title: TE0741		
A4	Number: TE0741 B2C-1-AF	Rev. 04
Date: 2016-10-25	Copyright: 2013 Trenz Electronic GmbH	Page 12 of 17
Filename: FPGA-MGT.SchDoc		

Title: TE0741		
A4	Number: TE0741 B2C-1-AF	Rev. 04
Date: 2016-10-25	Copyright: 2013 Trenz Electronic GmbH	Page 13 of 17
Filename: FPGA-MISC.SchDoc		

1

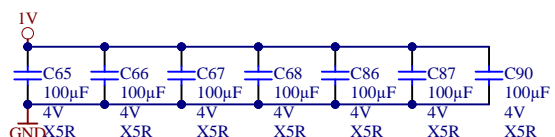
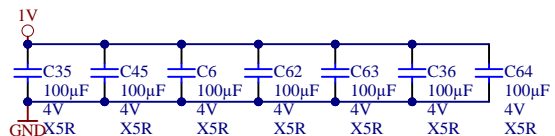
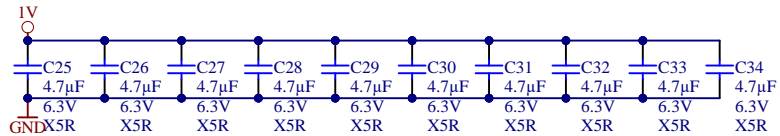
2

3

4

A

A



B

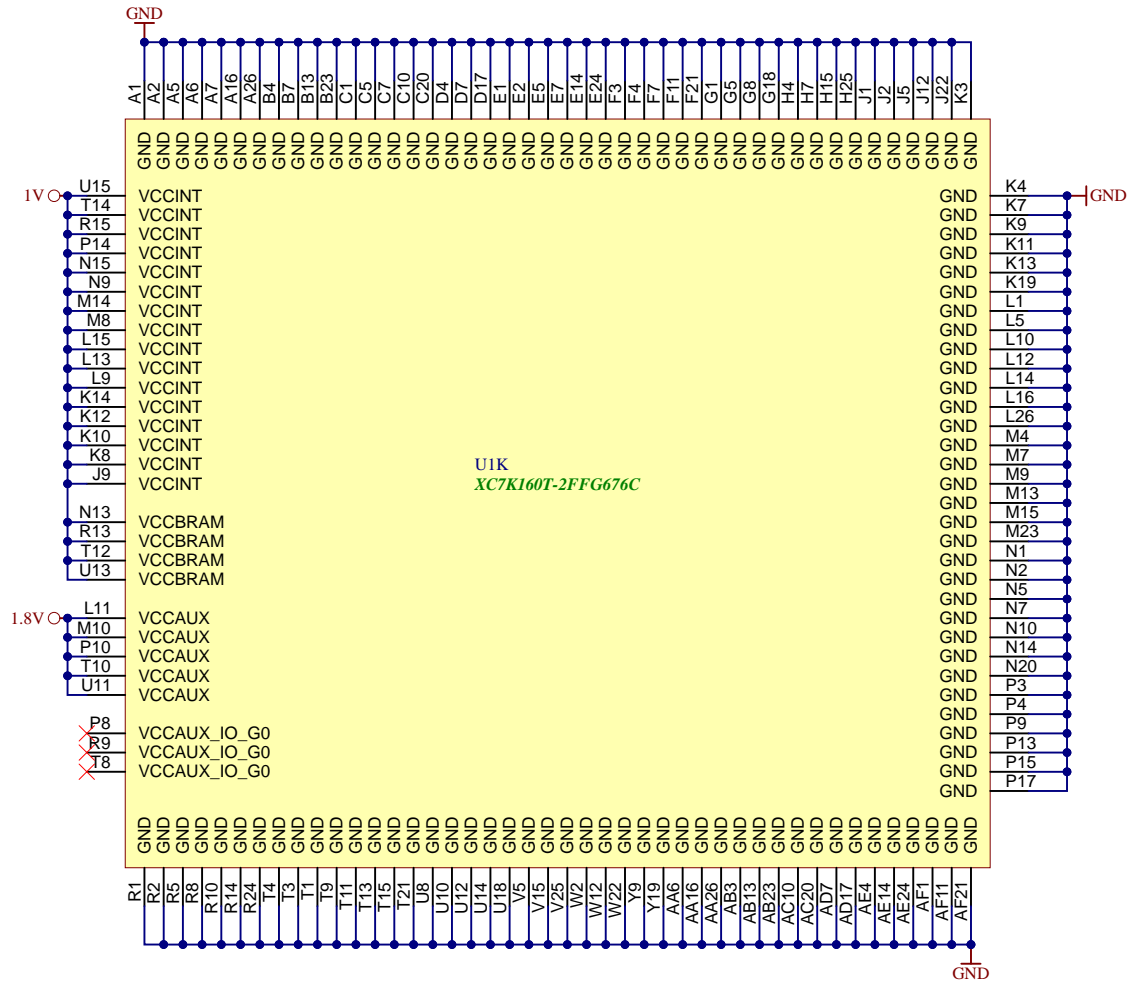
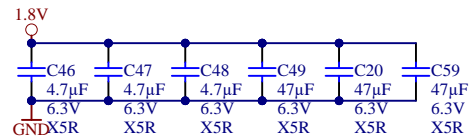
B

C

C

D

D



Title: TE0741		
A4	Number: TE0741 B2C-1-AF	Rev. 04
Date: 2016-10-25	Copyright: 2013 Trenz Electronic GmbH	Page 14 of 17
Filename: FPGA-PWR.SchDoc		

A

A

B

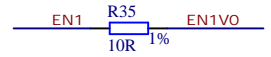
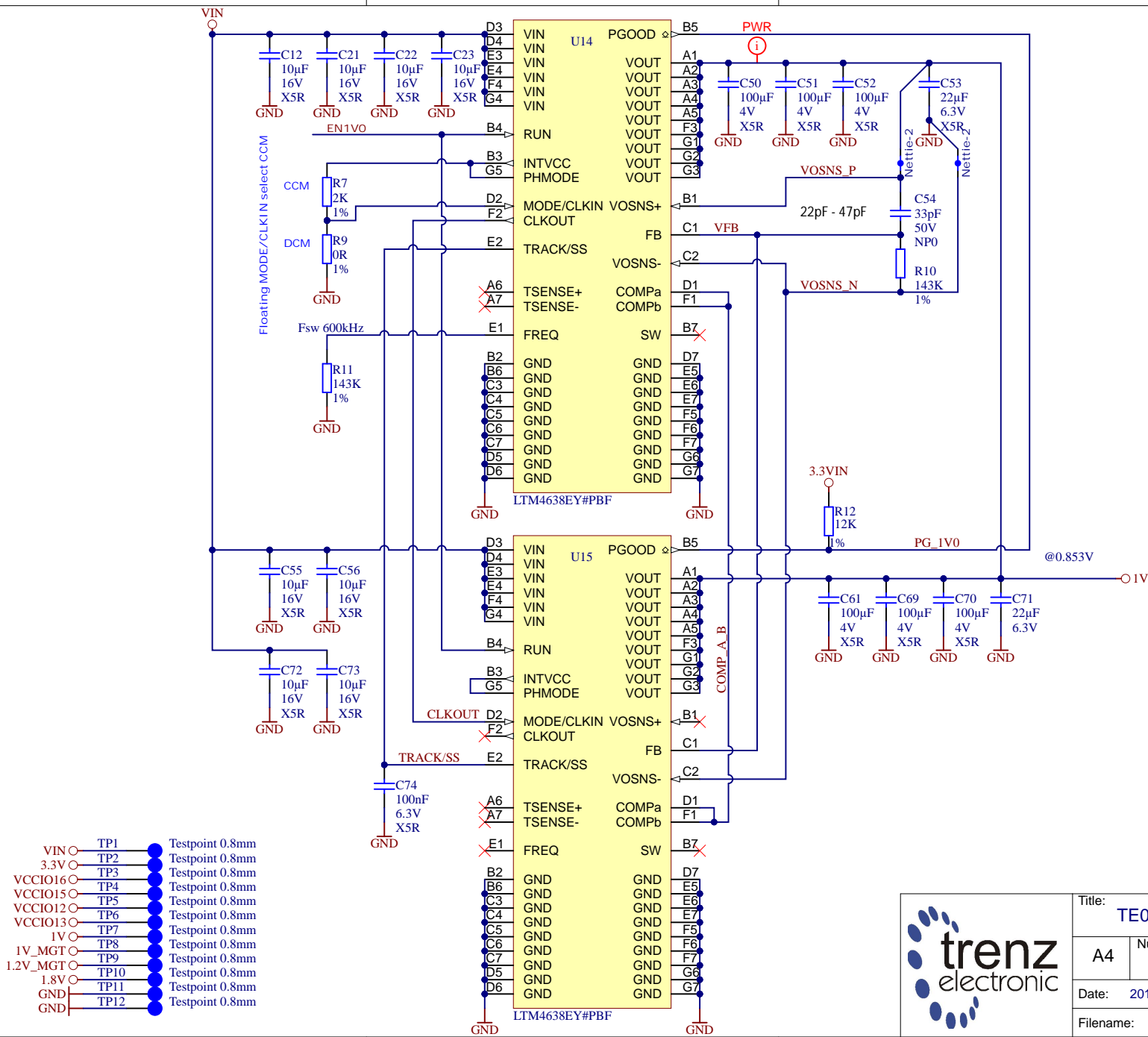
B

C

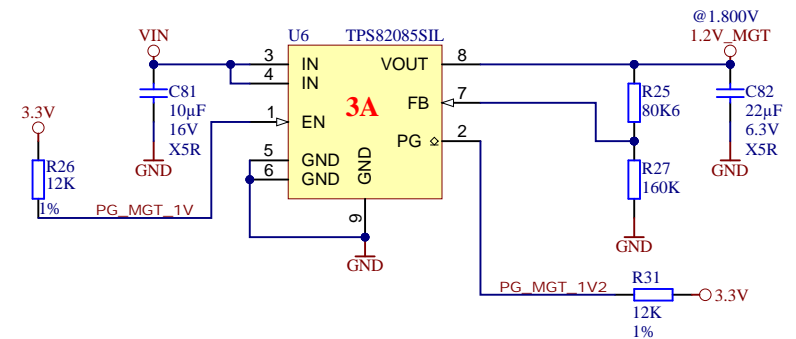
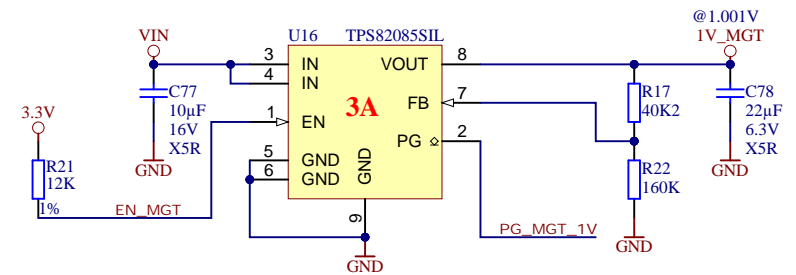
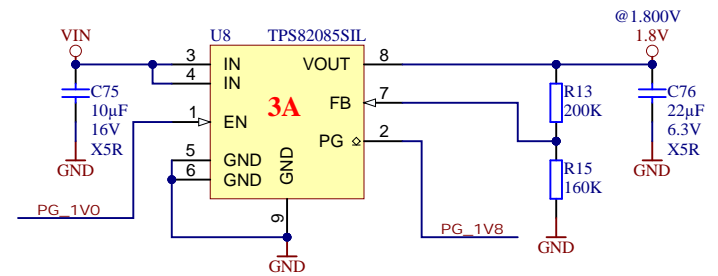
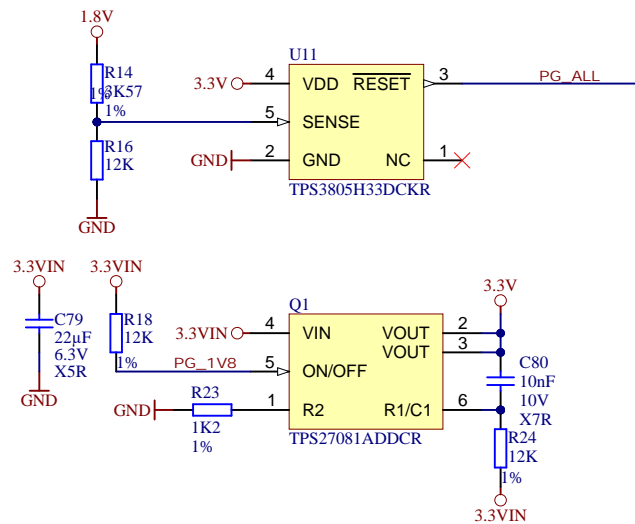
C

D

D



Title: TE0741		
A4	Number: TE0741 B2C-1-AF	Rev. 04
Date: 2016-10-25	Copyright: 2013 Trenz Electronic GmbH	Page 15 of 17
Filename: PWR1.SchDoc		



Title: TE0741		
A4	Number: TE0741 B2C-1-AF	Rev. 04
Date: 2016-10-25	Copyright: 2013 Trenz Electronic GmbH	Page 16 of 17
Filename: PWR2.SchDoc		

1

2

3

4

CHANGES REV02 to REV03

- 1) fixed connection DCDC for parallel operations
- 2) update Razorbeam Connectors, full update lib
- 3) added serial number (traceability pad)
- 4) changed ferrite beads L1..L4 size 0402 on BKP0603HS121-T
- 5) added thermal vias to mounting holes

Changes REV03 to REV04 (VT:10.2021):

- 1) replaced all DCDC (reason: not recommended use Enpirion DCDC)
- 2) remove Traceability Pad (reason: EOL)
- 3) added additional resistor for VBAT (reason: possibility using external VBAT from Carrier Board)
- 4) full upd LIB components
- 5) optimization PCB routing

A

A

B


B

C

C

D

D

		Title: TE0741 - Changes list	
		A4	Number: TE0741 B2C-1-AF
Date: 2016-10-25		Copyright: Trenz Electronic GmbH	
Filename: Revision_Changes.SchDoc		Page 17 of 17	

1

2

3

4