



Electrical specifications

Center Frequency (Fc): 2441.5 MHz
Bandwidth (-3dB): 70 MHz
Insertion loss (Fc): <1.1 db (0.9 dB typ)
Return loss: 15 dB (-18 dB typ)
20 dB BW: <91 MHz (Fc+/-45.5 MHz)
30 dB BW: <106 MHz (Fc+/-53 MHz)
60 dB BW: <150 MHz (Fc+/-75 MHz)
Harmonic Rejection: >80 dB (90 dB typ)
Impedance: 50 Ohm
Power Handling: 50 Watts

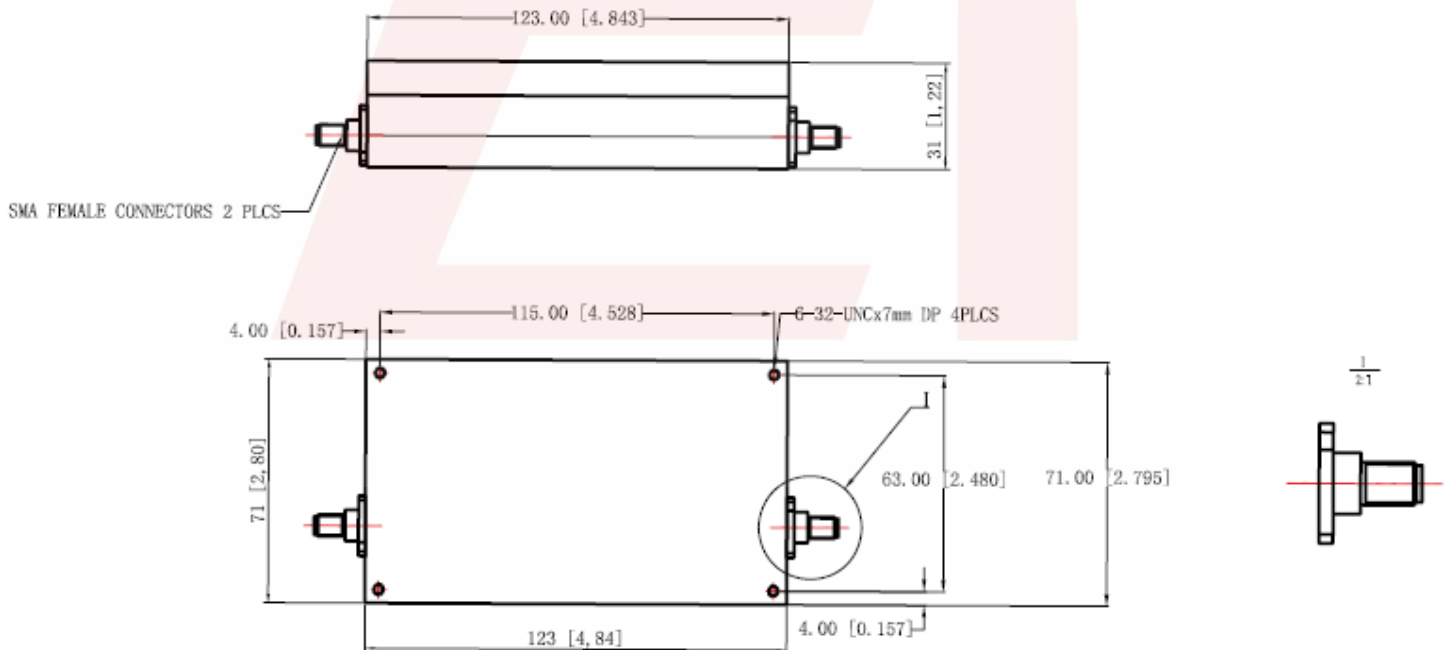
Mechanical

Mounting Method: Threaded Mounting Holes
Connector Type: N Female
Dimensions: 4.84" X 2.80" X 1.22" in

Environmental

Operating Temperature: -45 to +85° C
Storage Temperature: -55 to +95° C
Shock: 20 G. 11ms
Vibration: 20 G. 5 to 200 Hz

Outline Drawing:





Plot:

