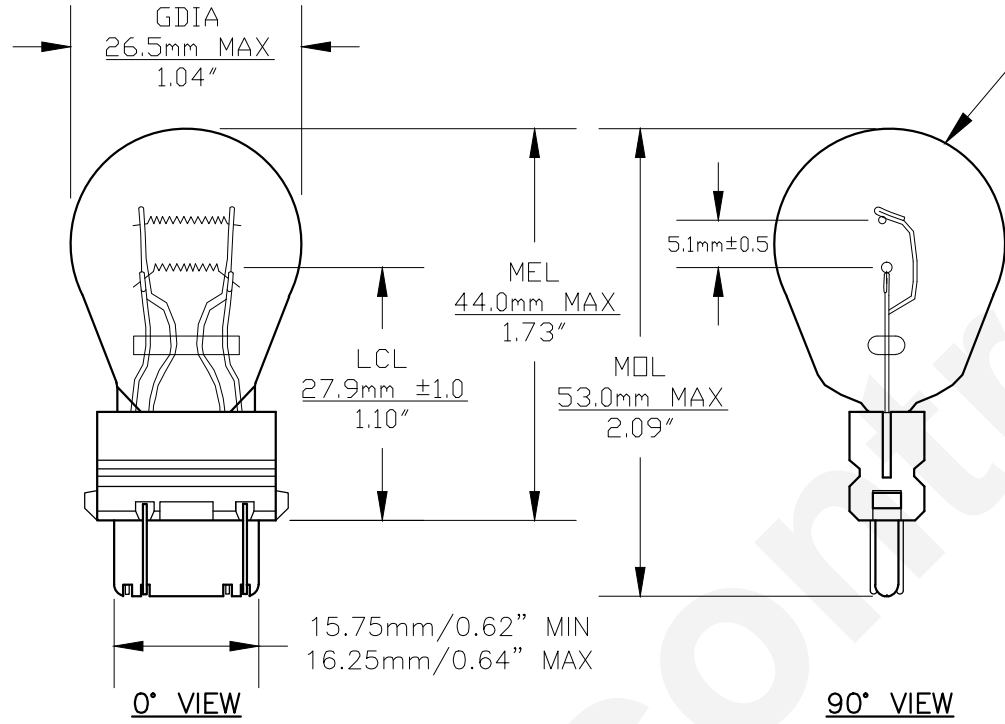




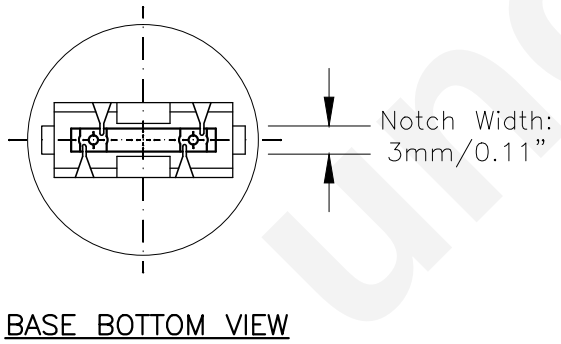
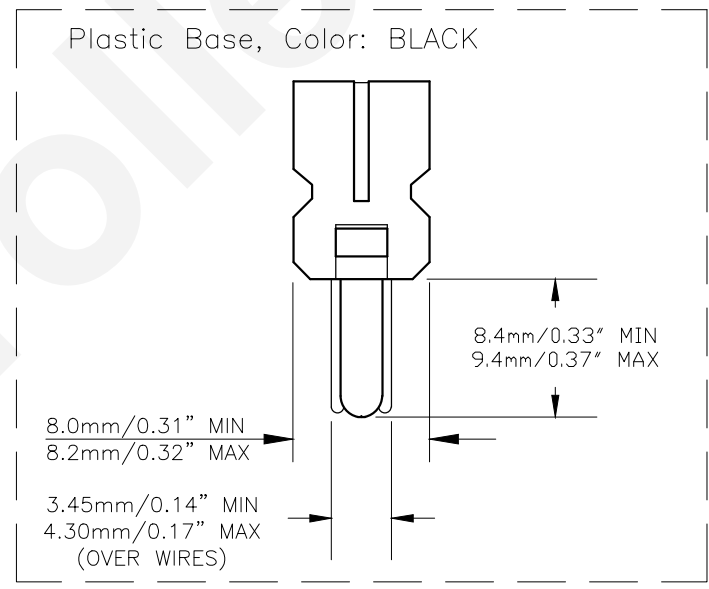
PART NO.	BASE TYPE	DESIGN VOLTS	DESIGN AMPS	MSCD	FILAMENT TYPE	AVERAGE LIFE HOURS
3057LL	D.F. Plastic Wedge W2.5X16q	12.8V 14.0V	2.10±5% 0.48±8%	32±10% 2 ±12%	C-6 C-6	2000 10000

REVISIONS			
REV #	DESCRIPTION	DATE	APPROVED
1	ISSUED	04/12/2001	E.S.
2	SIDE VIEW ADDED, SPECS UPDATED	04/27/2012	D.C.
3	REVISED TOP MSCD FROM 21 TO 32±10%	08/20/2018	D.C.
4	ADDED FILAMENT DISTANCE DIMENSIONS	10/04/2018	R.M.



S-8 BULB SHAPE
Clear Glass

Plastic Base, Color: BLACK



Note: Made according to SAE specifications



UNLESS OTHERWISE SPECIFIED: DIMENSIONS ARE IN INCHES TOLERANCES		CEC INDUSTRIES LTD			
		599 BOND STREET		LINCOLNSHIRE, IL 60069	
DRAWN E. S.	DATE 04/12/2001	TITLE LIGHT BULB NO. 3057LL			
CHECKED		SIZE A	FSCM NO.	DWG NO. 3057LL	REV 4
DESIGN		SCALE	PLOT SCALE	SHEET 1 OF 1	
MATERIAL		FILE 3057LL.pdf	DRAWING NOT TO SCALE		