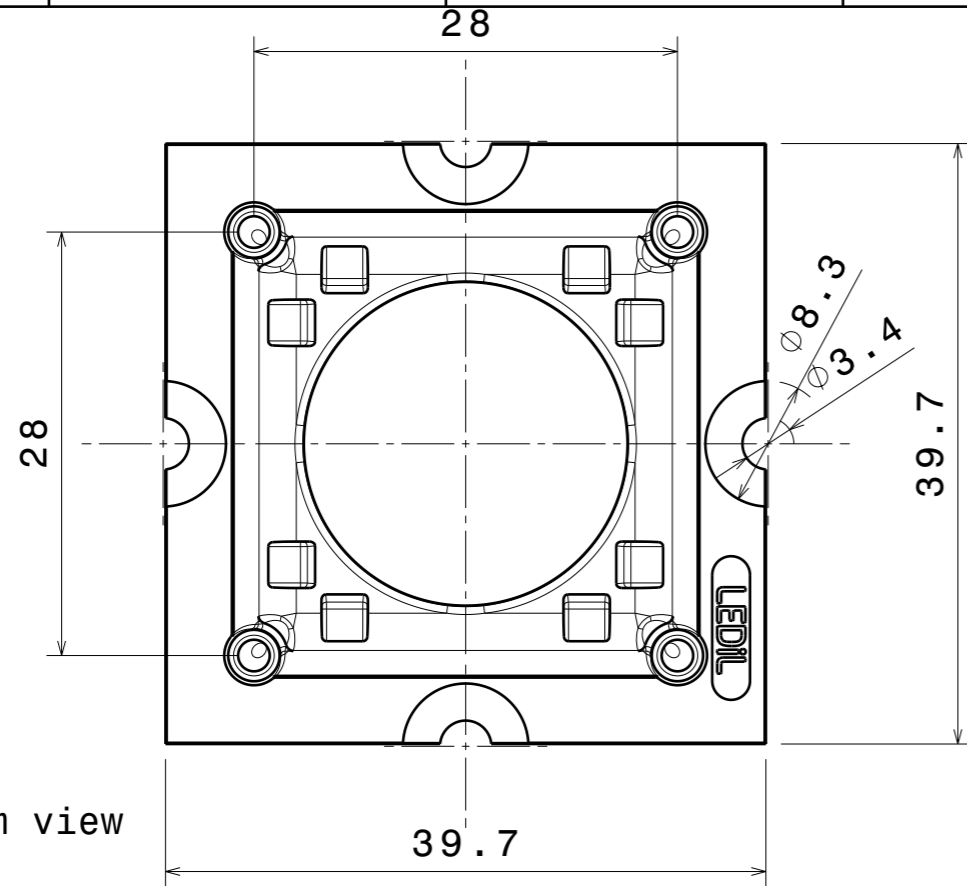
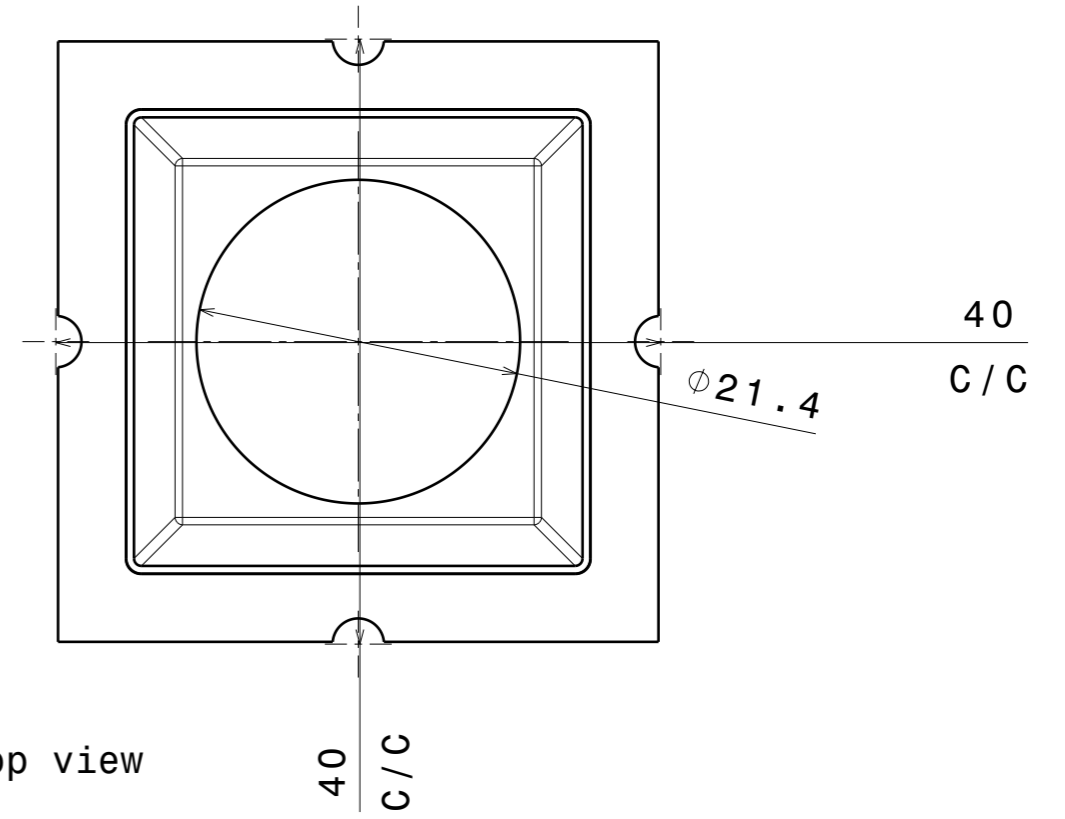


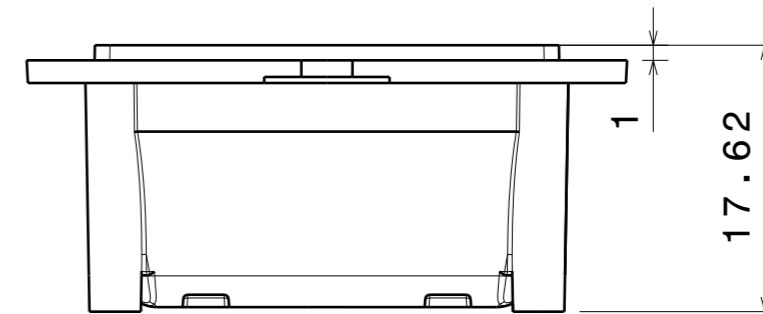
Bottom view



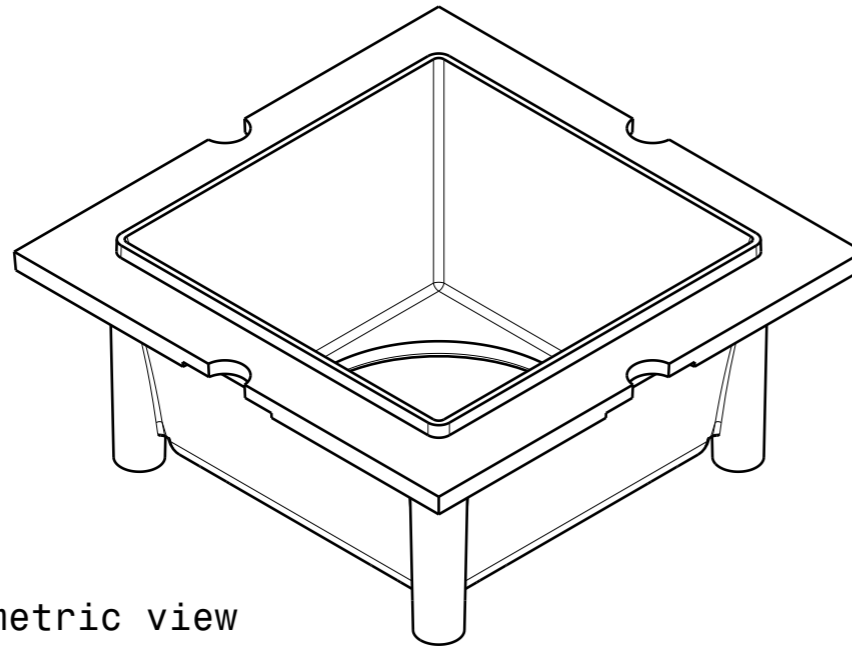
Top view



Front view



Isometric view



INDEX	PART NO	DESCRIPTION	MATERIAL	COLOUR
1	C15427	FLORENTINA-1-SHD-60	PC	black

Tolerances if not otherwise shown
 According to DIN ISO 2768-1
 Linear measures:
 Up to 30mm class F, otherwise class M.
 According to DIN ISO 2768-2
 Form and position: class K
 Control for SPC marked dimensions.



LediL Oy
 Salorankatu 10
 FIN 24240 SALO
 Finland

THIRD ANGLE PROJECTION:

DRAWING TITLE
C15427_FLORENTINA-1-SHD-60

This drawing is the property
 of LEDiL Oy. It may not be
 reproduced, copied or
 communicated without a written
 agreement with LEDiL Oy.

SIZE PART NUMBER
A3 C15427

SCALE 2:1 WEIGHT 4,675g SHEET 1/1