



ANATECH ELECTRONICS INC
RF & Microwave Filters & Products

750 MHz LC Band Pass Filter

Part Number: AE750B11624



Electrical Specifications

Center Frequency: 750 MHz
Bandwidth: 500 MHz Min.
Passband Insertion Loss: 1.2 dB Max.
Passband Return Loss : 12 dB Min.
Rejection1: $\geq 40\text{dB @ } 250\text{ MHz}$
Rejection2: $\geq 70\text{dB @ } 1402\text{-}2500\text{ MHz}$
Impedance: 50 ohms

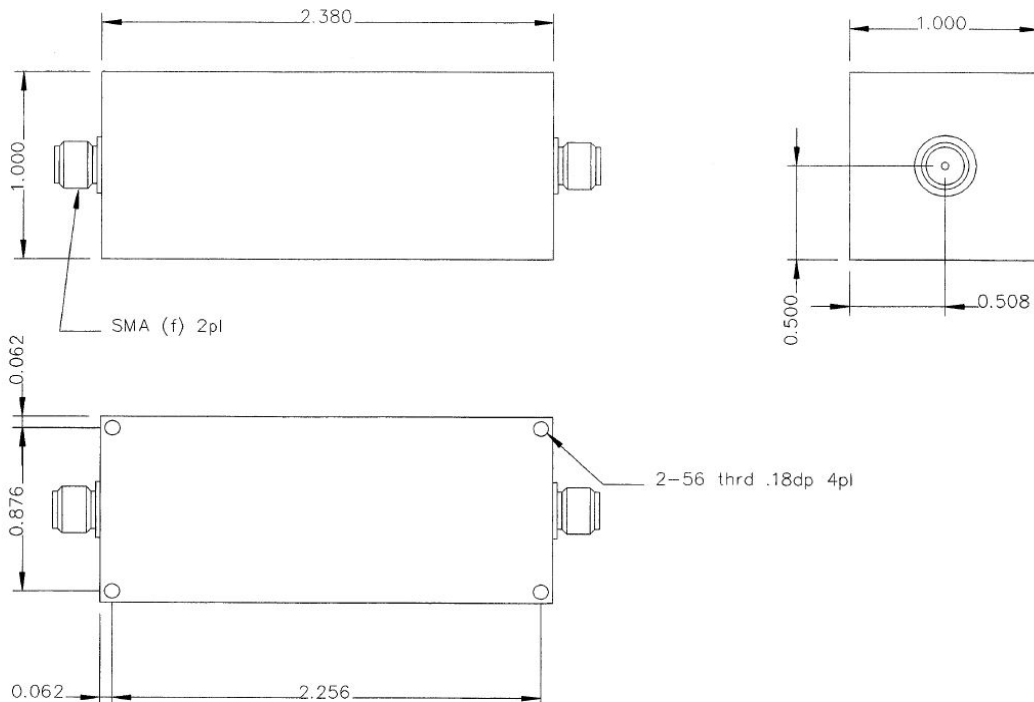
Mechanical

Mounting Method: 2-56 Threaded Holes
Connector Type: SMA(F)
Dimensions: 2.38" X 1.0" x 1.0"

Environmental

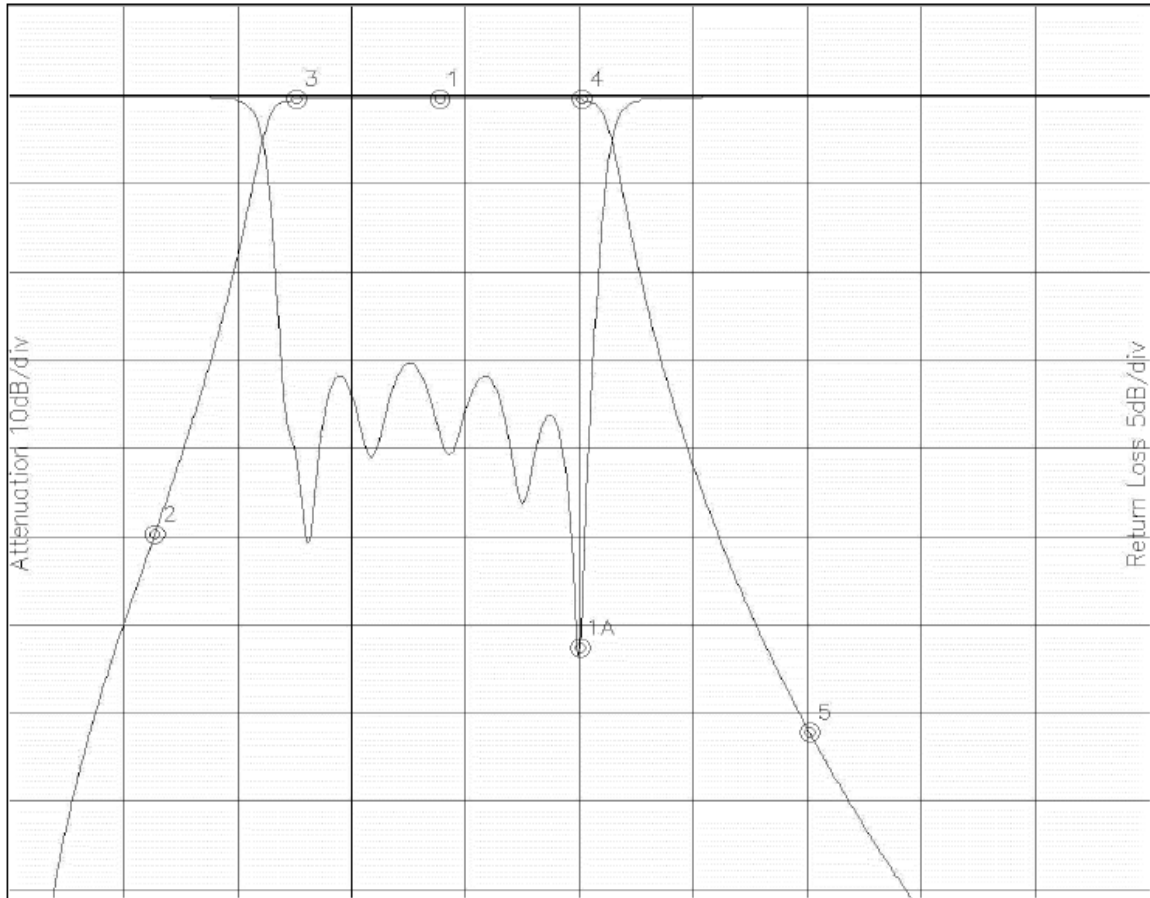
Operating Temperature: -25°C to $+70^{\circ}\text{C}$
Storage Temperature: -75°C to $+90^{\circ}\text{C}$
Shock: 10 G. 11ms
Vibration: 10 G. 5 to 200Hz

Outline Drawing:





Simulation Plot:



Attenuation Start: 0.20GHz Stop: 2.0GHz

Return Loss Start: 0.20GHz Stop: 2.0GHz

Marker 1 Freq 752.82MHz Atten -0.364dB

Marker 1A Freq 998.38MHz Ret Loss -31.242dB

Marker 2 Freq 252.01MHz Atten -49.463dB

Marker 3 Freq 500.80MHz Atten -0.512dB

Marker 4 Freq 1.002GHz Atten -0.538dB

Marker 5 Freq 1.402GHz Atten -72.035dB