



Electrical specifications

Passband: 5650-5835MHz
Insertion Loss: $\leq 0.8\text{dB}$ @ 5660-5825 MHz
Passband Return Loss: $\geq 18\text{dB}$
Rejection: $\geq 60\text{dB}$ @ 5590MHz
Power Handling: 30W
Input / Output Impedance: 50 Ohms

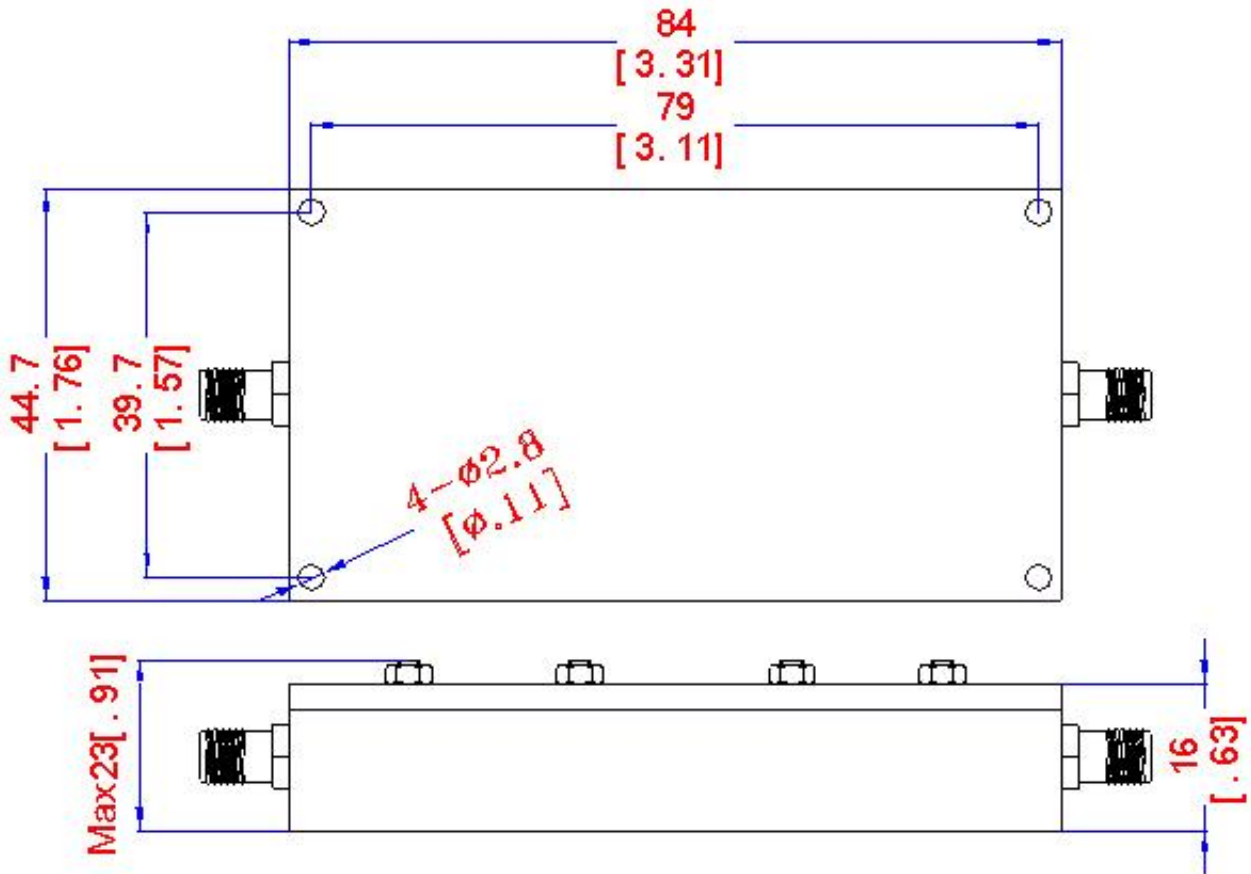
Mechanical

Connector Type: SMA (F)
Dimensions: 3.31 x 1.76 x .91 inches

Environmental

Operating Temperature: -45 to +85 deg. C
Storage temperature: -65 to +95 deg. C
Shock: 20 G's, $\frac{1}{2}$ sine, 11ms
Vibration: 10 G's, 10-2000Hz
Relative Humidity: 0-95%

Outline Drawing:





ANATECH ELECTRONICS INC
RF & Microwave Filters & Products

5650-5835 MHz Cavity Bandpass Filter

Part Number: AB5742B1167



Response Plot:

