

Würth Elektronik eiSos GmbH &amp; Co. KG

EMC &amp; Inductive Solutions

Max-Eyth-Straße 1 · 74638 Waldenburg · Germany

Tel. +49 (0) 79 42 945-0 · Fax +49 (0) 79 42 945-400

eiSos@we-online.de · www.we-online.de



## Product / Process Change Notification (PCN)

- Major change  
 Minor change

**PCN #:** PCN\_WL-SWTP\_20210701\_2

**Affected Series:** WL-SWTP; 1583022xx

**PCN Date:** April 01, 2021

**Effective Date:** July 01, 2021

### Change Category:

- Equipment / Location  
 General Data  
 Material  
 Process  
 Product Design  
 Shipping / Packaging  
 Supplier  
 Software

**Contact:** Product Management

**Phone:** +49 (0) 7942 - 945 5001

**Fax:** +49 (0) 7942 - 945 5179

**E-Mail:** pcn.eisos@we-online.com

### Data Sheet Change:

Yes  No

### Attachment:

Yes  No

### DESCRIPTION AND PURPOSE OF CHANGE:

To ensure an improved product assembly, Würth Elektronik will be updating the lead frame.

All products with date code 2021-05-15 or later, will be affected by this change.

There will be no change in function, quality or reliability of the product.

### DETAIL OF CHANGE:

The lead frame will be changed which changes details of the components form and component marking.

The old soldering pad can be used with the updated product.

The orientation of components in the reel does not change.

Electrical/optical parameters and reliability are not affected.

See technical drawing below for changes.

Würth Elektronik eiSos GmbH & Co. KG

EMC & Inductive Solutions

Max-Eyth-Straße 1 · 74638 Waldenburg · Germany

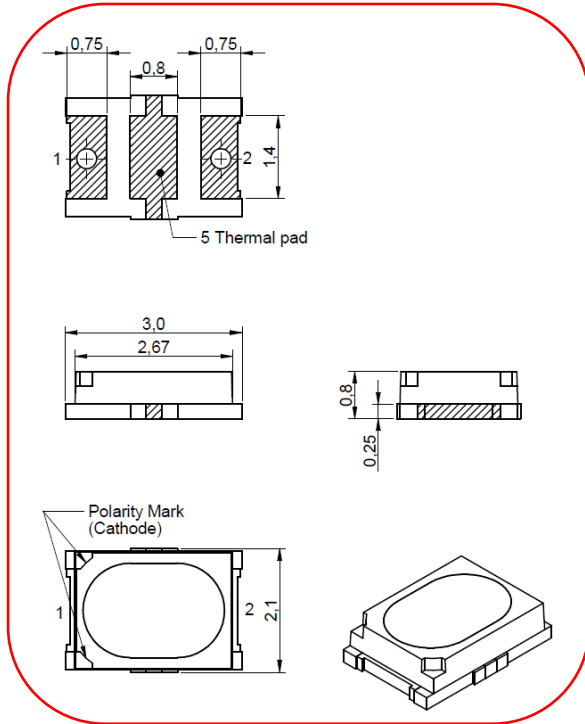
Tel. +49(0)79 42 945-0 · Fax +49(0)79 42 945-400

eiSos@we-online.de · www.we-online.de

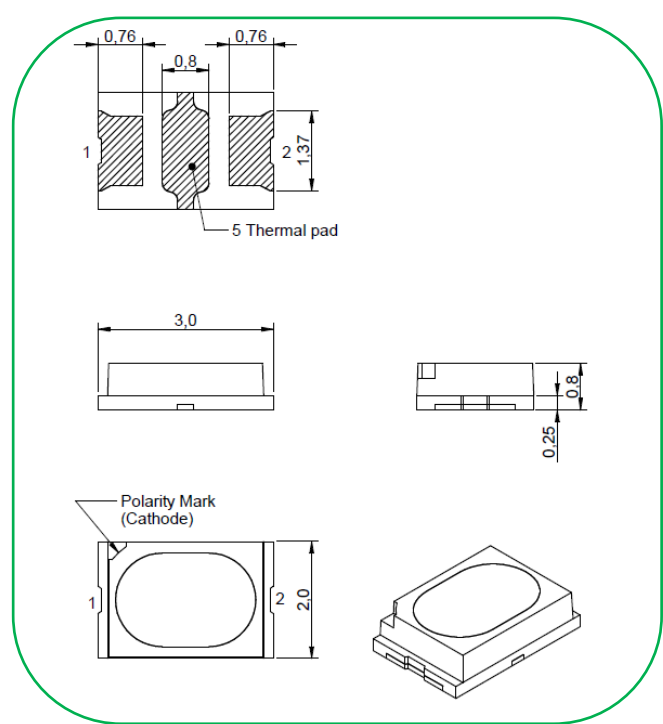


**TECHNICAL DRAWING:**

BEFORE CHANGE:



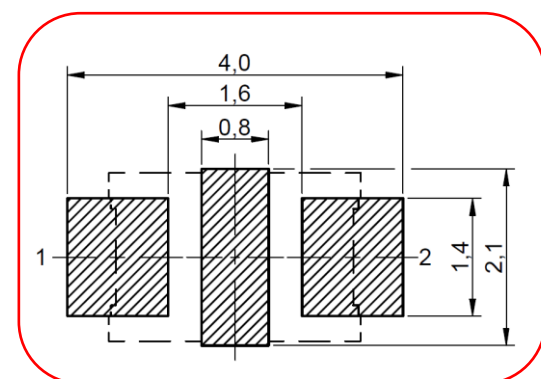
AFTER CHANGE:



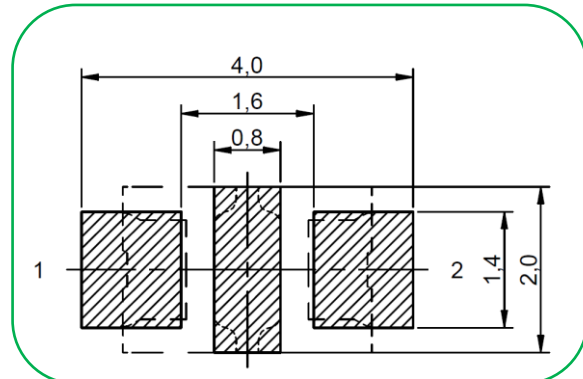
**SOLDERING PAD:**

No change in soldering pad, but drawings are updated.

BEFORE CHANGE:



AFTER CHANGE:



**RELIABILITY / QUALIFICATION SUMMARY:**

Product approval is according to the specification and is internally released by the Product Management Department.