



**pui
audio**™ inc
a projects unlimited company

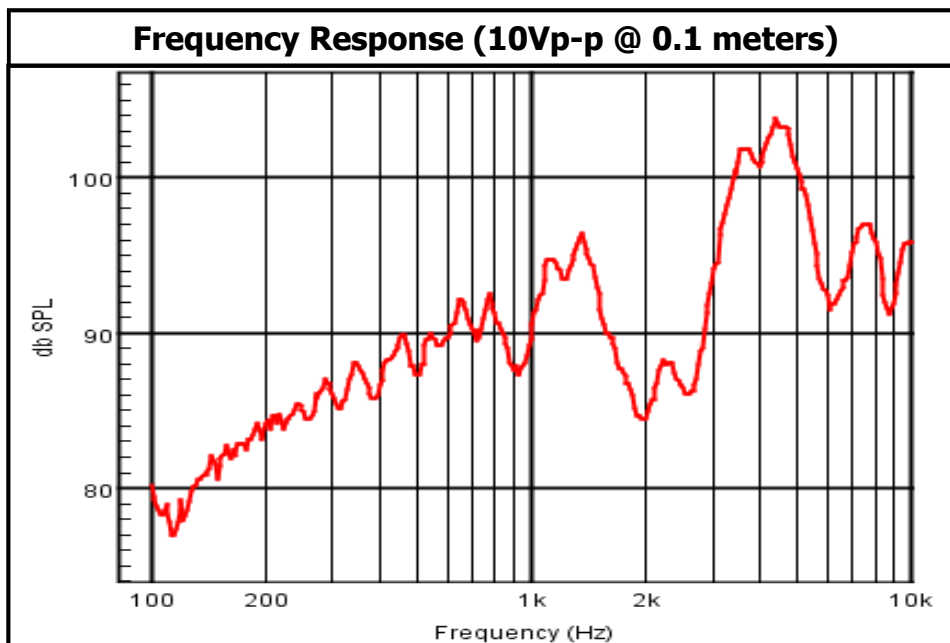
SMT-2240-TW-R 22mm Transducer



3541 Stop Eight Road • Dayton, Ohio 45414

Product Overview

- Top-firing piezo-electric transducer designed for 1 to 30 Vp-p
- 22.5 diameter footprint and 7mm height for thin, modern devices
- 90 dBA minimum output (10Vp-p @ 10 cm) and 4 kHz resonant frequency
- Designed for reflow soldering using a lead-free profile



RoHS Compliant





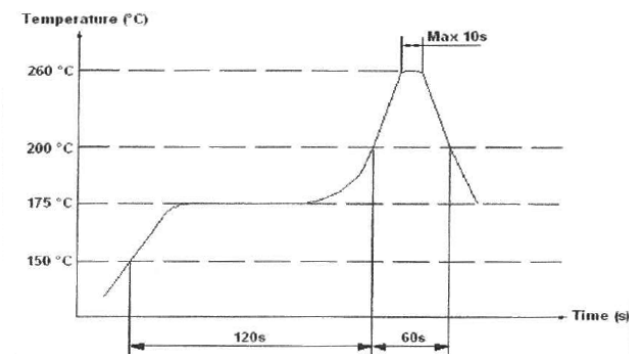
SMT-2240-TW-R 22mm Transducer

Mechanical and Environment Testing

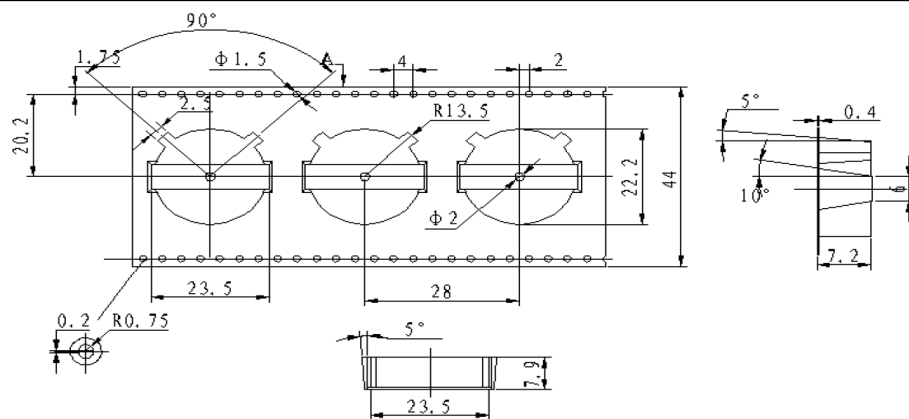
Test Description	Test Condition
High Temperature	80°C (±2°C) with random humidity for 96 hours
Low Temperature	-40°C (±2°C) with random humidity for 96 hours
Humidity	25°C to 85°C with 80% to 98% relative humidity for 12 hours, 10 cycles
Vibration	1.53 mm movement modulated at 10-55 Hz in 3 directions for 2 hours
Drop Test	75 cm free fall in three directions, 3 cycles each
Temperature Cycle Test	-40°C to 85°C, ten 60 minute cycles

After testing, part shall rest for two hours and then be tested for a clean, pure tone.

Recommended Reflow Profile



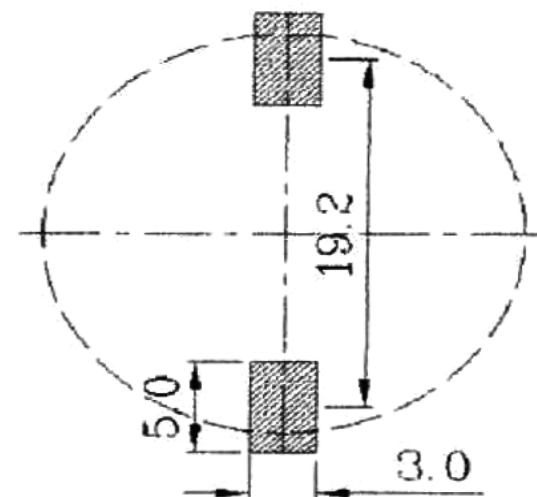
Tape Dimensions



NOTE:

- 1.10 sprocket hole pitch cumulative tolerance +/-0.2mm.
- 2.All dimensions meet EIA-481-D requirements.
- 3.Thickness: 0.4+/-0.05mm.
- 4.Component loaded per 13" reel: 300pcs.

Recommended Land Pattern



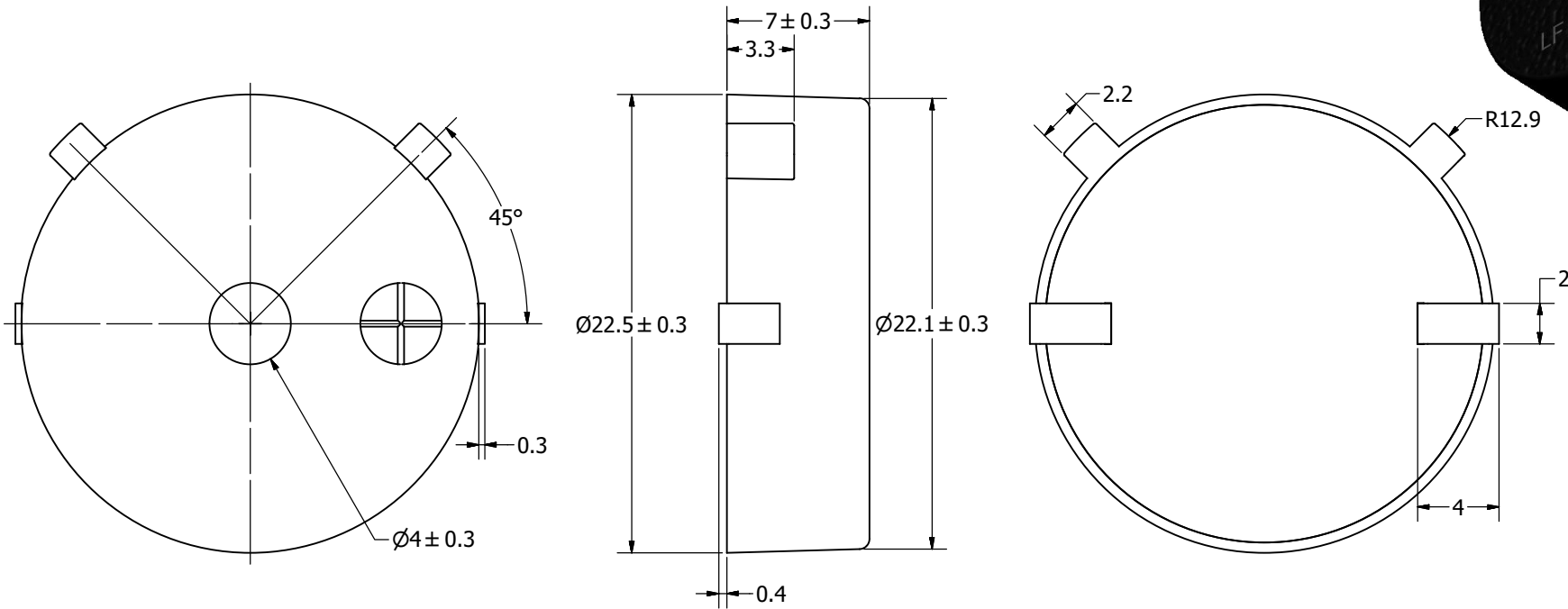
SPECIFICATIONS

PARAMETERS	VALUES	UNITS
RATED VOLTAGE	10	Vp-p
OPERATING VOLTAGE RANGE	1 ~ 30	Vp-p
RATED CURRENT (MAX)	3	mA
CAPACITANCE	19,000 ± 30%	pF
MINIMUM SPL @ 10 CM	90	dB
RESONANT FREQUENCY	4,000 ± 500	Hz
OPERATING TEMPERATURE	-20 ~ +70	°C
STORAGE TEMPERATURE	-30 ~ +80	°C
HOUSING MATERIAL	PPS	-
TERMINAL MATERIAL	Sn PLATED COPPER	-
WEIGHT	3	grams

THIS DOCUMENT CONTAINS DATA PROPRIETARY TO PROJECTS UNLIMITED, INC. ANY USE OR REPRODUCTION, IN ANY FORM, WITHOUT PRIOR WRITTEN PERMISSION OF PROJECTS UNLIMITED, INC. IS PROHIBITED.
©2003, Projects Unlimited Inc.

REVISION HISTORY

LTR	DESCRIPTION	DATE	APPROVED
-	RELEASED FROM ENGINEERING	12/5/2005	
A	REVISED CAPACITANCE	11/4/2009	B.R.
B	REVISED TO INVENTOR 3-D DRAWING TEMPLATE	5/12/2010	B.R.



NOTES:

1. ALL DIMENSIONS ARE IN MILLIMETERS.
2. SPECIFICATIONS SUBJECT TO CHANGE OR WITHDRAWL WITHOUT NOTICE.
3. THIS PART IS RoHS 2011/65/EU COMPLIANT.

UNLESS OTHERWISE SPECIFIED: DIMENSIONS ARE IN MILLIMETERS, TOLERANCES ARE ±0.5 AND ANGLES ARE ±3°.	SIZE	Designed by	Date	Checked by	Date	Approved by	Date	Drawn Date	
	A3	J.A.F.	12/5/2005	B.R.	12/5/2005	E.P.	12/5/2005	5/12/2010	
SMT-2240-TW-R.idw			SMT-2240-TW-R			Transducer (Piezo)		Edition	Sheet
						-		1 / 1	