

# NCN7200

## Data Switch, Gigabit Ethernet LAN, with 2:1 Mux/ DeMux and Power-Down Feature

The NCN7200 is pin-compatible to the PI3L720ZHE and comes in a 42-pin WQFN package (3.5 mm x 9 mm x 0.5 mm Pitch). The NCN7200 is an 8-channel, bidirectional switch with a power shutdown feature that puts all outputs in a high-impedance state. The switch is compatible with 10/100/1000 Base-T Ethernet standards. The device has 3 additional lines for status indicator LEDs which are switched together with the Ethernet pairs.

### Features

- 2:1 Mux/ DeMux LAN Switch
- Three Extra Channels Facilitate LED Switching
- Fully Specified for Power Supply Range: 3 V to 3.6 V
- Powerdown Feature Conserves Energy
- ESD Protection
  - ◆ 8 kV HBM (Human Body Model, I/O to GND)
  - ◆ 10 kV Contact Discharge (IEC61000-4-2)
- Low Crosstalk: -70 dB
- Pin-to-Pin Replacement for PI3L720ZHE
- This is a Pb-Free Device

### Typical Applications

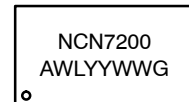
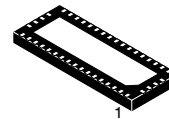
- Routes signals for 10/100/1000 Mbps Ethernet
- Facilitates Docking System by Interfacing One Controller to Dual Connectors



ON Semiconductor®

<http://onsemi.com>

### MARKING DIAGRAM



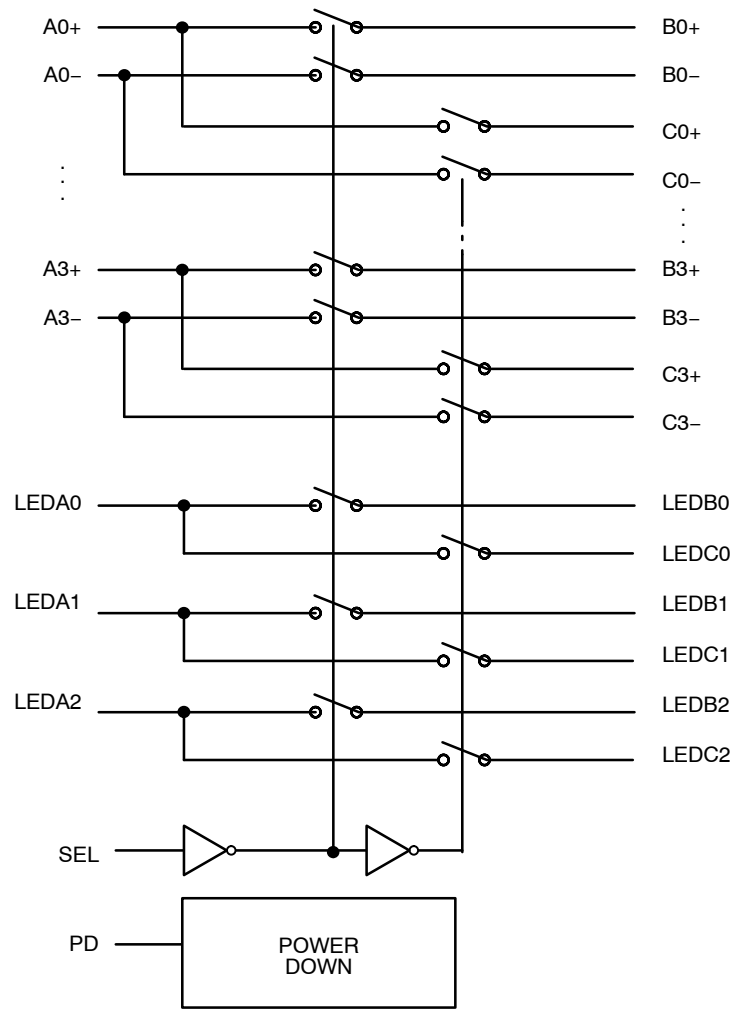
WQFN42  
CASE 510AP

A = Assembly Location  
WL = Wafer Lot  
YY = Year  
WW = Work Week  
G = Pb-Free Package

### ORDERING INFORMATION

See detailed ordering and shipping information in the package dimensions section on page 9 of this data sheet.

# NCN7200

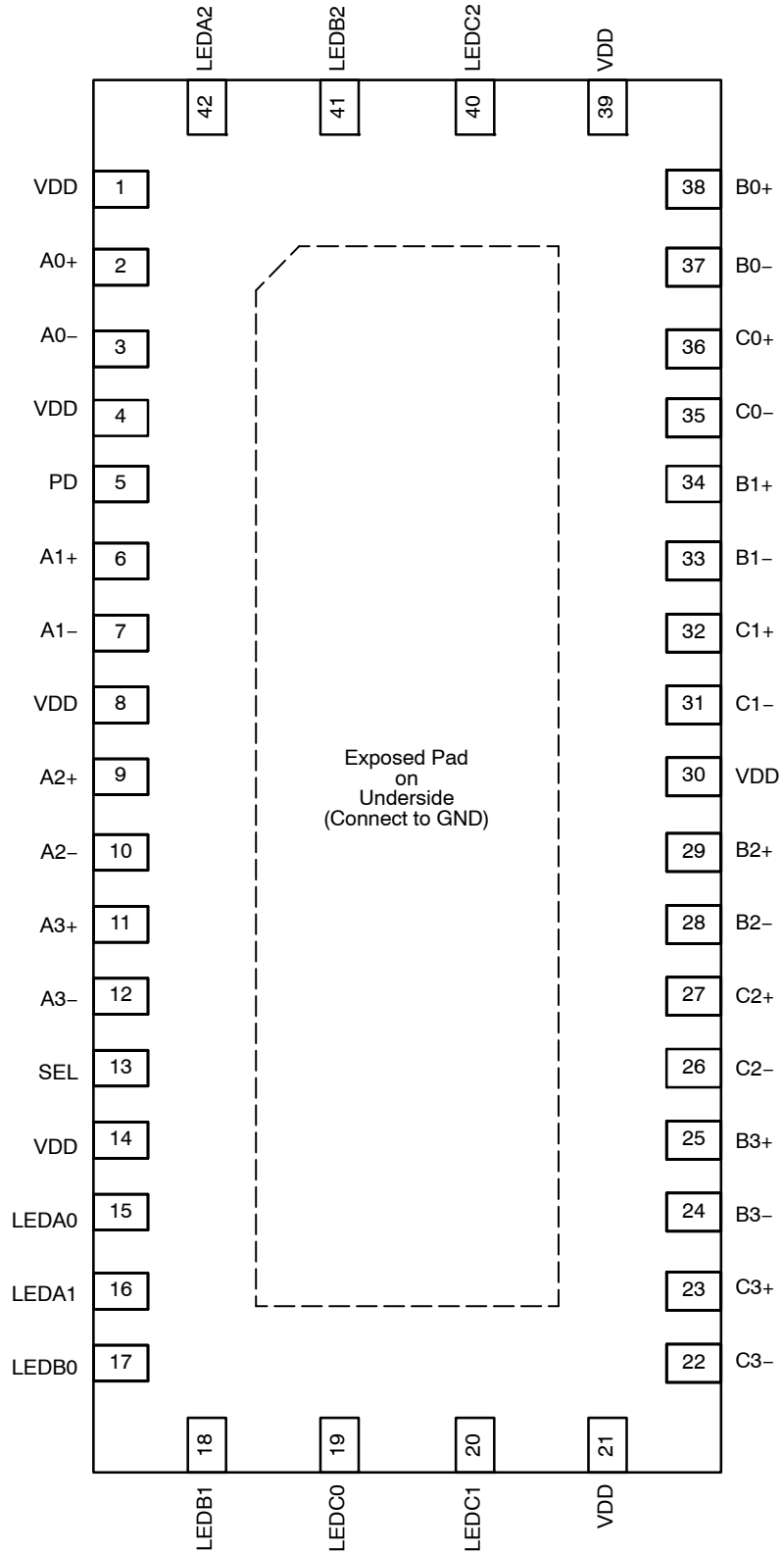


**Figure 1. Detailed Block Diagram**

## TRUTH TABLE

PD	SEL	Function
L	L	AX to BX; LEDAX to LEDBX
L	H	AX to CX; LEDAX to LEDCX
H	X	Hi-Z

# NCN7200



**Figure 2. Pin Description  
(Top View)**

# NCN7200

## PIN DESCRIPTION

Pin Name	Description
AX+, AX-	Port A DeMux I/O
BX+, BX-	Port B Mux I/O
CX+, CX-	Port C LED Mux I/O
GND	Ground
LEDZX	LED I/O
PD	Powerdown, Active high, with internal pulldown resistor
SEL	Select
V <sub>DD</sub>	Power

## MAXIMUM RATINGS

Description	Value	Unit
Storage Temperature	-65 to +150	°C
Supply Voltage to Ground Potential	-0.5 to +4.0	V
DC Input Voltage	-0.5 to +5.5	V
DC Output Current (Note 1)	120	mA
Power Dissipation (Note 1)	0.5	W

Stresses exceeding Maximum Ratings may damage the device. Maximum Ratings are stress ratings only. Functional operation above the Recommended Operating Conditions is not implied. Extended exposure to stresses above the Recommended Operating Conditions may affect device reliability.

1. Continuous short-circuit operation to ground at elevated ambient temperature can result in exceeding the maximum allowed junction temperature of 150°C. Output currents in excess of 45 mA over long term may adversely affect reliability. Shorting output to either V+ or V- will adversely affect reliability.

## GIGABIT ETHERNET LAN SWITCH WITH 2:1 MUX/ DEMUX AND POWER DOWN FEATURE

(Min / Max values are at V<sub>DD</sub> = 3.3 V ±10%, T<sub>A</sub> = -40°C to +85°C. Typ values are at V<sub>DD</sub> = 3.3 V and T<sub>A</sub> = 25°C)

Symbol	Description	Test Conditions	Min	Typ	Max	Unit
--------	-------------	-----------------	-----	-----	-----	------

### POWER SUPPLY CHARACTERISTICS (Note 2)

V <sub>DD</sub>	Power DC Supply Voltage		3.0	3.3	3.6	V
I <sub>DD-Standby</sub>	Quiescent Power Supply Current	V <sub>DD</sub> = 3.6 V, V <sub>IN</sub> = GND or V <sub>DD</sub>		0.38	0.45	mA
I <sub>DD-Active</sub>	Active Power Supply Current	V <sub>DD</sub> = 3.6 V, V <sub>IN</sub> = V <sub>DD</sub> or GND		1.0	1.5	mA
I <sub>DD-PD</sub>	Power Down Current	P <sub>D</sub> = 1, V <sub>DD</sub> = 3.6 V, V <sub>IN</sub> = V <sub>DD</sub> or GND		0.13	0.16	mA

2. Active power represents normal data communication. Standby power is when the device is enabled for operation but there is no LAN traffic (cable not connected). Power down current is the minimum power state used when not connected and mobile.
3. Measured by the voltage drop between A and B pins at indicated current through the switch. ON resistance is determined by the lower of the voltages on the two (A & B) pins.
4. Guaranteed by design and/or characterization.
5. The bus switch contributes no propagational delay other than the RC delay of the ON resistance of the switch and the load capacitance. The time constant for the switch alone is of the order of 0.25 ns for 10 pF load. Since this time constant is much smaller than the rise/fall times of typical driving signals, it adds very little propagational delay to the system. Propagational delay of the bus switch when used in a system is determined by the driving circuit on the driving side of the switch and its interactions with the load on the driven side.

# NCN7200

## GIGABIT ETHERNET LAN SWITCH WITH 2:1 MUX/ DEMUX AND POWER DOWN FEATURE

(Min / Max values are at  $V_{DD} = 3.3\text{ V} \pm 10\%$ ,  $T_A = -40^\circ\text{C}$  to  $+85^\circ\text{C}$ . Typ values are at  $V_{DD} = 3.3\text{ V}$  and  $T_A = 25^\circ\text{C}$ )

Symbol	Description	Test Conditions	Min	Typ	Max	Unit
--------	-------------	-----------------	-----	-----	-----	------

### CONTROL LOGIC (SEL AND PD PINS) DC ELECTRICAL CHARACTERISTICS FOR 1000 BASE-T ETHERNET SWITCHING

$V_{IH}$	Input HIGH Voltage	Guaranteed HIGH level	2.0			V
$V_{IL}$	Input LOW Voltage	Guaranteed LOW level	-0.5		0.8	
$V_{IK}$	Clamp Diode Voltage	$V_{DD} = \text{Max}, I_{IN} = -18\text{ mA}$		-0.7	-1.0	
$I_{IHSEL}$	Input HIGH Current (SEL)	$V_{DD} = \text{Max}, V_{IN} = V_{DD}$			$\pm 0.1$	$\mu\text{A}$
$I_{IHPD}$	Input High Current (PD)	$V_{DD} = \text{Max}, V_{IN} = V_{DD}$			$\pm 1.2$	
$I_{IL}$	Input LOW Current	$V_{DD} = \text{Max}, V_{IN} = \text{GND}$			$\pm 0.1$	
$I_{OFF}$	Off-Leakage Current (SEL)	$V_{DD} = 0\text{ V}, V_{IN} = 0\text{ V to } V_{DD}$			$\pm 0.1$	

### DATA PATH (AX TO BX, CX PINS) DC ELECTRICAL CHARACTERISTICS FOR 1000 BASE-T ETHERNET SWITCHING

$R_{ON}$	Switch On-Resistance (Note 3)	$V_{DD} = \text{Min}, 1.5\text{ V} < V_{IN} < V_{DD}, I_{TN} = -40\text{ mA}$		2.0	6.0	$\Omega$
$R_{FLAT(ON)}$	On-Resistance Flatness (Note 3)	$V_{DD} = \text{Min}, V_{IN} @ 1.5\text{ V and } V_{DD}, I_{TN} = -40\text{ mA}$		0.3		
$\Delta R_{ON}$	On-Resistance match from center ports to any other port (Note 3)	$V_{DD} = \text{Min}, 1.5\text{ V} < V_{IN} < V_{DD}, I_{TN} = -40\text{ mA}$		0.5	1.0	
$I_{ON}$	On Leakage Current (AX)	$V_{DD} = 3.6\text{ V}, V_{AX} = 0\text{ V or } V_{DD}, V_{OUT} = \text{Float}$	-0.1		+0.1	$\mu\text{A}$
$I_{OFF}$	Off Leakage Current (AX/BX/CX)	$V_{DD} = 3.6\text{ V}, V_{IN} = 0\text{ V or } V_{DD}, V_{OUT} = V_{DD} \text{ or } 0\text{ V}$	-0.1		+0.1	$\mu\text{A}$

### DATA PATH (LEDAX TO LEDBX, LEDCX PINS) DC ELECTRICAL CHARACTERISTICS FOR 1000 BASE-T ETHERNET SWITCHING

$R_{ON}$	Switch On-Resistance (Note 3)	$V_{DD} = \text{Min}, 1.5\text{ V} < V_{IN} < V_{DD}, I_{TN} = -40\text{ mA}$		7.0	16	$\Omega$
$R_{FLAT(ON)}$	On-Resistance Flatness (Note 3)	$V_{DD} = \text{Min}, V_{IN} @ 1.5\text{ V and } V_{DD}, I_{TN} = -40\text{ mA}$		0.3		
$\Delta R_{ON}$	On-Resistance match from center ports to any other port (Note 3)	$V_{DD} = \text{Min}, 1.5\text{ V} < V_{IN} < V_{DD}, I_{TN} = -40\text{ mA}$		0.8	1.25	
$I_{ON}$	On Leakage Current (LEDAX)	$V_{DD} = 3.6\text{ V}, V_{AX} = 0\text{ V or } V_{DD}, V_{OUT} = \text{Float}$	-0.1		+0.1	$\mu\text{A}$
$I_{OFF}$	Off Leakage Current (LEDAX/LEDBX/LEDCX)	$V_{DD} = 3.6\text{ V}, V_{IN} = 0\text{ V or } V_{DD}, V_{OUT} = V_{DD} \text{ or } 0\text{ V}$	-0.1		+0.1	$\mu\text{A}$

### CONTROL LOGIC (SEL AND PD PINS) DC ELECTRICAL CHARACTERISTICS FOR 10/100 BASE-T ETHERNET SWITCHING

$V_{IH}$	Input HIGH Voltage	Guaranteed HIGH level (Control Pins)	2.0			V
$V_{IL}$	Input LOW Voltage	Guaranteed LOW level (Control Pins)	-0.5		0.8	
$V_{IK}$	Clamp Diode Voltage	$V_{DD} = \text{Max}, I_{IN} = -18\text{ mA}$		-0.7	-1.0	
$I_{IHSEL}$	Input HIGH Current (SEL)	$V_{DD} = \text{Max}, V_{IN} = V_{DD}$			$\pm 0.1$	$\mu\text{A}$
$I_{IHPD}$	Input HIGH Current (PD)	$V_{DD} = \text{Max}, V_{IN} = V_{DD}$			$\pm 1.2$	
$I_{IL}$	Input LOW Current	$V_{DD} = \text{Max}, V_{IN} = \text{GND}$			$\pm 0.1$	
$I_{OFF}$	Off-Leakage Current (SEL)	$V_{DD} = 0\text{ V}, V_{IN} = 0\text{ V to } V_{DD}$			$\pm 0.1$	

- Active power represents normal data communication. Standby power is when the device is enabled for operation but there is no LAN traffic (cable not connected). Power down current is the minimum power state used when not connected and mobile.
- Measured by the voltage drop between A and B pins at indicated current through the switch. ON resistance is determined by the lower of the voltages on the two (A & B) pins.
- Guaranteed by design and/or characterization.
- The bus switch contributes no propagational delay other than the RC delay of the ON resistance of the switch and the load capacitance. The time constant for the switch alone is of the order of 0.25 ns for 10 pF load. Since this time constant is much smaller than the rise/fall times of typical driving signals, it adds very little propagational delay to the system. Propagational delay of the bus switch when used in a system is determined by the driving circuit on the driving side of the switch and its interactions with the load on the driven side.

# NCN7200

## GIGABIT ETHERNET LAN SWITCH WITH 2:1 MUX/ DEMUX AND POWER DOWN FEATURE

(Min / Max values are at  $V_{DD} = 3.3 \text{ V} \pm 10\%$ ,  $T_A = -40^\circ\text{C}$  to  $+85^\circ\text{C}$ . Typ values are at  $V_{DD} = 3.3 \text{ V}$  and  $T_A = 25^\circ\text{C}$ )

Symbol	Description	Test Conditions	Min	Typ	Max	Unit
<b>DATA PATH (AX TO BX, CX PINS) DC ELECTRICAL CHARACTERISTICS FOR 10/100 BASE-T ETHERNET SWITCHING</b>						
$R_{ON}$	Switch On-Resistance (Note 3)	$V_{DD} = \text{Min}, 1.25 \text{ V} < V_{IN} < V_{DD}, I_{TN} = -10 \text{ mA}$ to $-30 \text{ mA}$		2.0	6.0	$\Omega$
$R_{FLAT(ON)}$	On-Resistance Flatness (Note 3)	$V_{DD} = \text{Min}, 1.25 \text{ V} < V_{IN} < V_{DD}, I_{TN} = -10 \text{ mA}$ to $-30 \text{ mA}$		0.8		
$\Delta R_{ON}$	On-Resistance match from center ports to any other port (Note 3)	$V_{DD} = \text{Min}, 1.25 \text{ V} < V_{IN} < V_{DD}, I_{TN} = -10 \text{ mA}$ to $-30 \text{ mA}$		0.8	1.3	
$I_{ON}$	On Leakage Current (AX)	$V_{DD} = 3.6 \text{ V}, V_{AX} = 0 \text{ V}$ or $V_{DD}, V_{OUT} = \text{Float}$	-0.1		+0.1	$\mu\text{A}$
$I_{OFF}$	Off Leakage Current (AX/BX/CX)	$V_{DD} = 3.6 \text{ V}, V_{IN} = 0 \text{ V}$ or $V_{DD}, V_{OUT} = V_{DD}$ or $0 \text{ V}$	-0.1		+0.1	$\mu\text{A}$

## DATA PATH (LEDAX TO LEDBX, LEDCX PINS) DC ELECTRICAL CHARACTERISTICS FOR 10/100 BASE-T ETHERNET SWITCHING

$R_{ON}$	Switch On-Resistance (Note 3)	$V_{DD} = \text{Min}, 1.25 \text{ V} < V_{IN} < V_{DD}, I_{TN} = -10 \text{ mA}$ to $-30 \text{ mA}$		7.0	16	$\Omega$
$R_{FLAT(ON)}$	On-Resistance Flatness (Note 3)	$V_{DD} = \text{Min}, 1.25 \text{ V} < V_{IN} < V_{DD}, I_{TN} = -10 \text{ mA}$ to $-30 \text{ mA}$		0.3		
$\Delta R_{ON}$	On-Resistance match from center ports to any other port (Note 3)	$V_{DD} = \text{Min}, 1.25 \text{ V} < V_{IN} < V_{DD}, I_{TN} = -10 \text{ mA}$ to $-30 \text{ mA}$		0.8	1.25	
$I_{ON}$	On Leakage Current (LEDAX)	$V_{DD} = 3.6 \text{ V}, V_{AX} = 0 \text{ V}$ or $V_{DD}, V_{OUT} = \text{Float}$	-0.1		+0.1	$\mu\text{A}$
$I_{OFF}$	Off Leakage Current (LEDAX/LEDBX/LEDCX)	$V_{DD} = 3.6 \text{ V}, V_{IN} = 0 \text{ V}$ or $V_{DD}, V_{OUT} = V_{DD}$ or $0 \text{ V}$	-0.1		+0.1	$\mu\text{A}$

## CAPACITANCE (AX TO BX, CX AND LEDAX TO LEDBX, LEDCX PINS) (Note 4)

$C_{IN}$	Input Capacitance	$V_{IN} = 0 \text{ V}, f = 1 \text{ MHz}$		3.0	4.0	$\text{pF}$
$C_{OFF(B1, B2)}$	Port B Capacitance, Switch OFF			5.0	7.0	
$C_{ON(A/B)}$	A/B Capacitance, Switch ON			10.5	12	

## DYNAMIC ELECTRICAL CHARACTERISTICS (AX TO BX AND LEDAX TO LEDBX PINS) (Note 5)

BW	Bandwidth -3 dB	$R_L = 100 \Omega$ (Figure 3)		750		MHz
$O_{IRR}$	OFF Isolation	$R_L = 100 \Omega, f = 250 \text{ MHz}$ (Figure 7)		-30		dB
XTALK	Crosstalk	$R_L = 100 \Omega, f = 250 \text{ MHz}$ (Figure 8)		-70		

## SWITCHING CHARACTERISTICS (AX TO BX AND LEDAX TO LEDBX PINS) (Notes 4 and 5)

$t_{PD}$	Propagation Delay (Figure 4)		0.3		ns
$t_{PZH}, t_{PZL}$	Line Enable Time - SEL to AN, BN (Figure 4)		0.5	15	
$t_{PHZ}, t_{PLZ}$	Line Disable Time - SEL to AN, BN (Figure 4)		0.5	25	
$t_{SK(o)}$	Output Skew between center port to any other port		0.1	0.2	
$t_{SK(p)}$	Skew between opposite transitions of the same output ( $t_{Hil}, - t_{PLH}$ )		0.1	0.2	

- Active power represents normal data communication. Standby power is when the device is enabled for operation but there is no LAN traffic (cable not connected). Power down current is the minimum power state used when not connected and mobile.
- Measured by the voltage drop between A and B pins at indicated current through the switch. ON resistance is determined by the lower of the voltages on the two (A & B) pins.
- Guaranteed by design and/or characterization.
- The bus switch contributes no propagational delay other than the RC delay of the ON resistance of the switch and the load capacitance. The time constant for the switch alone is of the order of 0.25 ns for 10 pF load. Since this time constant is much smaller than the rise/fall times of typical driving signals, it adds very little propagational delay to the system. Propagational delay of the bus switch when used in a system is determined by the driving circuit on the driving side of the switch and its interactions with the load on the driven side.

# NCN7200

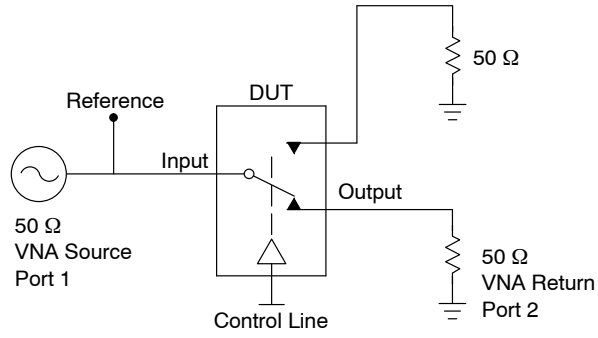


Figure 3. Bandwidth

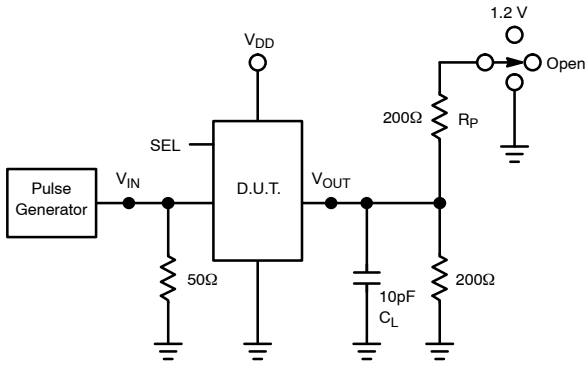


Figure 4. Three-State and  $t_{pd}$  Test Setup

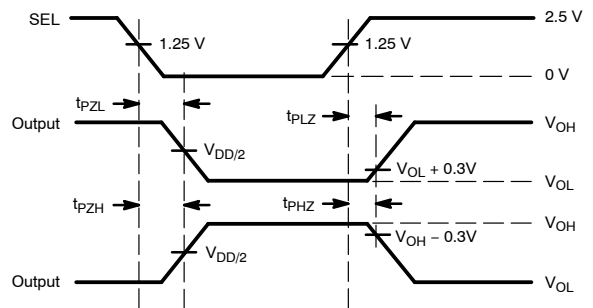


Figure 5. Three-State Timing Diagram

## SWITCH POSITIONS

Test	Switch
$t_{PLZ}$ , $t_{PZL}$ (Output on B-Side)	1.2 V
$t_{PHZ}$ , $t_{PZH}$ (Output on B-Side)	GND
$t_{PD}$	OPEN

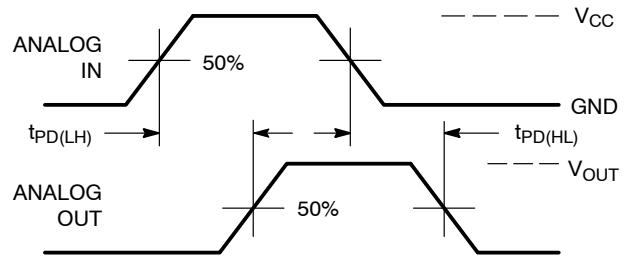
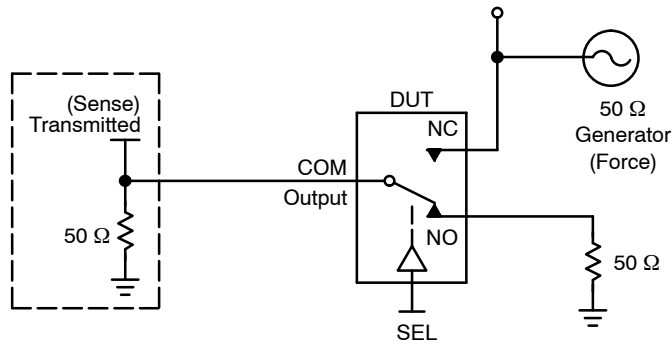
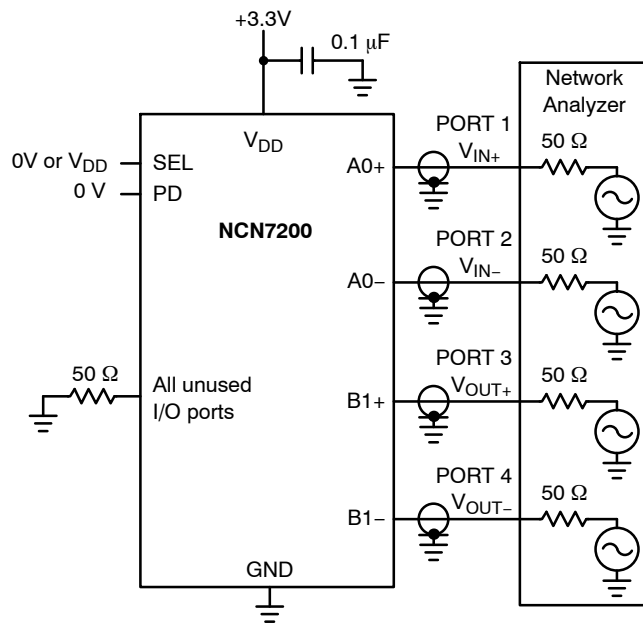


Figure 6. Propagation Delay

# NCN7200



**Figure 7. Off-Isolation**



$$\text{Differential Crosstalk} = 20\log\left(\frac{V_{\text{OUT}+} - V_{\text{OUT}-}}{V_{\text{IN}+} - V_{\text{IN}-}}\right)$$

Measurements are standardized against shorts at IC terminals.  
Differential Crosstalk is measured between any two non-adjacent pairs.

**Figure 8. Differential Crosstalk**



# NCN7200

## APPLICATION INFORMATION

### Logic Inputs

The logic control inputs can be driven up to +3.6 V regardless of the supply voltage. For example, given a +3.3 V supply, the output enables or select pins may be driven low to 0 V and high to 3.6 V: driving the control pins to the rails minimizes power consumption.

### Power-Supply Sequencing

Proper power-supply sequencing is advised for all CMOS devices. It is recommended to always apply  $V_{DD}$  before applying signals to the input/output or control pins.

## ORDERING INFORMATION

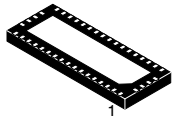
Device	Package	Shipping†
NCN7200MTTWG	WQFN42 (Pb-Free)	2000 / Tape & Reel

†For information on tape and reel specifications, including part orientation and tape sizes, please refer to our Tape and Reel Packaging Specifications Brochure, BRD8011/D.

# MECHANICAL CASE OUTLINE

## PACKAGE DIMENSIONS

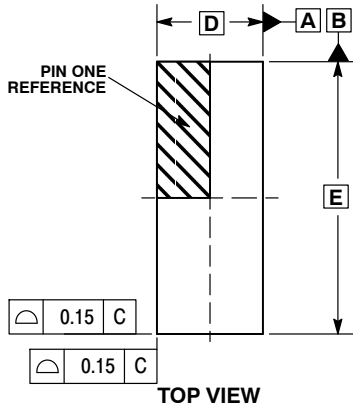
ON Semiconductor®



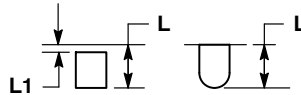
SCALE 2:1

WQFN42 3.5x9, 0.5P  
CASE 510AP-01  
ISSUE O

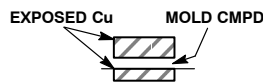
DATE 15 FEB 2010



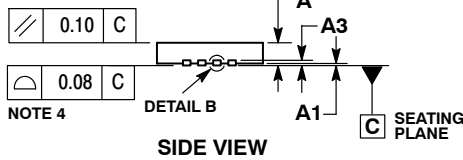
TOP VIEW



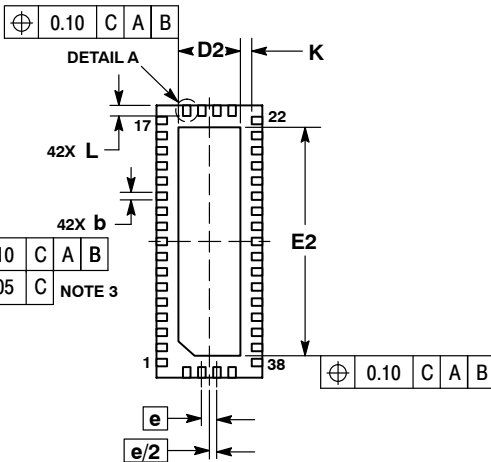
DETAIL A  
ALTERNATE TERMINAL  
CONSTRUCTIONS



DETAIL B  
ALTERNATE  
CONSTRUCTION



SIDE VIEW



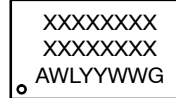
BOTTOM VIEW

NOTES:

1. DIMENSIONING AND TOLERANCING PER ASME Y14.5M, 1994.
2. CONTROLLING DIMENSION: MILLIMETERS.
3. DIMENSION b APPLIES TO PLATED TERMINAL AND IS MEASURED BETWEEN 0.15 AND 0.30 MM FROM TERMINAL TIP.
4. COPLANARITY APPLIES TO THE EXPOSED PAD AS WELL AS THE TERMINALS.

DIM	MILLIMETERS	
	MIN	MAX
A	0.70	0.80
A1	0.00	0.05
A3	0.20 REF	
b	0.20	0.30
D	3.50 BSC	
D2	1.95	2.15
E	9.00 BSC	
E2	7.45	7.65
e	0.50 BSC	
K	0.20	---
L	0.30	0.50
L1	0.00	0.15

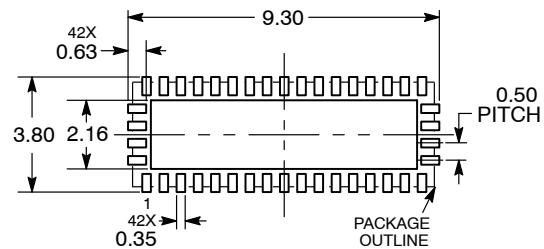
GENERIC  
MARKING DIAGRAM\*



- XXXXX = Specific Device Code
- A = Assembly Location
- WL = Wafer Lot
- YY = Year
- WW = Work Week
- G = Pb-Free Package

\*This information is generic. Please refer to device data sheet for actual part marking. Pb-Free indicator, "G", may or not be present.

RECOMMENDED  
MOUNTING FOOTPRINT



DIMENSIONS: MILLIMETERS

DOCUMENT NUMBER:	98AON48316E	Electronic versions are uncontrolled except when accessed directly from the Document Repository. Printed versions are uncontrolled except when stamped "CONTROLLED COPY" in red.
DESCRIPTION:	WQFN42 3.5X9, 0.5P	PAGE 1 OF 1

ON Semiconductor and are trademarks of Semiconductor Components Industries, LLC dba ON Semiconductor or its subsidiaries in the United States and/or other countries. ON Semiconductor reserves the right to make changes without further notice to any products herein. ON Semiconductor makes no warranty, representation or guarantee regarding the suitability of its products for any particular purpose, nor does ON Semiconductor assume any liability arising out of the application or use of any product or circuit, and specifically disclaims any and all liability, including without limitation special, consequential or incidental damages. ON Semiconductor does not convey any license under its patent rights nor the rights of others.

**onsemi**, **Onsemi**, and other names, marks, and brands are registered and/or common law trademarks of Semiconductor Components Industries, LLC dba "**onsemi**" or its affiliates and/or subsidiaries in the United States and/or other countries. **onsemi** owns the rights to a number of patents, trademarks, copyrights, trade secrets, and other intellectual property. A listing of **onsemi**'s product/patent coverage may be accessed at [www.onsemi.com/site/pdf/Patent-Marking.pdf](http://www.onsemi.com/site/pdf/Patent-Marking.pdf). **onsemi** reserves the right to make changes at any time to any products or information herein, without notice. The information herein is provided "as-is" and **onsemi** makes no warranty, representation or guarantee regarding the accuracy of the information, product features, availability, functionality, or suitability of its products for any particular purpose, nor does **onsemi** assume any liability arising out of the application or use of any product or circuit, and specifically disclaims any and all liability, including without limitation special, consequential or incidental damages. Buyer is responsible for its products and applications using **onsemi** products, including compliance with all laws, regulations and safety requirements or standards, regardless of any support or applications information provided by **onsemi**. "Typical" parameters which may be provided in **onsemi** data sheets and/or specifications can and do vary in different applications and actual performance may vary over time. All operating parameters, including "Typicals" must be validated for each customer application by customer's technical experts. **onsemi** does not convey any license under any of its intellectual property rights nor the rights of others. **onsemi** products are not designed, intended, or authorized for use as a critical component in life support systems or any FDA Class 3 medical devices or medical devices with a same or similar classification in a foreign jurisdiction or any devices intended for implantation in the human body. Should Buyer purchase or use **onsemi** products for any such unintended or unauthorized application, Buyer shall indemnify and hold **onsemi** and its officers, employees, subsidiaries, affiliates, and distributors harmless against all claims, costs, damages, and expenses, and reasonable attorney fees arising out of, directly or indirectly, any claim of personal injury or death associated with such unintended or unauthorized use, even if such claim alleges that **onsemi** was negligent regarding the design or manufacture of the part. **onsemi** is an Equal Opportunity/Affirmative Action Employer. This literature is subject to all applicable copyright laws and is not for resale in any manner.

## PUBLICATION ORDERING INFORMATION

### LITERATURE FULFILLMENT:

Email Requests to: [orderlit@onsemi.com](mailto:orderlit@onsemi.com)

**onsemi Website:** [www.onsemi.com](http://www.onsemi.com)

### TECHNICAL SUPPORT

**North American Technical Support:**

Voice Mail: 1 800-282-9855 Toll Free USA/Canada

Phone: 011 421 33 790 2910

**Europe, Middle East and Africa Technical Support:**

Phone: 00421 33 790 2910

For additional information, please contact your local Sales Representative