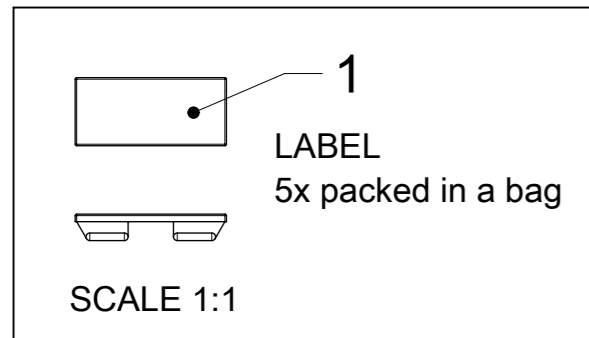
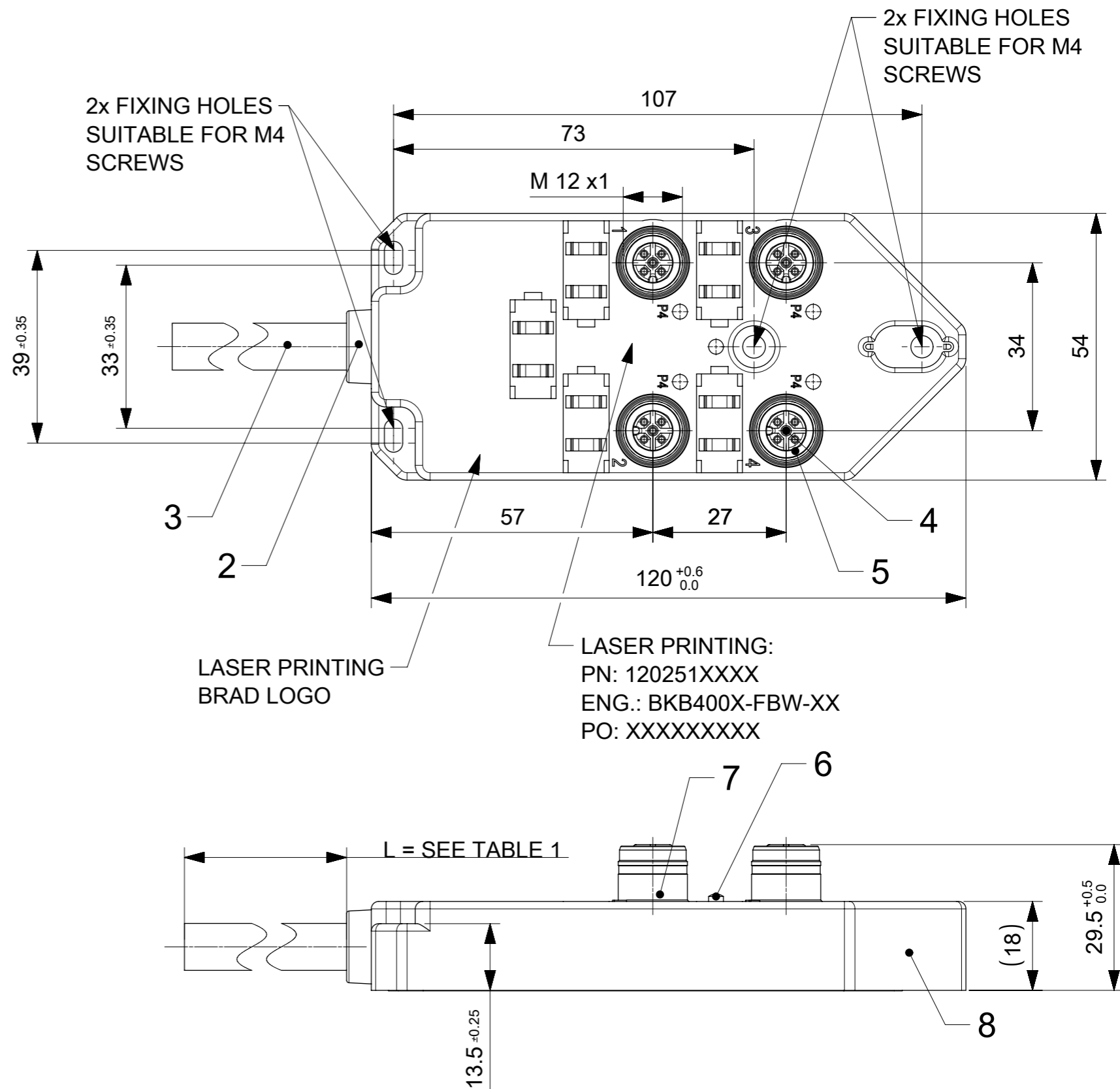


TABLE 1

MOLEX P/N	ENG. NO.	CABLE LENGTH (mm)	LED
1202510019	BKB4000-FBW-05	5000	NO
1202510020	BKB4000-FBW-10	10000	NO
1202510021	BKB4000-FBW-15	15000	NO
1202510022	BKB400P-FBW-05	5000	YES
1202510023	BKB400P-FBW-10	10000	YES
1202510024	BKB400P-FBW-15	15000	YES
1202510025	BKB400N-FBW-05	5000	YES
1202510026	BKB400N-FBW-10	10000	YES
1202510027	BKB400N-FBW-15	15000	YES

TABLE 2 BILL OF MATERIAL

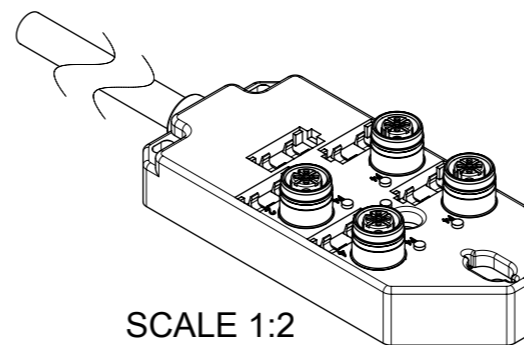
ITEM	DESCRIPTION	MATERIAL	FINISH
1	LABEL	ABS	WHITE
2	CABLE PLATE	PBT	BLACK
3	CABLE	TPU BASED	BLACK
4	CONTACT	BRONZE	GOLD OVER NICKEL
5	O-RING	FPM	RED
6	LED	NO LED = PA	BLACK
		WITH LED = PA	TRANSPARENT
7	SHELL	BRASS	NICKEL PLATED
8	HOUSING	PBT	BLACK



GENERAL CHARACTERISTICS:

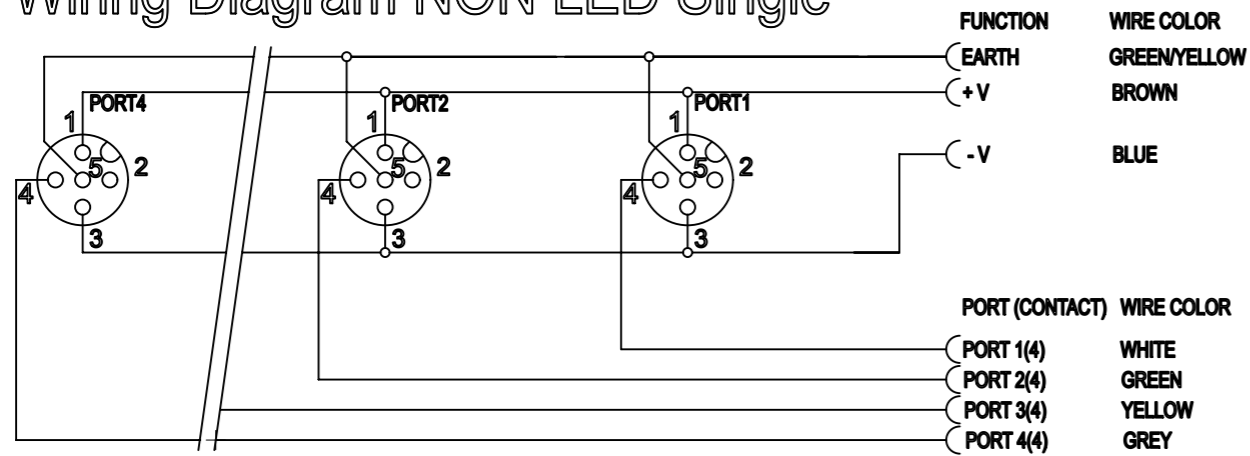
ELECTRICAL AND MECHANICAL DATA ACC. TO IEC 61076-2-101

NOMINAL VOLTAGE: 10-30 V DC
 AMPERE RATING: 4 A PER PORT / 12 A MAX
 AMPERE RATING WITH UL REGISTRATION: 3 A PER PORT / 9 A MAX
 IP DEGREE OF PROTECTION: IP 67
 TEMPERATURE RANGE: -25°C to + 85°C

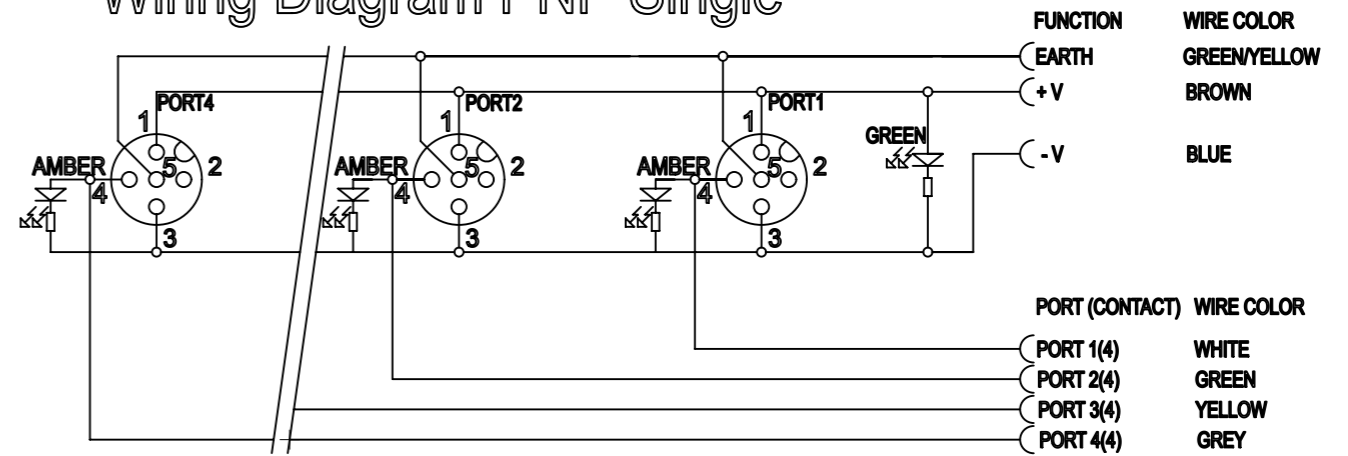


SYMBOLS		THIS DRAWING CONTAINS INFORMATION THAT IS PROPRIETARY TO MOLEX ELECTRONIC TECHNOLOGIES, LLC AND SHOULD NOT BE USED WITHOUT WRITTEN PERMISSION	
DIMENSION UNITS	SCALE	CURRENT REV DESC: INITIAL RELEASE	
mm	1:1	molex MPIS U12 NON PNP NPN 4P 4PT BK XM SINGLE	
GENERAL TOLERANCES (UNLESS SPECIFIED)			
ANGULAR TOL	± 1.0°	EC NO: 631635 DRWN: MDHARMANTI 2020/01/27 CHK'D: RSILLER 2020/02/05 APPR: RSILLER 2020/02/05	
4 PLACES	±	INITIAL REVISION: DRWN: SSM 2018/11/29 APPR: RSILLER 2020/01/17	
3 PLACES	±	DOCUMENT NUMBER: 1202510019 DOC TYPE: PSD DOC PART: 000 REVISION: A1	
2 PLACES	± 0.05	MATERIAL NUMBER: SEE TABLE 1 CUSTOMER: GENERAL MARKET	
1 PLACE	± 0.3	SHEET NUMBER: 1 OF 2	
0 PLACES	± 0.5	THIRD ANGLE PROJECTION:	
DRAFT WHERE APPLICABLE MUST REMAIN WITHIN DIMENSIONS		DRAWING: A3-SIZE	SERIES: 120251

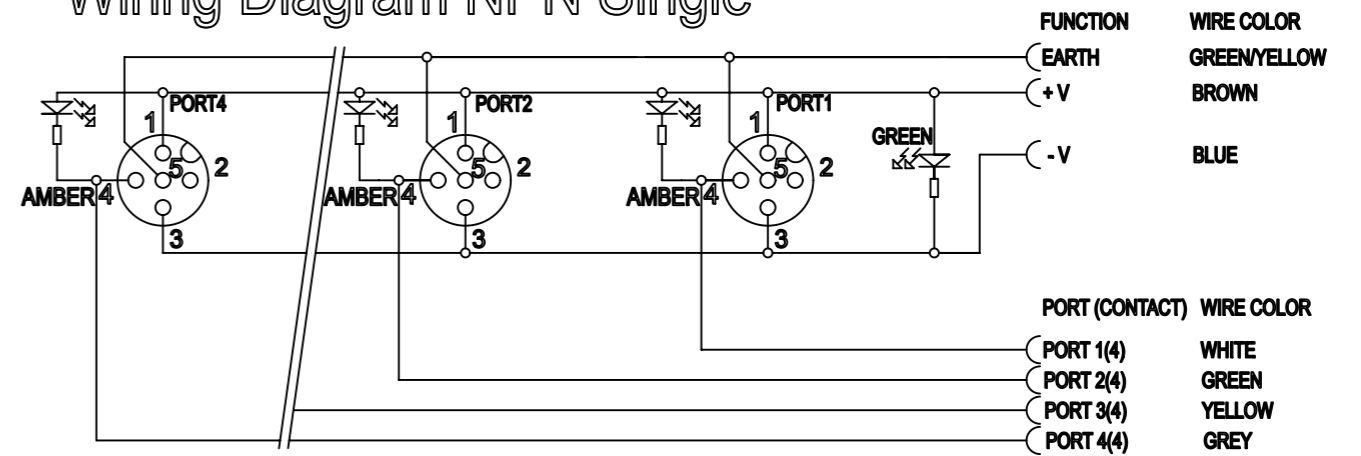
Wiring Diagram NON LED Single



Wiring Diagram PNP Single



Wiring Diagram NPN Single



CABLE LENGTH TOLERANCES

LENGTH [m]	TOLERANCE [mm]
0-1	+40
>1-5	+60
>5-10	+80
>10-20	+140
>20-30	+160
>30	+1% length

SYMBOLS DIMENSION UNITS: mm SCALE: 1:1 GENERAL TOLERANCES (UNLESS SPECIFIED) ANGULAR TOL ± 1.0° 4 PLACES ± 3 PLACES ± 2 PLACES ± 0.05 1 PLACE ± 0.3 0 PLACES ± 0.5 DRAFT WHERE APPLICABLE MUST REMAIN WITHIN DIMENSIONS THIRD ANGLE PROJECTION DRAWING: A3-SIZE SERIES: 120251	THIS DRAWING CONTAINS INFORMATION THAT IS PROPRIETARY TO MOLEX ELECTRONIC TECHNOLOGIES, LLC AND SHOULD NOT BE USED WITHOUT WRITTEN PERMISSION CURRENT REV DESC: INITIAL RELEASE EC NO: 631635 DRWN: MDHARMANTI 2020/01/27 CHK'D: RSILLER 2020/02/05 APPR: RSILLER 2020/02/05 INITIAL REVISION: DRWN: SSM 2018/11/29 APPR: RSILLER 2020/01/17		
	MPIS U12 NON PNP NPN 4P 4PT BK XM SINGLE PRODUCT CUSTOMER DRAWING		DOCUMENT NUMBER: 1202510019 DOC TYPE: PSD DOC PART: 000 REVISION: A1
DOCUMENT STATUS: P1 RELEASE DATE: 2020/02/05 10:52:01	MATERIAL NUMBER: SEE TABLE 1 CUSTOMER: GENERAL MARKET SHEET NUMBER: 2 OF 2		