

QSFP-40GB-ZR4-J-C

Juniper Networks® Compatible TAA 40GBase-ZR4 QSFP+ Transceiver (SMF, 1295nm to 1309nm, 80km, LC, DOM)

Features:

- Compliant with QSFP28 MSA
- 4 cooled 10.3125Gbps channels LAN WDM EML TOSA
- 4 channels SOA PIN photo detector
- Single +3.3V power supply
- Class 1 laser safety certified
- Duplex LC Connector
- Single-mode Fiber
- Commercial Temperature 0 to 70 Celsius
- RoHS Compliant and Lead Free



Applications:

- 40GBase Ethernet
- Access and Enterprise

Product Description

This Juniper Networks® QSFP+ transceiver provides 40GBase-ZR4 throughput up to 80km over single-mode fiber (SMF) using a wavelength of 1295nm to 1309nm via an LC connector. It is guaranteed to be 100% compatible with the equivalent Juniper Networks® transceiver. This easy to install, hot swappable transceiver has been programmed, uniquely serialized and data-traffic and application tested to ensure that it will initialize and perform identically. Digital optical monitoring (DOM) support is also present to allow access to real-time operating parameters. This transceiver is Trade Agreements Act (TAA) compliant. We stand behind the quality of our products and proudly offer a limited lifetime warranty.

ProLabs' transceivers are RoHS compliant and lead-free.

TAA refers to the Trade Agreements Act (19 U.S.C. & 2501-2581), which is intended to foster fair and open international trade. TAA requires that the U.S. Government may acquire only "U.S. – made or designated country end products."



Absolute Maximum Ratings

| Parameter | Symbol | Min. | Typ. | Max. | Unit |
|----------------------------|------------------|---------|------|-------|------|
| Supply Voltage | V _{cc} | -0.5 | | 4.0 | V |
| Supply Voltage | V _{cc} | 3.135 | 3.3 | 3.465 | V |
| Storage Temperature | T _{stg} | -40 | | 85 | °C |
| Operating Case Temperature | T _c | 0 | 25 | 70 | °C |
| Relative Humidity | RH | 5 | | 95 | % |
| Data Rate Per Channel | | 10.3125 | | | Gbps |

Notes:

1. Stresses exceeding the absolute maximum ratings can cause permanent damage to the device.
2. These are absolute stress ratings only.
3. Functional operation of the device is not implied at these or any other conditions in excess of those given in the operational sections of the datasheet.
4. Exposure to absolute maximum ratings for extended periods can adversely affect device reliability.

Electrical Characteristics

| Parameter | Symbol | Min. | Typ. | Max. | Unit |
|--|---------------------|------|------|------|-------|
| Module Supply Current | I _{cc} | | | 1650 | mA |
| Power Dissipation | P _{DISS} | | | 5000 | mW |
| Transmitter | | | | | |
| Single-Ended Input Voltage Tolerance | | -0.3 | | 4.0 | V |
| Input Differential Impedance | Z _{IN} | | 100 | | Ω |
| Differential Data Input Swing | V _{IN,pp} | 190 | | 700 | mVp-p |
| AC Common-Mode Input Voltage Tolerance | | 15 | | | mV |
| Differential Input Voltage Swing Threshold | | | 50 | | mVp-p |
| Receiver | | | | | |
| Single-Ended Output Voltage | | -0.3 | | 4.0 | V |
| Output Differential Impedance | Z _{OUT} | 90 | 100 | 110 | Ω |
| Differential Data Output Swing | V _{OUT,pp} | 300 | | 850 | mVp-p |
| AC Common-Mode Output Voltage | | | | 7.5 | mV |

Optical Characteristics

| Parameter | Symbol | Min. | Typ. | Max. | Unit | Notes |
|-----------------------------------|------------------------------------|---------|---------|---------|------|-------|
| Transmitter | | | | | | |
| Launch Optical Power Per Lane | Po | 2.0 | | 6.5 | dBm | 1 |
| Total Launch Optical Power | Po | | | 12.5 | dBm | 1 |
| Center Wavelength Range | L1 | 1294.53 | 1295.56 | 1296.59 | nm | |
| | L2 | 1299.02 | 1300.05 | 1301.09 | nm | |
| | L3 | 1303.54 | 1304.58 | 1305.63 | nm | |
| | L4 | 1308.09 | 1309.14 | 1310.19 | nm | |
| Extinction Ratio | ER | 8 | | | dB | 1 |
| Spectral Width (-20dB) | $\Delta\lambda$ | | | 1 | nm | |
| Side-Mode Suppression Ratio | SMSR | 30 | | | dB | |
| Optical Return Loss Tolerance | ORLT | | | 20 | dB | |
| POUT @ Tx_Disable Asserted | Poff | | | -30 | dBm | 1 |
| Eye Mask (X1, X2, X3, Y1, Y2, Y3) | (0.25, 0.4, 0.45, 0.25, 0.28, 0.4) | | | | | |
| Receiver | | | | | | |
| Center Wavelength | L1 | 1294.53 | 1295.56 | 1296.59 | nm | |
| | L2 | 1299.02 | 1300.05 | 1301.09 | nm | |
| | L3 | 1303.54 | 1304.58 | 1305.63 | nm | |
| | L4 | 1308.09 | 1309.14 | 1310.19 | nm | |
| Sensitivity Per Channel (OMA) | S1 | | | -26.9 | dBm | 2 |
| Sensitivity Per Channel (Average) | S2 | | | -28 | dBm | 2 |
| Overload (Per Channel) | POL | 2 | | | dBm | |
| Damage Threshold (Per Channel) | Pdmg | 4.5 | | | dBm | |
| Receiver Reflectance | Rf | | | -26 | dB | |
| LOS De-Assert | LOSD | | | -28 | dBm | |
| LOS Assert | LOSA | -35 | | | dBm | |
| LOS Hysteresis | LOSH | 0.5 | | 5 | dB | |

Notes:

1. Measured with a PRBS $2^{31}-1$ test pattern @10.3125Gbps.
2. Measured with a PRBS $2^{31}-1$ test pattern, @10.3125Gbps, and BER $5.0E^{-5}$.

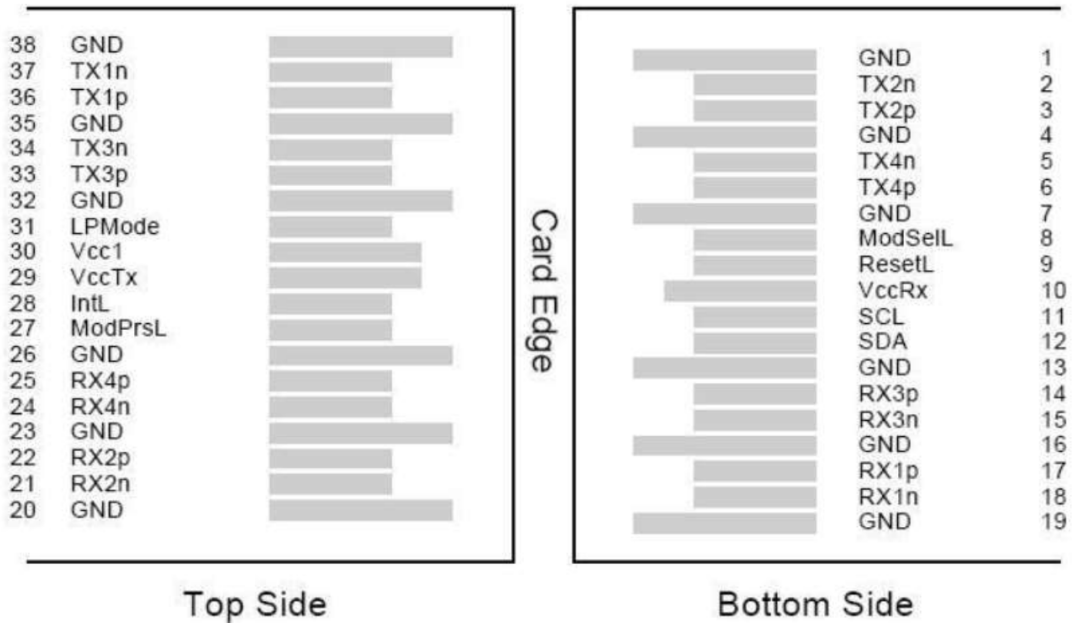
Pin Description

| Pin | Symbol | Name/Description | Note |
|-----|---------|---|------|
| 1 | GND | Transmitter Ground (Common with Receiver Ground). | 1 |
| 2 | Tx2- | Transmitter Inverted Data Input. | |
| 3 | Tx2+ | Transmitter Non-Inverted Data Output. | |
| 4 | GND | Transmitter Ground (Common with Receiver Ground). | 1 |
| 5 | Tx4- | Transmitter Inverted Data Input. | |
| 6 | Tx4+ | Transmitter Non-Inverted Data Output. | |
| 7 | GND | Transmitter Ground (Common with Receiver Ground). | 1 |
| 8 | ModSelL | Module Select. | 2 |
| 9 | ResetL | Module Reset. | 2 |
| 10 | VccRx | +3.3V Power Supply Receiver. | |
| 11 | SCL | 2-Wire Serial Interface Clock. | 2 |
| 12 | SDA | 2-Wire Serial Interface Data. | 2 |
| 13 | GND | Transmitter Ground (Common with Receiver Ground). | 1 |
| 14 | Rx3+ | Receiver Non-Inverted Data Output. | |
| 15 | Rx3- | Receiver Inverted Data Output. | |
| 16 | GND | Transmitter Ground (Common with Receiver Ground). | 1 |
| 17 | Rx1+ | Receiver Non-Inverted Data Output. | |
| 18 | Rx1- | Receiver Inverted Data Output. | |
| 19 | GND | Transmitter Ground (Common with Receiver Ground). | 1 |
| 20 | GND | Transmitter Ground (Common with Receiver Ground). | 1 |
| 21 | Rx2- | Receiver Inverted Data Output. | |
| 22 | Rx2+ | Receiver Non-Inverted Data Output. | |
| 23 | GND | Transmitter Ground (Common with Receiver Ground). | 1 |
| 24 | Rx4- | Receiver Inverted Data Output. | |
| 25 | Rx4+ | Receiver Non-Inverted Data Output. | |
| 26 | GND | Transmitter Ground (Common with Receiver Ground). | 1 |
| 27 | ModPrsl | Module Present. | |
| 28 | IntL | Interrupt. | 2 |
| 29 | VccTx | +3.3V Transmitter Power Supply. | |
| 30 | Vcc1 | +3.3V Power Supply. | |
| 31 | LPMODE | Low-Power Mode. | 2 |
| 32 | GND | Transmitter Ground (Common with Receiver Ground). | 1 |
| 33 | Tx3+ | Transmitter Non-Inverted Data Input. | |
| 34 | Tx3- | Transmitter Inverted Data Output. | |
| 35 | GND | Transmitter Ground (Common with Receiver Ground). | 1 |
| 36 | Tx1+ | Transmitter Non-Inverted Data Input. | |
| 37 | Tx1- | Transmitter Inverted Data Output. | |
| 38 | GND | Transmitter Ground (Common with Receiver Ground). | 1 |

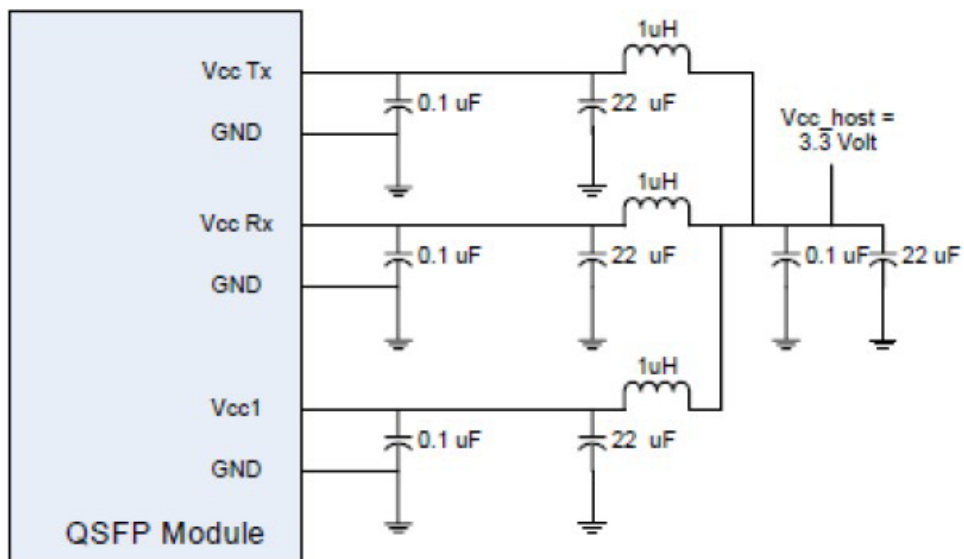
Notes:

1. The module signal grounds are isolated from the module case.
2. This is an open collector/drain output that on the host board requires a 4.7kΩ to 10kΩ pull-up resistor to Host_Vcc.

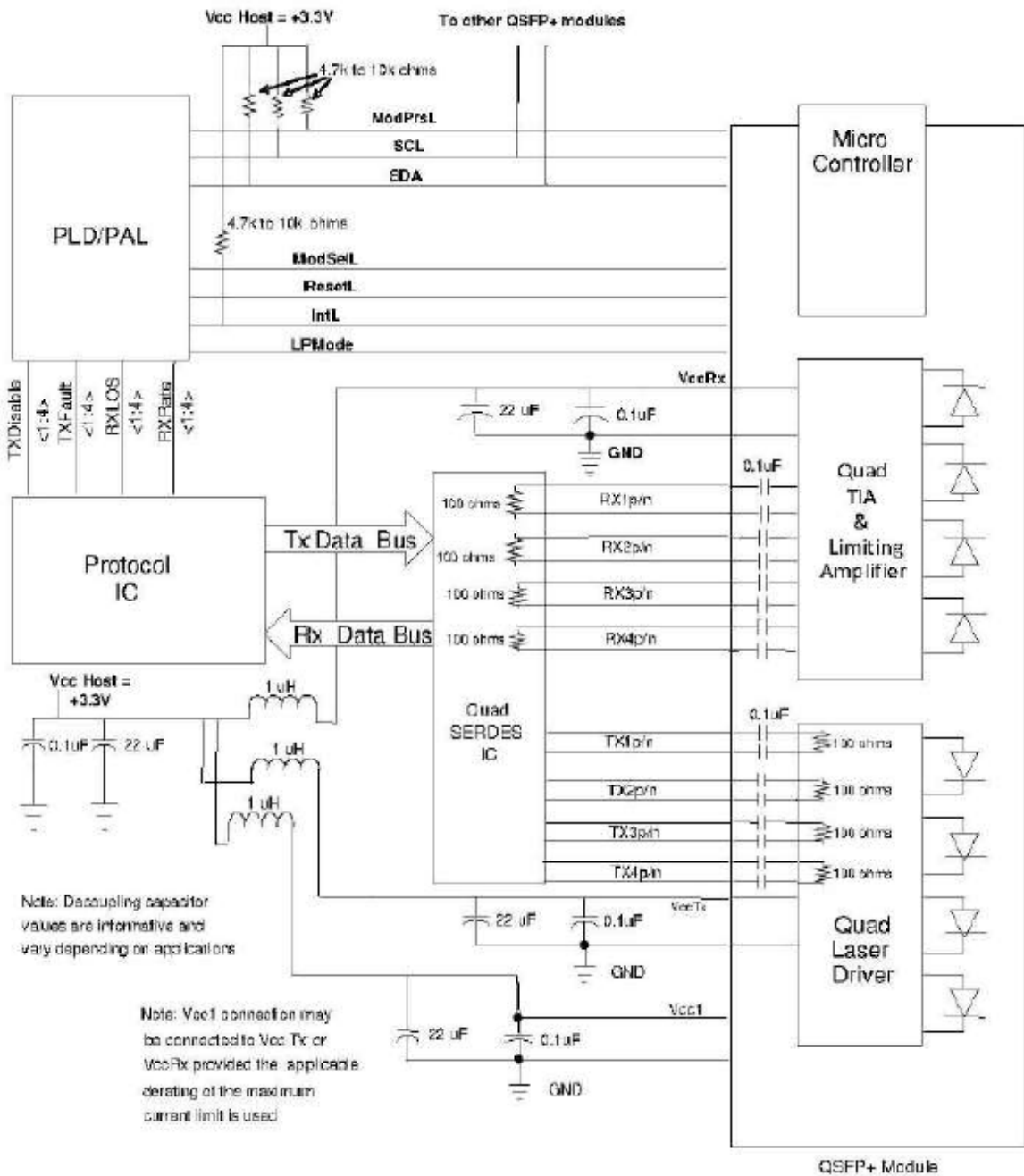
Host PCB QSFP28 Pad Assignment Top View



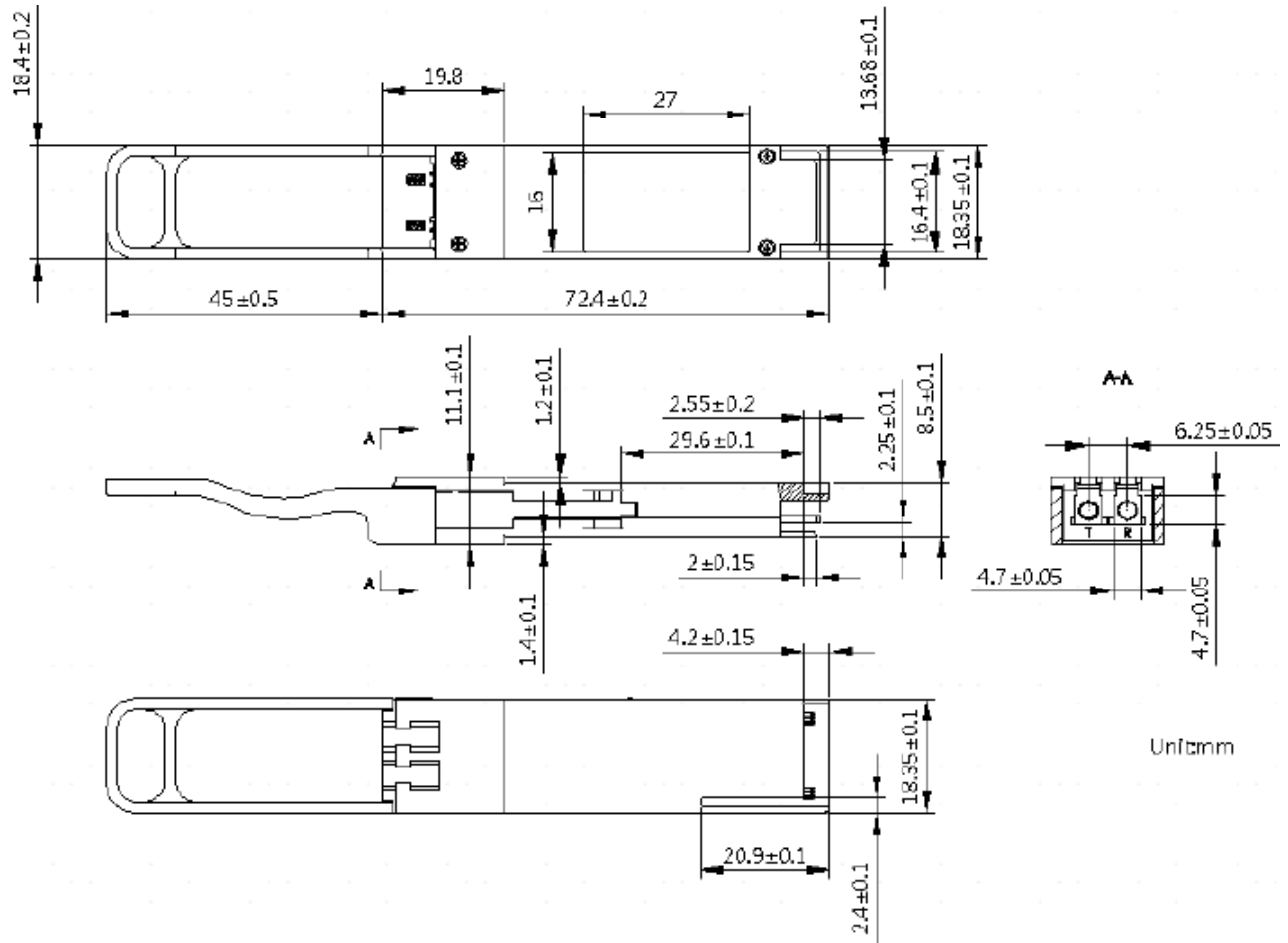
Recommended Host Board Power Supply Filter Network



Recommended Application Interface Block Diagram



Mechanical Specifications



About ProLabs

Our experience comes as standard; for over 15 years ProLabs has delivered optical connectivity solutions that give our customers freedom and choice through our ability to provide seamless interoperability. At the heart of our company is the ability to provide state-of-the-art optical transport and connectivity solutions that are compatible with over 90 optical switching and transport platforms.

Complete Portfolio of Network Solutions

ProLabs is focused on innovations in optical transport and connectivity. The combination of our knowledge of optics and networking equipment enables ProLabs to be your single source for optical transport and connectivity solutions from 100Mb to 400G while providing innovative solutions that increase network efficiency. We provide the optical connectivity expertise that is compatible with and enhances your switching and transport equipment.

Trusted Partner

Customer service is our number one value. ProLabs has invested in people, labs and manufacturing capacity to ensure that you get immediate answers to your questions and compatible product when needed. With Engineering and Manufacturing offices in the U.K. and U.S. augmented by field offices throughout the U.S., U.K. and Asia, ProLabs is able to be our customers best advocate 24 hours a day.



Contact Information

ProLabs US

Email: sales@prolabs.com

Telephone: 952-852-0252

ProLabs UK

Email: salessupport@prolabs.com

Telephone: +44 1285 719 600