



**ANATECH ELECTRONICS INC**  
RF & Microwave Filters & Products

# 3.5 GHz MONOBLOCK Ceramic Band Pass Filter

**Part Number: AM3500B1093**



## Electrical Specifications

**Center Frequency:** 3500 MHz  
**Bandwidth:** 200 MHz  
**Passband:** 3400 – 3600 MHz  
**Passband Insertion Loss:** -1.7 dB Max  
**Passband Ripple:** 1.0 dB Max  
**Passband Return Loss:** -12.0 dB Min  
**Attenuation:** -28 dB @ 0.1-3240 MHz  
                   -28 dB @ 3760-6000 MHz  
**Input / Output Impedance:** 50 Ω  
**Power Handling:** 2 Watts max

## Mechanical

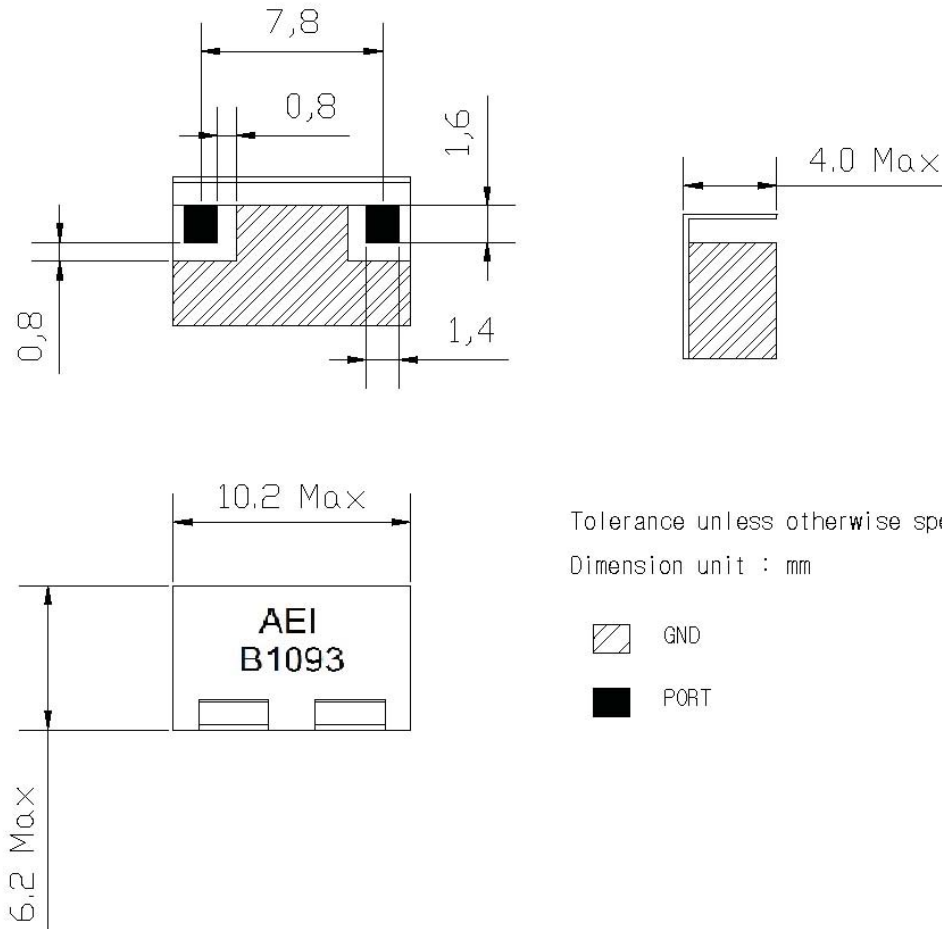
**Mounting Method:** SMT  
**Dimensions:** 10.20 x 6.20 x 4.0 mm

## Environmental

**Operating Temperature:** -40 to +85° C  
**Storage Temperature:** -50 to +95° C

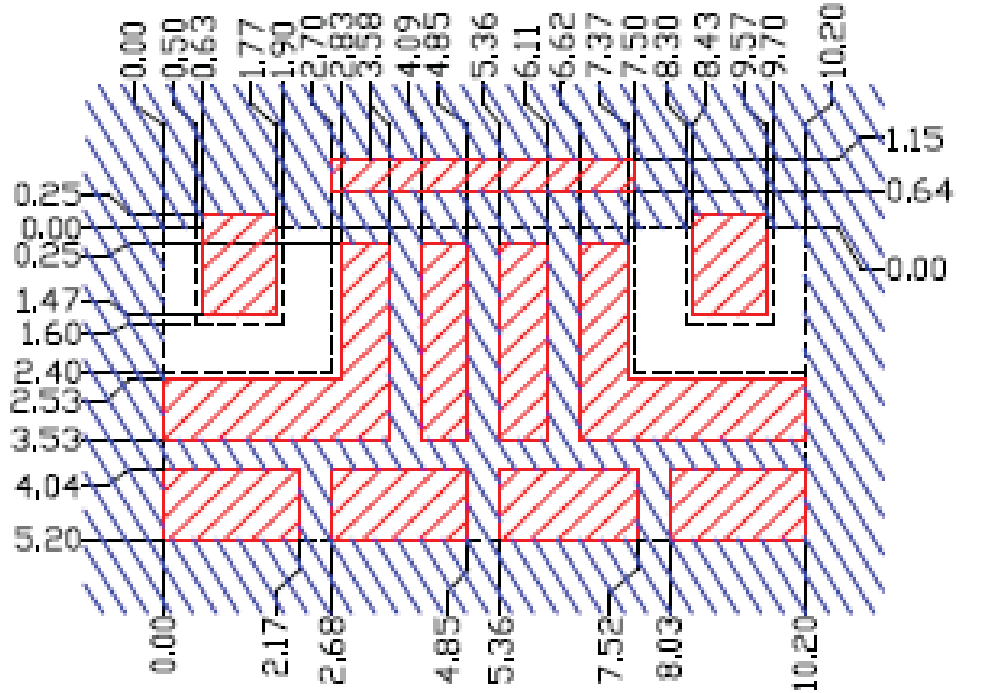
**This product is RoHS compliant.**




## Outline Drawing:





**PCB Layout:**



- Filter Outline
-  Exposed Conductor
-  Solder Resist Over Dielectric
-  Solder Resist Over Conductor



**ANATECH ELECTRONICS INC**  
RF & Microwave Filters & Products

# 3.5 GHz MONOBLOCK Ceramic Band Pass Filter

Part Number: AM3500B1093



Response Plot:

