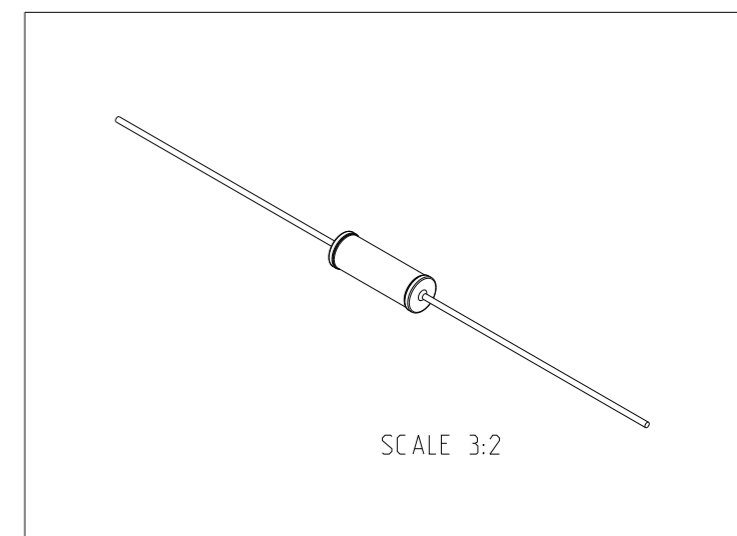
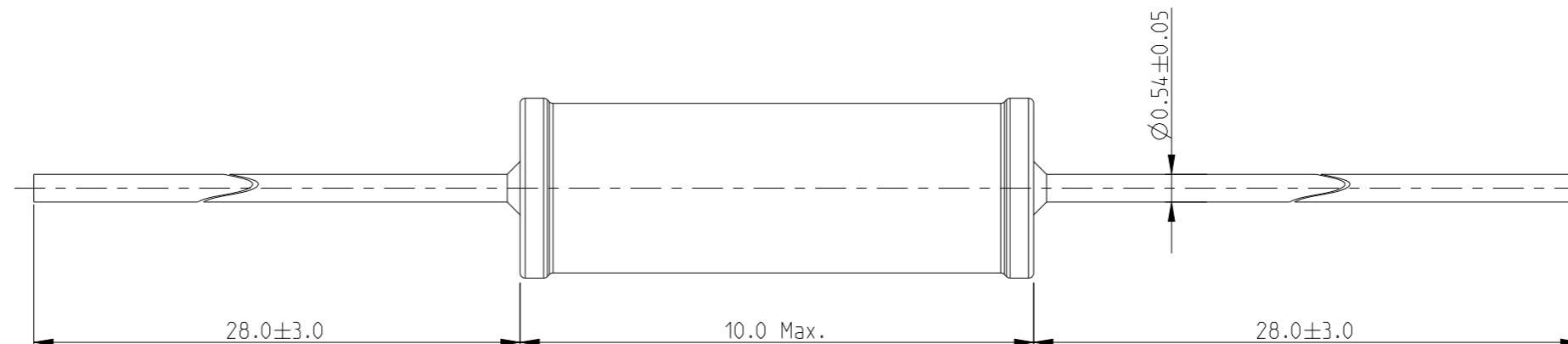
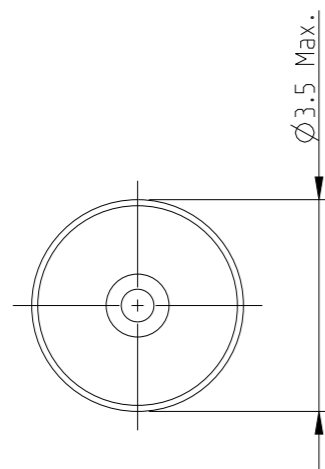


REVISIONS

| P | LTR | DESCRIPTION | DATE | DWN | APVD |
|---|-----|-----------------------------|-----------|-----|------|
| | BA | NEW RELEASE | 23-MAR-10 | MRS | St.P |
| | BB | CLARIFICATION OF DIMENSIONS | 18JAN2023 | DM | AP |
| | | | | | |
| | | | | | |

FOR FURTHER INFORMATION SEE DATA SHEET FOR SERIES LR, METAL FILM FIXED RESISTORS



RoHS Compliant

THIS DRAWING IS A CONTROLLED DOCUMENT.

| | |
|-------------|--|
| DIMENSIONS: | TOLERANCES UNLESS OTHERWISE SPECIFIED: |
| mm | |
| | 0 PLC ± 0.2 |
| | 1 PLC ± 0.1 |
| | 2 PLC \pm |
| | 3 PLC \pm |
| | 4 PLC \pm |
| | ANGLES $\pm 5^\circ$ |
| MATERIAL | FINISH |
| - | - |

| | |
|------------------|-----------|
| DWN | 23-MAR-10 |
| MAHARUDRA | |
| CHK | 23-MAR-10 |
| ALLAN.P | |
| APVD | 23-MAR-10 |
| STEPHEN.P | |
| PRODUCT SPEC | - |
| APPLICATION SPEC | - |
| WEIGHT | - |
| CUSTOMER DRAWING | |

| | | | |
|-------|-----------|--|---------------|
| | | NAME | |
| | | METAL FILM FIXED RESISTORS SERIES LR2 | |
| SIZE | CAGE CODE | DRAWING NO | RESTRICTED TO |
| A3 | 00779 | C-1622684 | - |
| SCALE | SHEET | OF | REV |
| 8:1 | 1 | 1 | BB |