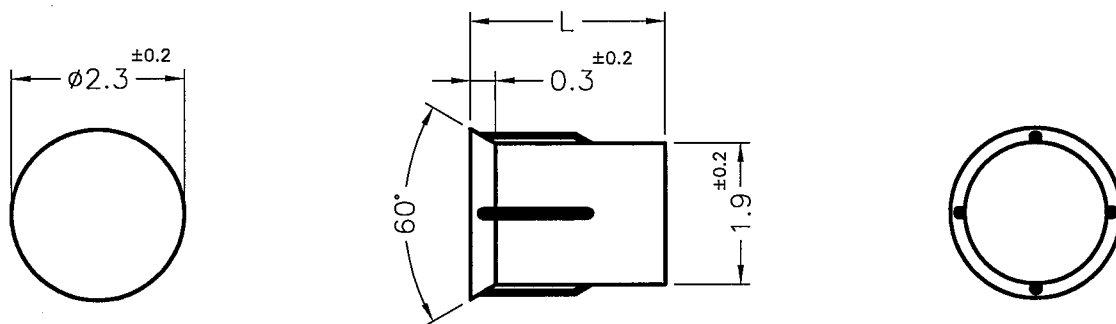
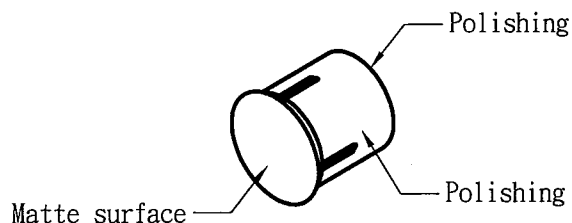


DIM.	TOL
L ≤ 10	±0.2
10 < L ≤ 30	±0.3
30 < L ≤ 50	±0.5
50 < L ≤ 100	±0.7
100 < L ≤ 250	±1.2
ABOVE 250	±1.5



MOUNTING HOLE $\phi 1.98^{\pm 0.05}$

PART NO.	L
LEMB2-2V0-F	2.0
LEMB2-2.5V0-F	2.5
LEMB2-3V0-F	3.0
LEMB2-3.2V0-F	3.2
LEMB2-4V0-F	4.0
LEMB2-4.8V0-F	4.8
LEMB2-5V0-F	5.0
LEMB2-6.4V0-F	6.4
LEMB2-7V0-F	7.0
LEMB2-8V0-F	8.0
LEMB2-9V0-F	9.0
LEMB2-10V0-F	10.0



NOTE: MADE OF EQUIVALENT MATERIAL.
均可使用同等材質。



康揚企業股份有限公司
KANG YANG HARDWARE ENTERPRISE CO., LTD.
康揚塑膠(東莞)有限公司
KANG YANG PLASTIC(DONG GUAN)CO.,LTD.
康哲電腦配件(吳江)有限公司
KANG CHE COMPUTER COMPONENTS(WUJIANG)CO.,LTD.

PROPRIETARY AND CONFIDENTIAL THE INFORMATION CONTAINED IN THIS DRAWING IS THE SOLE PROPERTY OF KANG YANG HARDWARE ENTERPRISE CO. ANY REPRODUCTION IN PART OR AS A WHOLE WITHOUT THE WRITTEN PERMISSION OF KANG YANG HARDWARE ENTERPRISE CO. IS PROHIBITED.	DATE	2016.08.05	TITLE	LIGHT PIPE	DWG. NO.	PART NO.	
	DRAWN	Summer	MATERIAL	PC UL94V-0	LEMB2-HV0-F	SEE ABOVE	
	CHECKED	林祺翔	COLOR	TRANSPARENT	FINISH	SIZE	REV
	APPROVED	Kang	UNLESS OTHERWISE SPECIFIED TOLERANCE:	SEE ABOVE	SCALE: NONE	UNIT	mm