

SAW Filter 918.60MHz
Part No: MP05039

Model: TA1471A
Rev No: 1

A. MAXIMUM RATING:

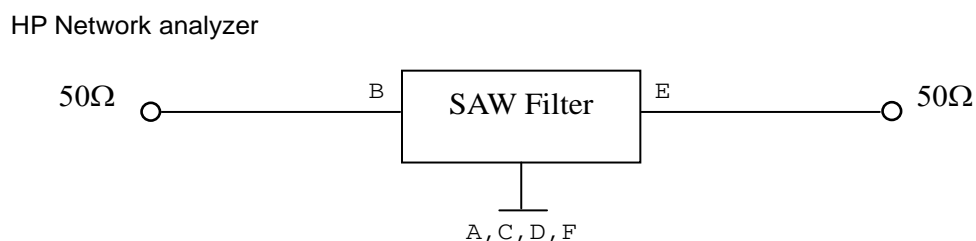
Electrostatic Sensitive Device (ESD)

1. Input Power Level: 10dBm
2. DC Voltage: 5V
3. Operating Temperature: 0°C to +80°C
4. Storage Temperature: -30°C to +85°C

B. ELECTRICAL CHARACTERISTICS:

Item	Unit	Min.	Typ.	Max.
Center frequency Fc	MHz	-	918.6	-
Insertion Loss (916.8~920.4 MHz) IL	dB	-	4.2	7
Amplitude Ripple (916.8 ~ 920.4MHz)	dB	-	0.7	4.5
Attenuation (Reference level from 0dB)				
715 ~ 900MHz	dB	15	47	-
900 ~ 915MHz	dB	2.5	6	-
928 ~ 1000MHz	dB	5	20	-
1000 ~ 1500MHz	dB	15	41	-
Temperature Coefficient of Frequency	ppm/°C	-	-36	-

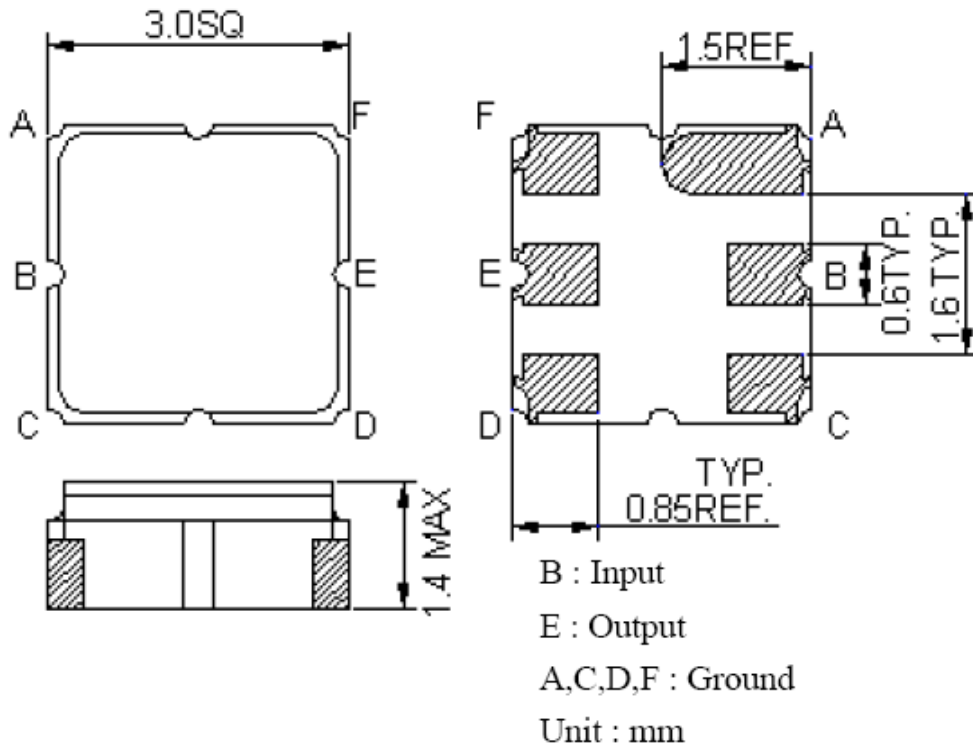
C. MEASUREMENT CIRCUIT:



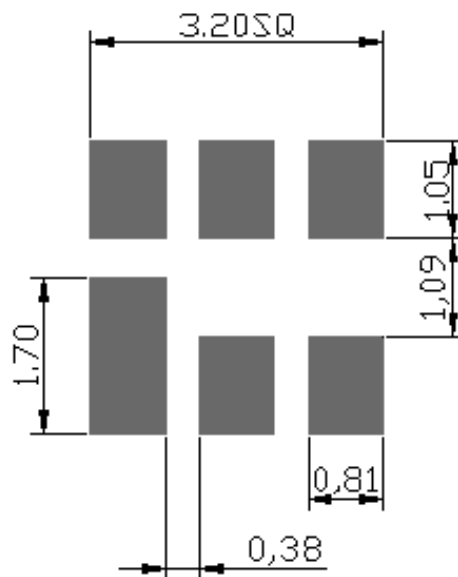
SAW Filter 918.60MHz
Part No: MP05039

Model: TA1471A
Rev No: 1

D. OUTLINE DRAWING:



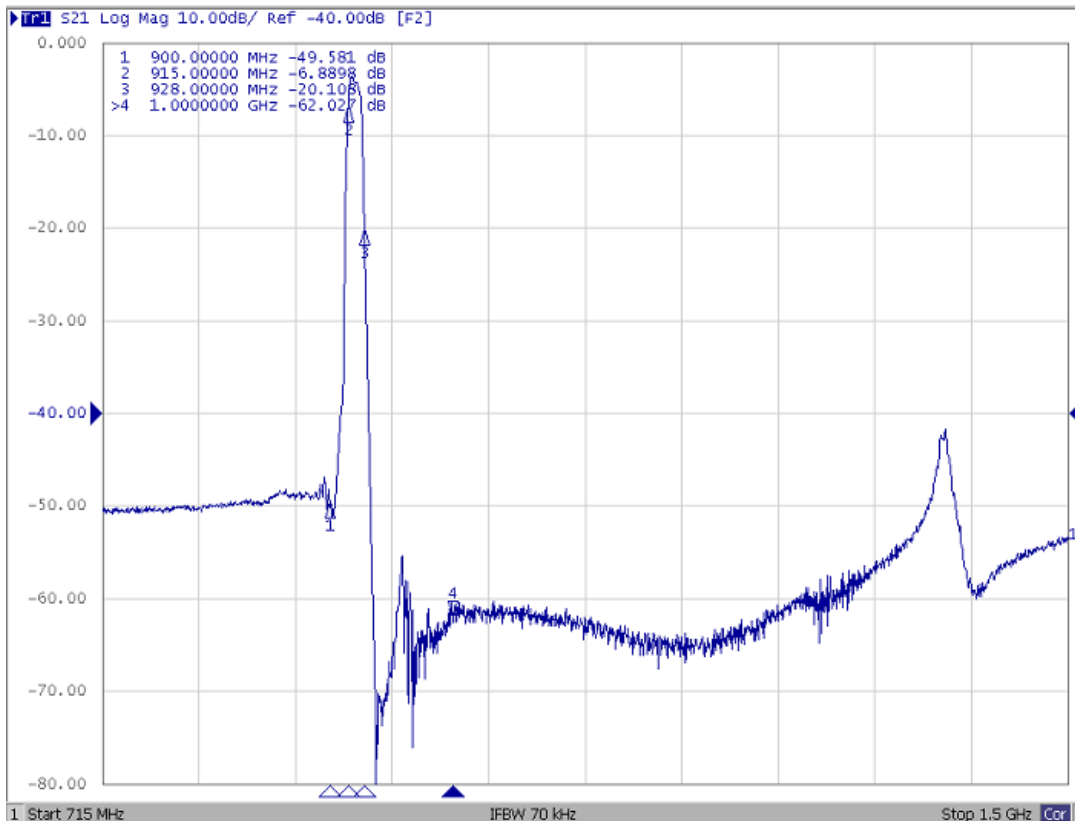
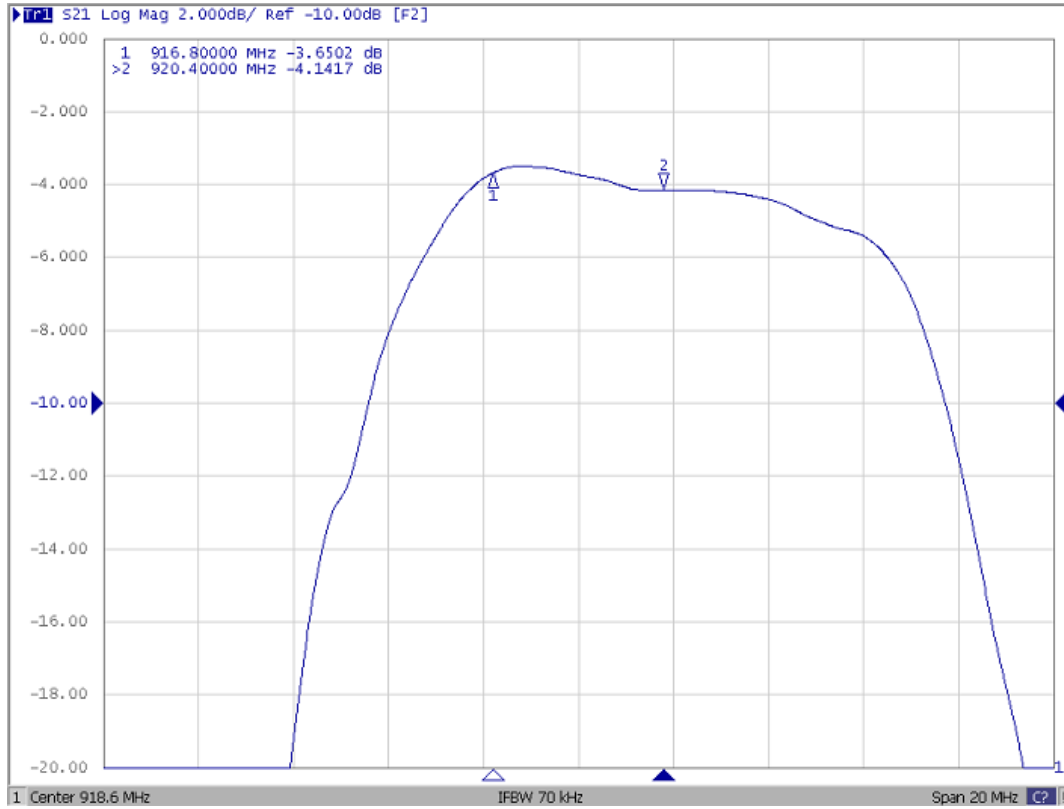
E. PCB FOOTPRINT:



SAW Filter 918.60MHz
Part No: MP05039

Model: TA1471A
Rev No: 1

F. FREQUENCY CHARACTERISTICS:

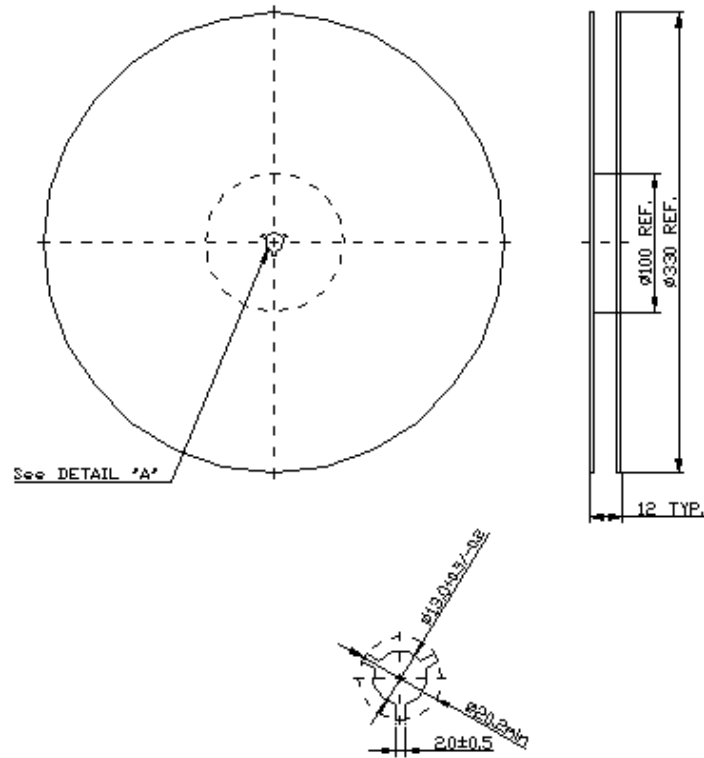


SAW Filter 918.60MHz
Part No: MP05039

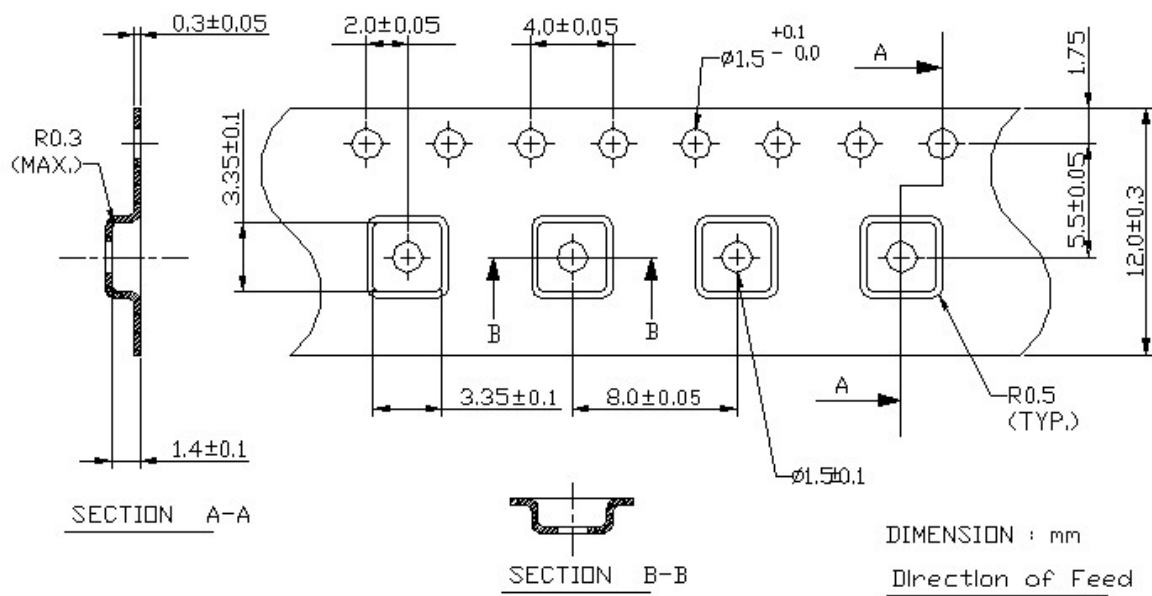
Model: TA1471A
Rev No: 1

G. PACKING:

1. Reel Dimension



2. Tape Dimension



SAW Filter 918.60MHz
Part No: MP05039

Model: TA1471A
Rev No: 1

H. RECOMMENDED REFLOW PROFILE:

