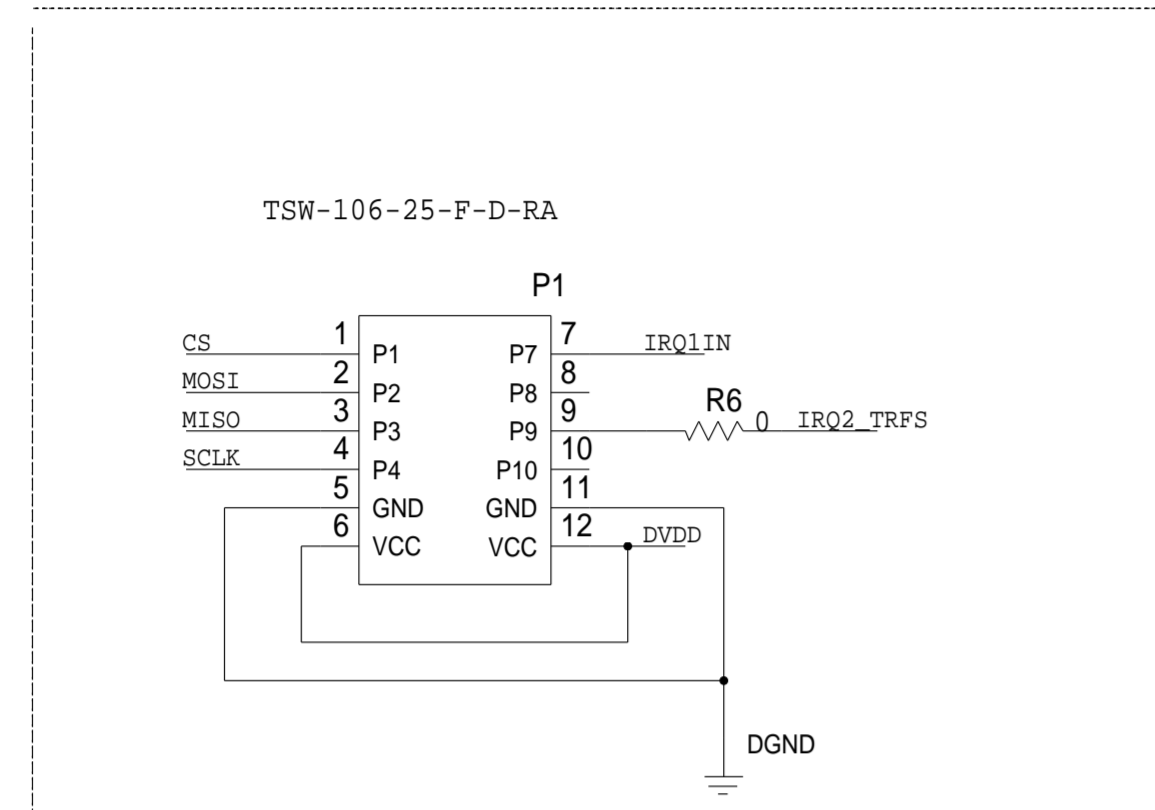
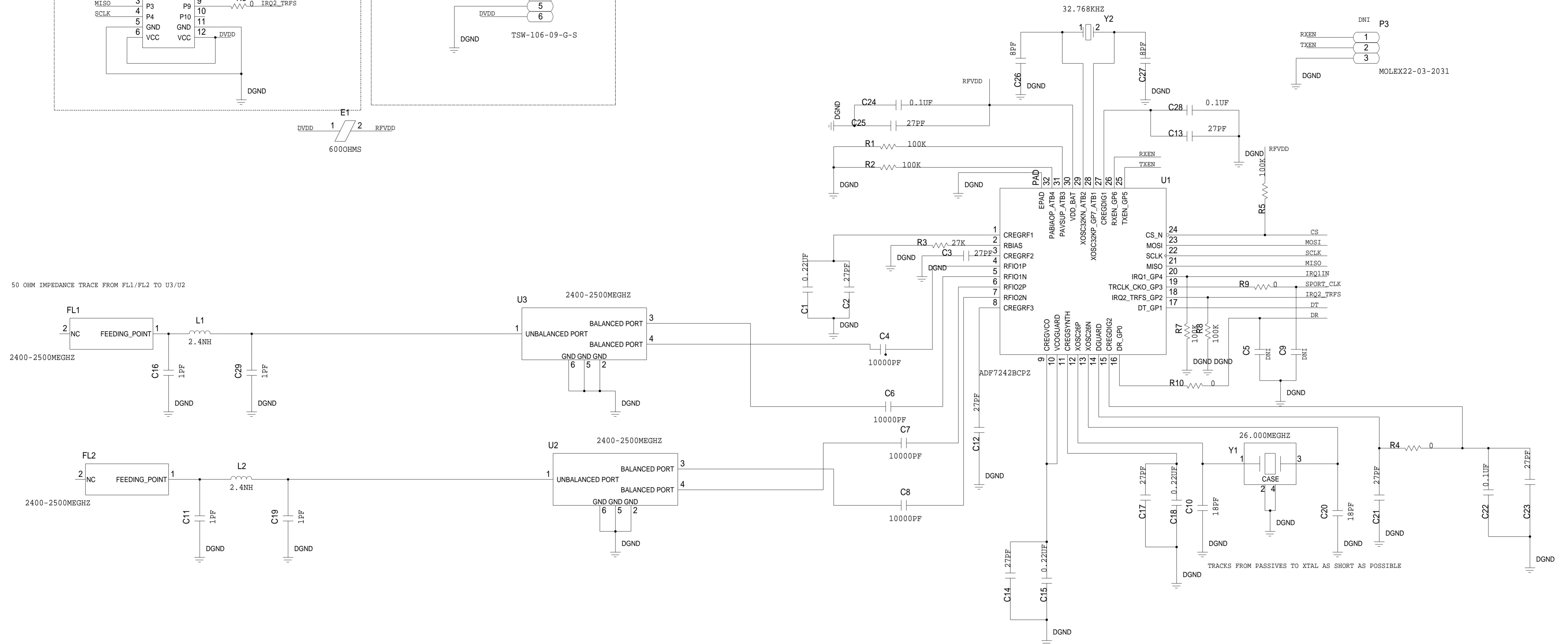
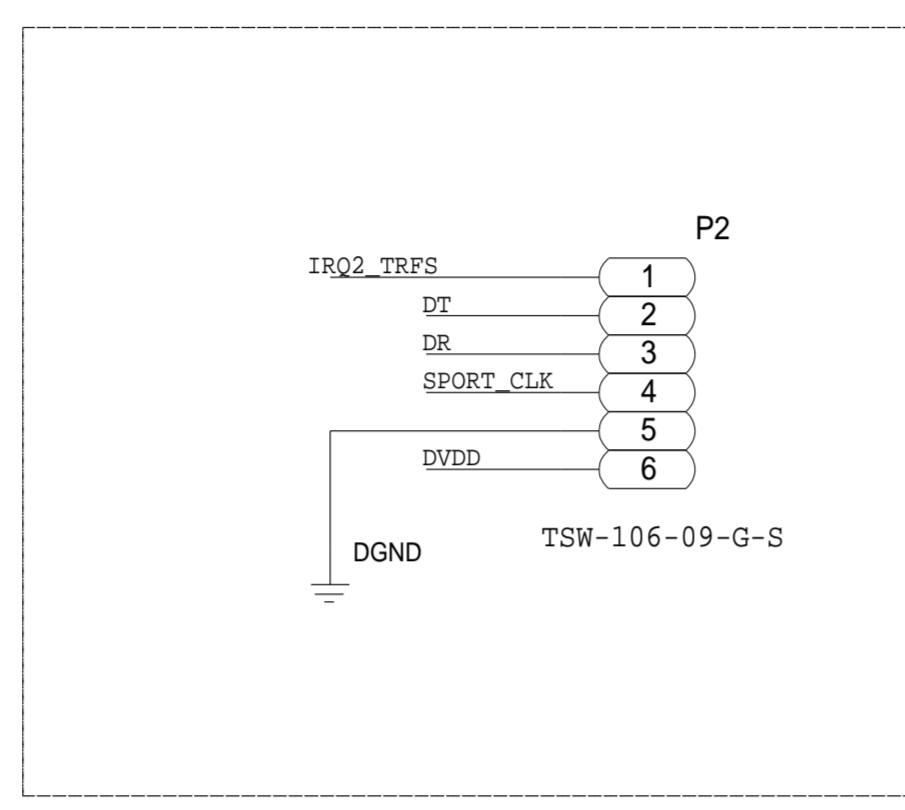


REVISIONS			
REV	DESCRIPTION	DATE	APPROVED
A	INITIAL RELEASE	MAY 2014	G. ARINUELO

SPI PMOD INTERFACE



SPORT INTERFACE



50 OHM IMPEDANCE TRACE FROM FL1/FL2 TO U3/U2

TRACKS FROM PASSIVES TO XTAL AS SHORT AS POSSIBLE

	SCHEMATIC		
	HW TYPE : Customer Evaluation Product(s) : ADF7242 : N/A		
DESIGN VIEW <DESIGN_VIEW>	DRAWING NO. 02_039960	REV A	
PTD ENGINEER G. ARINUELO	SIZE D	SCALE 1:1	SHEET 2 OF 2