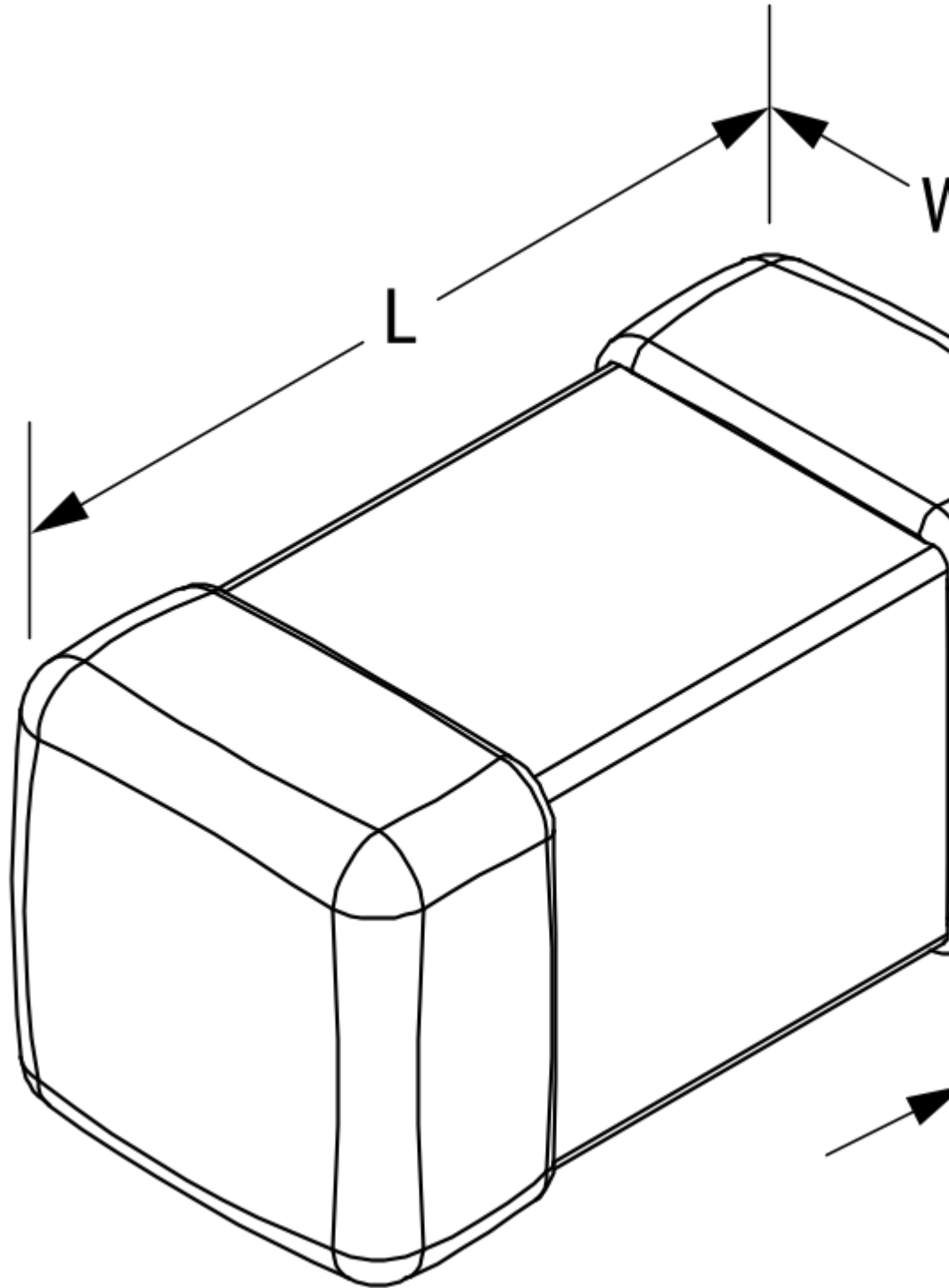


L0201C3N6SRMST

Obsolete

KEMET, L-RMS, RF, 0.0036 μ H, \pm 0.3 nH



Click [here](#) for the 3D model.

Dimensions

Chip Size 0201

L 0.6mm \pm 0.03mm

W 0.3mm \pm 0.03mm

Dimensions

T	0.3mm +/-0.03mm
LL	0.15mm +/-0.05mm
B	0.15mm +/-0.05mm

Packaging Specifications

Packaging	T&R
Packaging Quantity	15000

General Information

Series	L-RMS
Style	SMD Chip
Description	Surface Mount Inductor
RoHS	Yes
Core	Ceramic

Specifications

Inductance	0.0036 uH
Inductance Tolerance	+/-0.3 nH
Temperature Range	-55/+125°C
Current	170 mAmps (MAX)
DC Resistance	0.3 Ohms
Quality Factor	7 at 100 MHz, 20 at 800 MHz
Self-Resonant Frequency	6400 MHz MIN

Statements of suitability for certain applications are based on our knowledge of typical operating conditions for such applications, but are not intended to constitute - and we specifically disclaim - any warranty concerning suitability for a specific customer application or use. This Information is intended for use only by customers who have the requisite experience and capability to determine the correct products for their application. Any technical advice inferred from this Information or otherwise provided by us with reference to the use of our products is given gratis, and we assume no obligation or liability for the advice given or results obtained.

Generated 5/18/2023 - 63efc0f4-f7f5-4e9e-9e1f-81b781adde4a

© 2006 - 2023 KEMET

Generated 5/18/2023 - 63efc0f4-f7f5-4e9e-9e1f-81b781adde4a

© 2006 - 2023 KEMET