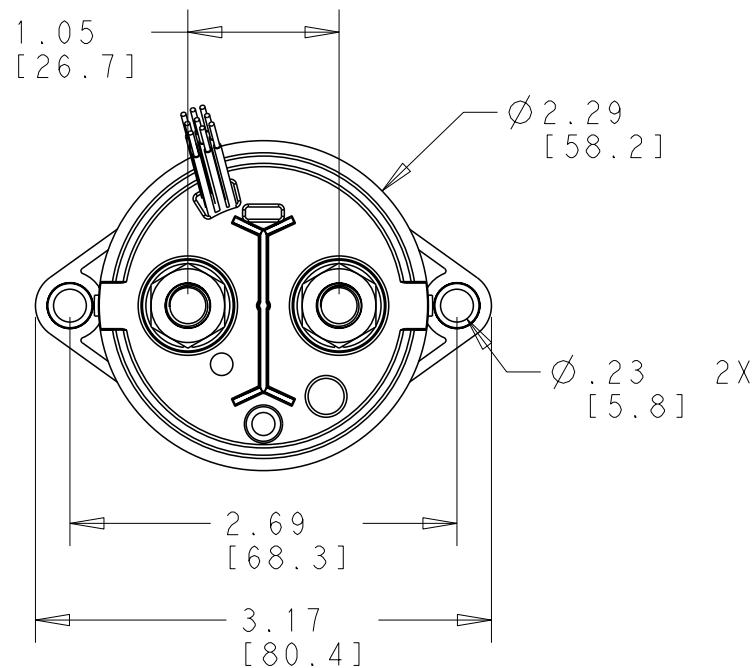


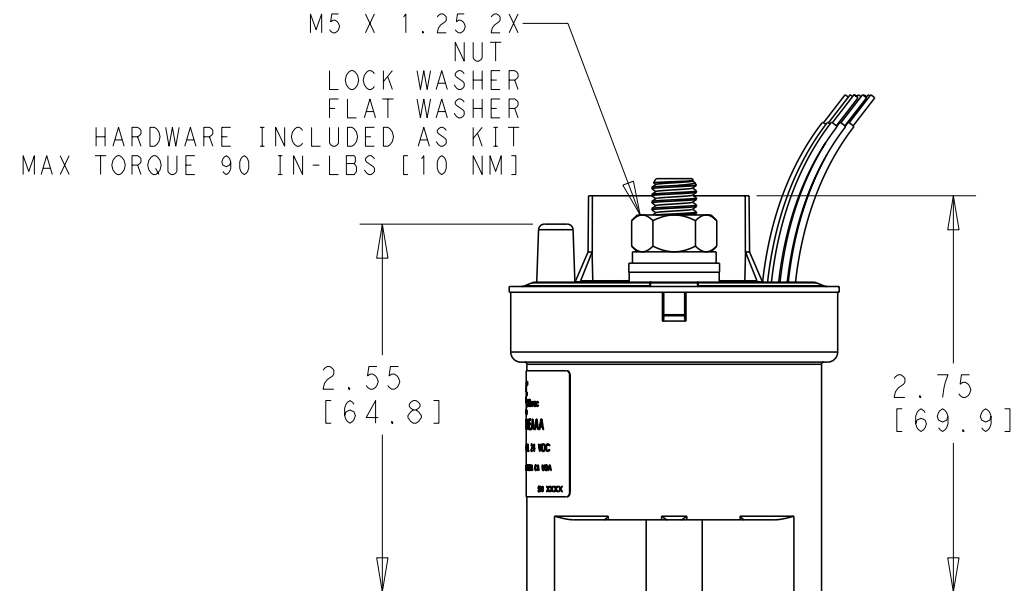
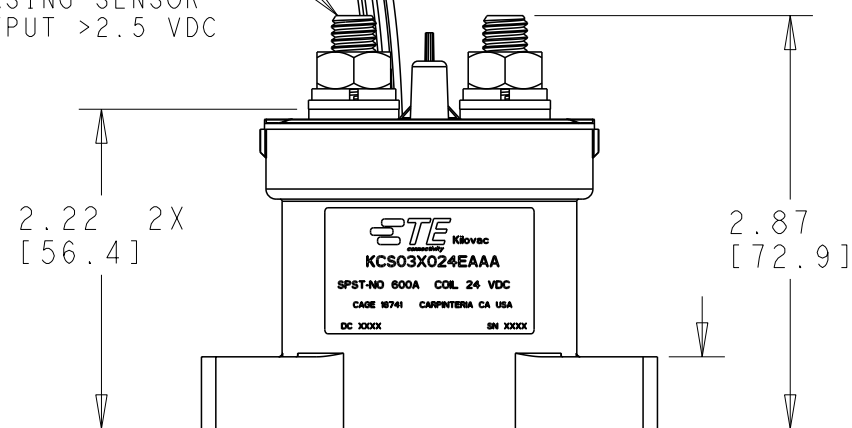
REVISIONS

P	LTR	DESCRIPTION	DATE	DWN	APVD
	A	INITIAL RELEASE	30DEC2016	MP	MP



OBSERVE PROPER POLARITIES FOR CONTROL LINES  
 UNTERMINATED WIRES - USE ESD HANDLING PROCEDURES

CURRENT FLOW INTO THIS TERMINAL FOR INCREASING SENSOR OUTPUT >2.5 VDC



NOTES:

- HARNESS:  
 WIRE LENGTHS 15" NOMINAL  
 ALL CONDUCTORS M22759/11, 22 AWG  
 RED = V+  
 BLACK = RTN  
 WHITE (2 EA) AUX COM-NO  
 PURPLE = TRIP DISABLE/PROGRAM TIME DELAY  
 ORANGE = CONNECT TO V+ FOR TRIP SENSING AND CURRENT SENSING  
 BROWN = CURRENT SENSE OUTPUT  
 BLUE = Rx  
 YELLOW = Rx

METRIC DIMENSIONS FOR REFERENCE ONLY

WEIGHT: 500 GRAMS MAX

SEE PRODUCT DATA SHEET FOR PERFORMANCE SPECIFICATIONS

THIS DRAWING IS A CONTROLLED DOCUMENT.		DWN	30DEC2016	TE Connectivity NAME KCS03X SERIES CONTACTOR, SPST-NO, 600A	
DIMENSIONS:		CHK	30DEC2016		
IN	TOLERANCES UNLESS OTHERWISE SPECIFIED:	APVD	30DEC2016		
0 PLC ±- 1 PLC ±- 2 PLC ±.03 3 PLC ± 4 PLC ±- ANGLES ±1		MP	MP		
MATERIAL		PRODUCT SPEC	-	SIZE	A3
-		FINISH	-	CAGE CODE	18741
		WEIGHT	-	DRAWING NO	©-KCS03X_SERIES
		CUSTOMER DRAWING		RESTRICTED TO	-
		SCALE	1:2	SHEET	1 OF 1
				REV	A