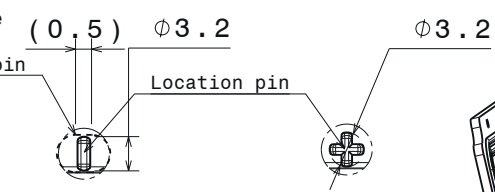
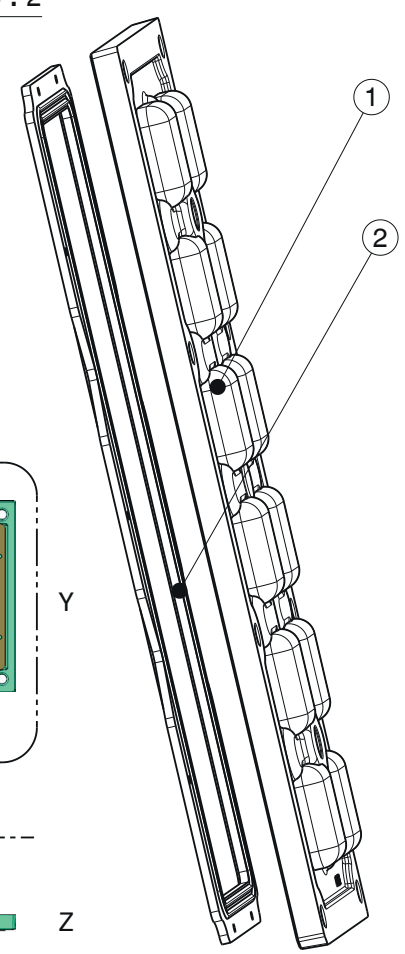
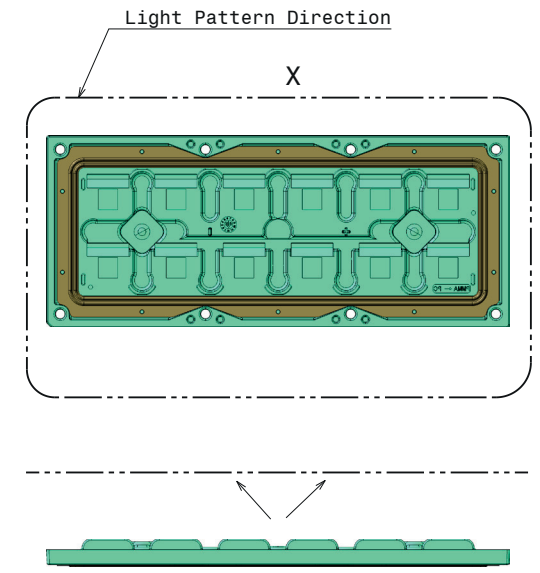


Elongated hole shape recommended for minus location pin



Detail A  
Scale: 2:1

Detail B  
Scale: 2:1



- Notes**
- PCB level
  - Heat sink level
  - Led location
- For more details about compatible LEDs please check measured results on [www.ledil.com](http://www.ledil.com) and 3D model for more detailed mechanical information  
See installation details page 2.

COMPONENTS				
INDEX	PRODUCT	TYPE	MATERIAL	COLOUR/COATING
1	C16396_STRADA-IP-2X6-T2-C-90-PC	LENS	PMMA	CLEAR
2	C14018_2X6-SEAL25	SEAL	SILICONE	WHITE

MECHANICAL DRAWING		<b>LEDiL<sup>®</sup></b>	
PRODUCT CS16397_STRADA-IP-2X6-T2-C-90-PC		FIRST ANGLE PROJECTION: 	
Plastic moulding general tolerances according to DIN 16901-130 and applies if not otherwise shown in the drawing. Silicone moulding general tolerances according to ISO 3302-1 Class M3 and applies if not otherwise shown in the drawing.			
SCALE	1:2	SIZE	A3
SHEET		1/2	

H G F E D C B A

4

3

2

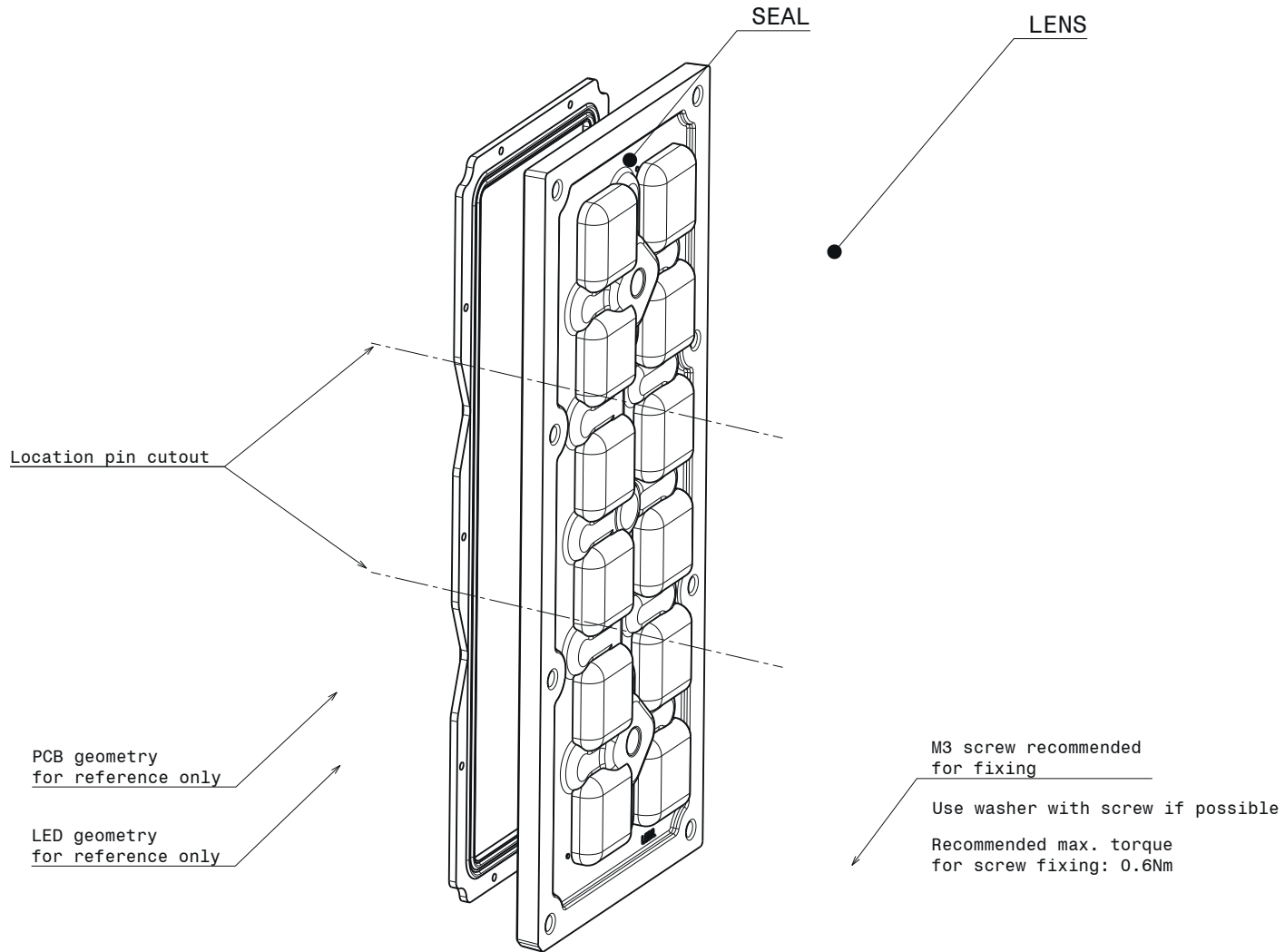
1

4

3

2

1



**Notes**

For more details about installation please see LEDiL Installation Guide on [www.ledil.com](http://www.ledil.com)

<b>MECHANICAL DRAWING</b>		<b>LEDiL<sup>®</sup></b>			
PRODUCT CS16397_STRADA-IP-2X6-T2-C-90-PC					
Tolerances if not otherwise shown According to DIN ISO 2768-1 Linear measures: Up to 30mm class M, otherwise class C. According to DIN ISO 2768-2 Form and position: class L	FIRST ANGLE PROJECTION: 	This drawing is the property of LEDiL Oy. It may not be reproduced, copied or communicated without a written agreement with LEDiL Oy.			
SCALE	1:1	SIZE	A3	SHEET	2/2

H G B A