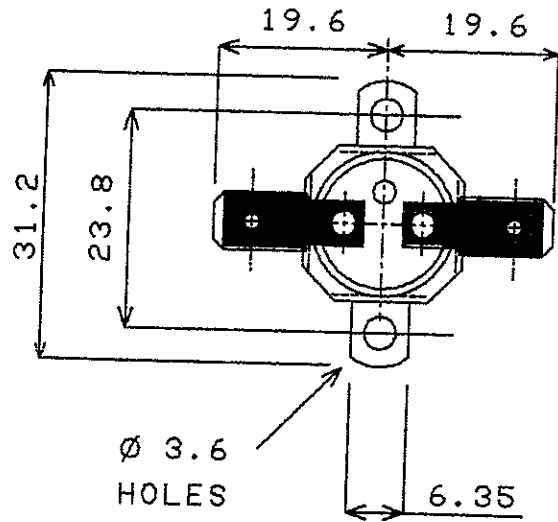
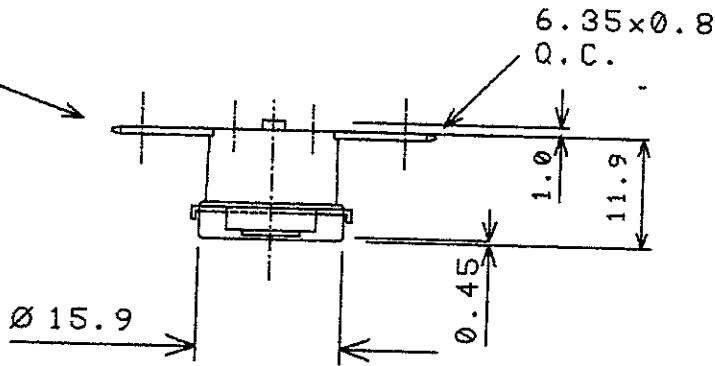


NOT SCALE ALL DIMENSIONS ARE FOR REFERENCE ONLY



6.35x0.8  
Q.C.



OPERATING CRITERIA

VOLTS; 250      AMPS; 10      HZ; 50/60

OPERATING TEMPS. DEG.C

OPEN; 120 ± 4  
CLOSE; 98 ± 6

SEE CONCESSION  
NUMBER 1667  
(PIPPED BASE)

NOTE! ORIENTATION OF BRACKET IS NOT FIXED

CODING REQUIREMENTS

COLOUR; SILVER OR WHITE  
L120C 100 98    XXX

(XXX = DATE CODING)

CAP; B200    MAT'L; ALUMINIUM  
BRK'T; B203S    MAT'L; ST/STEEL  
..... PLATING: .....

TERMINAL; T146	T146
MATERIAL; BRASS	BRASS
PLATING; SILVER	SILVER

ISSUE									
MOD No									
DATE									

ELMWOOD DEVICE & UNIQUE PART No  
2455R 100 98

ELMWOOD DRG No.    ISSUE  
880131



ELMWOOD  
SENSORS LTD

DATE OF ISSUE STAMP  
12 OCT 199