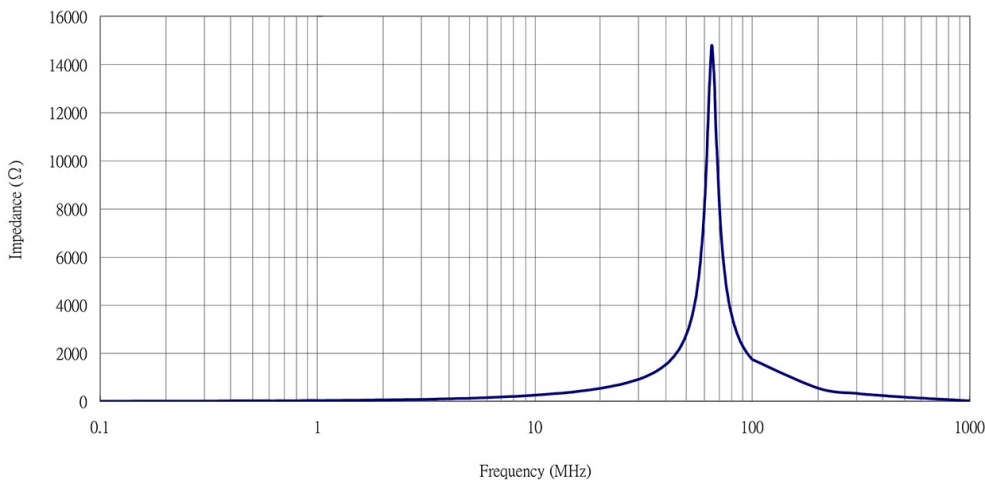


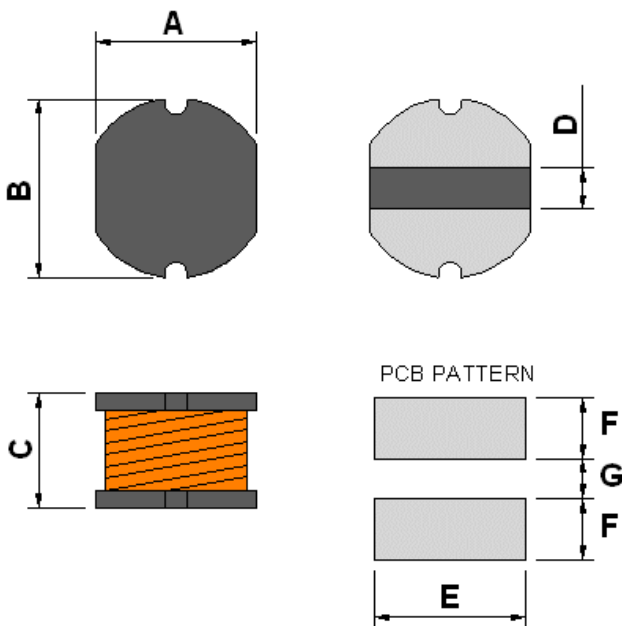
Order Code	TCK-151
Inductance	4.7 μ H \pm 20% (at 100 kHz / 300 mV)
Impedance (DCR)	150 m Ω max.
Rated Current	1.5 A max.
Operating Temperature	-40°C to +125°C
RoHS Exemptions	No Exemptions



Impedance Curve



Outline Dimensions



Dimensions [mm]	
A	3.0 \pm 0.5
B	3.5 \pm 0.5
C	2.1 \pm 0.5
D	1.2 typ.
E	3.6
F	1.7
G	0.8

All specifications valid at +25°C, unless otherwise stated.