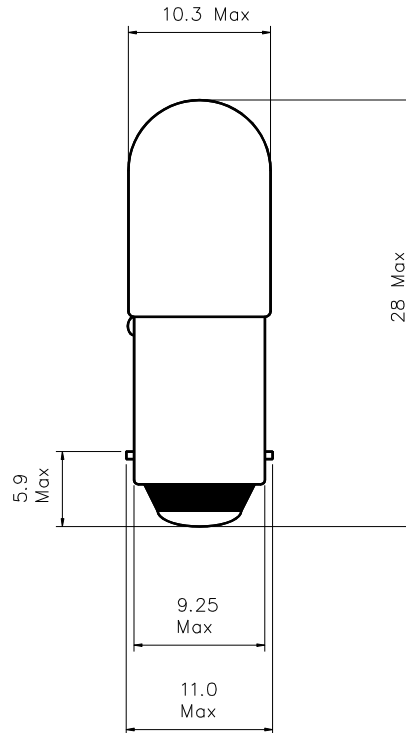


Part Number: W1204

Type	Size	Rating	Description
Incandescent	T10	30V 2W	T-3¼ Miniature Bayonet Lamp



Dimensions in millimetres

TEST VOLTS	CURRENT (mA)			LIGHT OUTPUT (Lm)			LIFE Hours
	Min.	Nom.	Max.	Min.	Nom.	Max.	
30	60	65	74	5	7	9	10,000

Notes:

- | | | |
|---|----------------------------|---|
| 1 | Base Type | BA9s/13 in accordance with IEC61-1, (BS EN 60061-1) sheet 7004-14-x |
| 2 | Filament Shape | C-2F |
| 3 | Lamp Marking | CML 30V 2W |
| 4 | Light Centre Length | 16mm nominal |
| 5 | Bead Colour | White or clear |
| 6 | Environmental | RoHS & REACH SVHC compliant |