

FEATURES

- Able to be used at wide temperature from -25°C to 70°C
- Long life Endurance : 1,000 hours at +70°C
- RoHS directive compliant / No Explosion Safety



APPLICATIONS

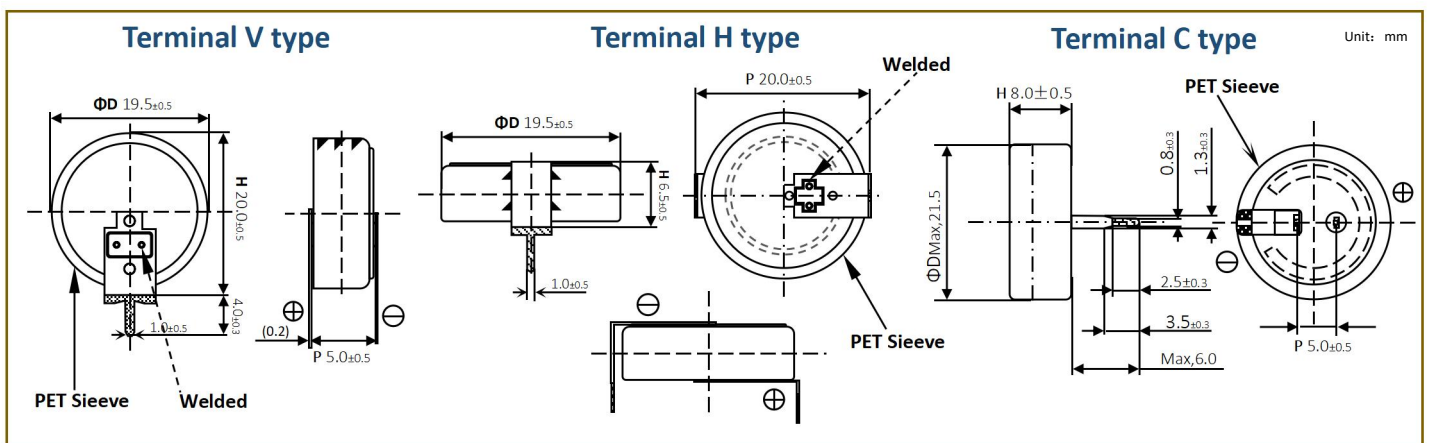
- Memory back-up for Video, Audio, Cameras, CCTV, Printer, Camcorder, Telephones, Car stereo, E-meter, Toy, Computer, Notebook PC, Rice cooker, Home network etc.

PART NUMBER SYSTEM

<u>CE</u>	<u>5R5</u>	<u>474</u>	<u>H</u>	<u>F</u>	<u>*</u>
Series	Rated Voltage	Capacitance	Type	RoHS	Special Code

GENERAL SPECIFICATIONS / DIMENSIONS

Item	Performance					
Operating temperature	-25°C to +70°C					
Capacitance range	0.47F to 5.0F					
Capacitance tolerance	- 20% to + 80% (at 25°C)					
Rated voltage	5.5 VDC					
Nominal capacitance & Resistance	Nominal capacitance (F)	0.47	1.0	1.5	4.0	5.0
	Nominal resistance (Ω)	30	30	30	15	15
Temperature characteristics	Capacitance change: Within ±30% of initial measured value at +25°C Internal resistance: Within ±500% of initial measured value at +25°C					
Endurance (At rated voltage & max. operating temp)	After 1000 hours: Capacitance change: ±30% of initial rated value Internal resistance: Within 4 times of initial specified value					
Shelf life	After 2 years at 25°C without load, the capacitor shall meet the specified endurance limits.					



STANDARD PRODUCTS

Part Number	Working Voltage (V DC)	Rated Cap. (F)	Internal resistance (Ω) at 1 kHz	V type(mm)			H type(mm)			C type(mm)		
				ΦD	H	P	ΦD	H	P	ΦD	H	P
CE 5R5 474 ()	5.5	0.47	≤30	19.5	20.0	5.0	19.5	6.5	20.0	21.5	8.0	5.0
CE 5R5 105 ()	5.5	1.0	≤30	19.5	20.0	5.0	19.5	6.5	20.0	21.5	8.0	5.0
CE 5R5 155 ()	5.5	1.5	≤30	19.5	20.0	5.0	19.5	6.5	20.0	21.5	8.0	5.0
CE 5R5 405 ()	5.5	4.0	≤15	25.0	26.5	7.0	25.0	7.0	26.0	/	/	/
CE 5R5 505 ()	5.5	5.0	≤15	25.0	26.5	7.0	25.0	7.0	26.0	/	/	/