

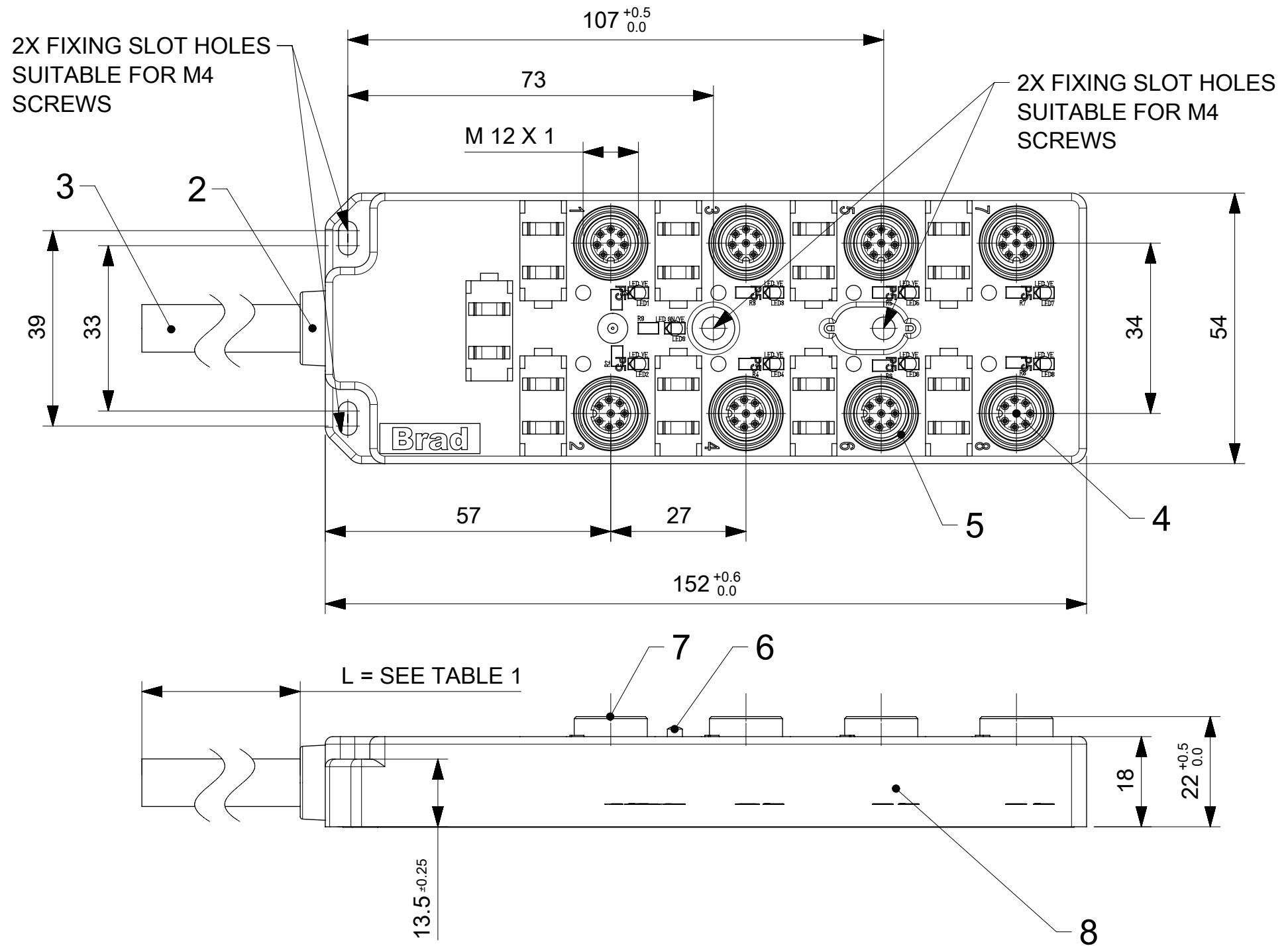
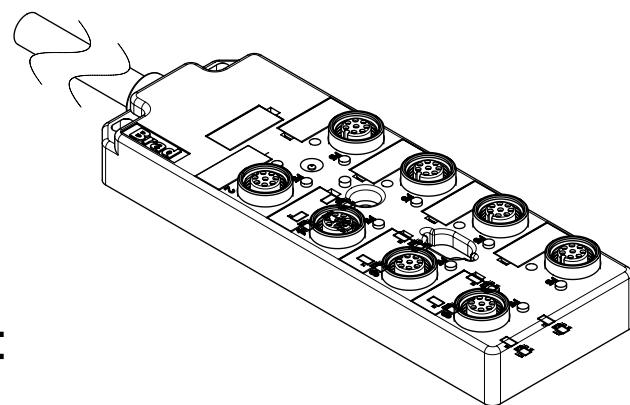
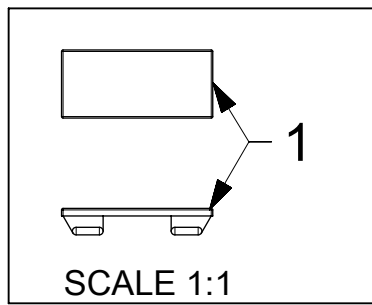
TABLE 1

MOLEX P/N	ENG. NO.	CABLE LENGTH (mm)
1202480510	BTR831P-FBW-05	5000
1202480511	BTR831P-FBW-10	10000
1202480512	BTR831P-FBW-15	15000

TABLE 2: BILL OF MATERIAL

ITEM	DESCRIPTION	MATERIAL	FINISH
1	LABEL	ABS	WHITE
2	CABLE PLATE	PBT	RED
3	CABLE	TPU BASED	BLACK
4	CONTACT	BRONZE	GOLD OVER NICKEL
5	O-RING	FPM	RED
6	SHELL	PA	TRANSPARENT
7	SHELL	BRASS	NICKEL PLATED
8	HOUSING	PBT	RED

PACKED IN BAG (9X)



GENERAL CHARACTERISTICS:

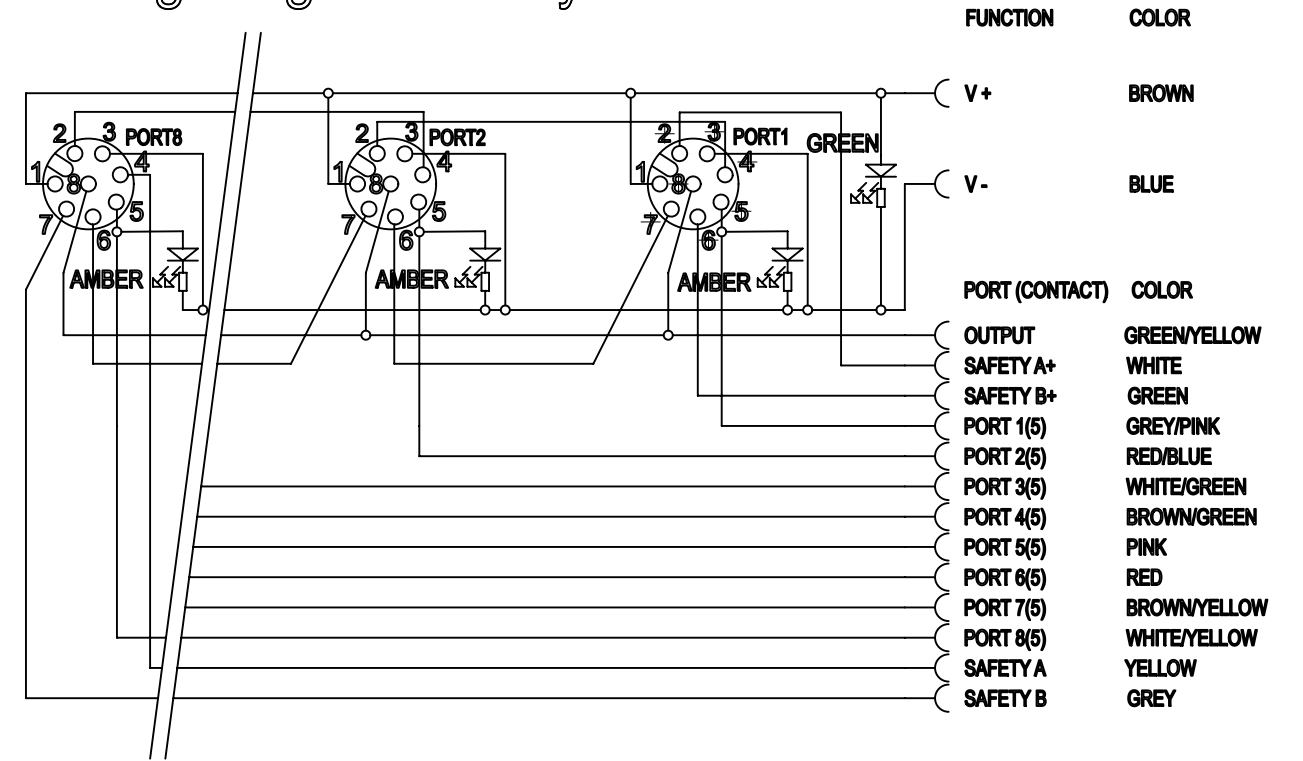
ELECTRICAL AND MECHANICAL DATA ACC. TO IEC 61076-2-101

- NOMINAL VOLTAGE: 10-30 V DC
- AMPERE RATING: 4 A PER PORT / 12 A MAX
- AMPERE RATING WITH UL REGISTRATION: 3 A PER PORT / 9 A MAX
- IP DEGREE OF PROTECTION: IP 67
- TEMPERATURE RANGE: -25°C to + 85°C

THIS DRAWING CONTAINS INFORMATION THAT IS PROPRIETARY TO MOLEX INCORPORATED AND SHOULD NOT BE USED WITHOUT WRITTEN PERMISSION

EC DESCRIPTION EC NO: 104548 DRWN: ULETTENMEIER 2016/04/26 CHK'D: CBRUNS 2016/04/26 APPR: CBRUNS 2016/04/26	QUALITY SYMBOLS	GENERAL TOLERANCES (UNLESS SPECIFIED)	DIMENSION UNITS	SCALE	
	▽ = 0 ∇ = 0 ∇ = 0 ▼ = 0 ∇ = 0 ⊠ = 0 ■ = 0 ▽ = 0	ANGULAR TOL ± ° 4 PLACES ± 3 PLACES ± 2 PLACES ± 1 PLACE ± 0 PLACES ± 0.25	mm	1:1	
		DRAFT WHERE APPLICABLE MUST REMAIN WITHIN DIMENSIONS	DRWN BY	DATE	
			ULETTENMEIER	2015/05/06	
			CHK'D BY	DATE	MPIS M12 SAFETY STA PNP NPN NOS 8P 8PT AC FE STA RD XM SINGLE
			APPR BY	DATE	
			RSILLER	2015/12/23	
			DRAWING SIZE	THIRD ANGLE PROJECTION	PRODUCT CUSTOMER DRAWING SERIES: 120248 MATERIAL NUMBER: SEE TABLE 1 CUSTOMER: GENERAL MARKET
A2	REV		A3		DOCUMENT NUMBER: 1202480510 DOC TYPE: PSD DOC PART: 000 SHEET NUMBER: 1 OF 2

Wiring Diagram Safety Wired



THIS DRAWING CONTAINS INFORMATION THAT IS PROPRIETARY TO MOLEX INCORPORATED AND SHOULD NOT BE USED WITHOUT WRITTEN PERMISSION												
QUALITY SYMBOLS ▽ = 0 ▽ = 0 ▽ = 0 ▼ = 0 ▽ = 0 ☒ = 0 ■ = 0 ▽ = 0	EC DESCRIPTION EC NO: 104548 DRWN: ULETTENMEIER CHK'D: CBRUNS APPR: CBRUNS			GENERAL TOLERANCES (UNLESS SPECIFIED) ANGULAR TOL ± ° 4 PLACES ± 3 PLACES ± 2 PLACES ± 1 PLACE ± 0 PLACES ± 0.25		DIMENSION UNITS: mm SCALE:				MPIS M12 SAFETY STA PNP NPN NOS 8P 8PT AC FE STA RD XM SINGLE		
	DRWN BY: ULETTENMEIER DATE: 2016/04/26		CHECK'D BY: CBRUNS DATE: 2016/04/26		DRWN BY: ULETTENMEIER DATE: 2015/05/06		CHECK'D BY:					
	EC NO: 104548 DRWN: ULETTENMEIER CHK'D: CBRUNS APPR: CBRUNS		DRAFT WHERE APPLICABLE MUST REMAIN WITHIN DIMENSIONS		APPR BY: RSILLER DATE: 2015/12/23		PRODUCT CUSTOMER DRAWING		SERIES: 120248 MATERIAL NUMBER:		CUSTOMER: GENERAL MARKET	
	EC NO: 104548 DRWN: ULETTENMEIER CHK'D: CBRUNS APPR: CBRUNS		DRAFT WHERE APPLICABLE MUST REMAIN WITHIN DIMENSIONS		DRAWING SIZE: A3 THIRD ANGLE PROJECTION:		DOCUMENT NUMBER: 1202480510 DOC TYPE: PSD		DOC PART: 000 SHEET NUMBER: 2 OF 2			